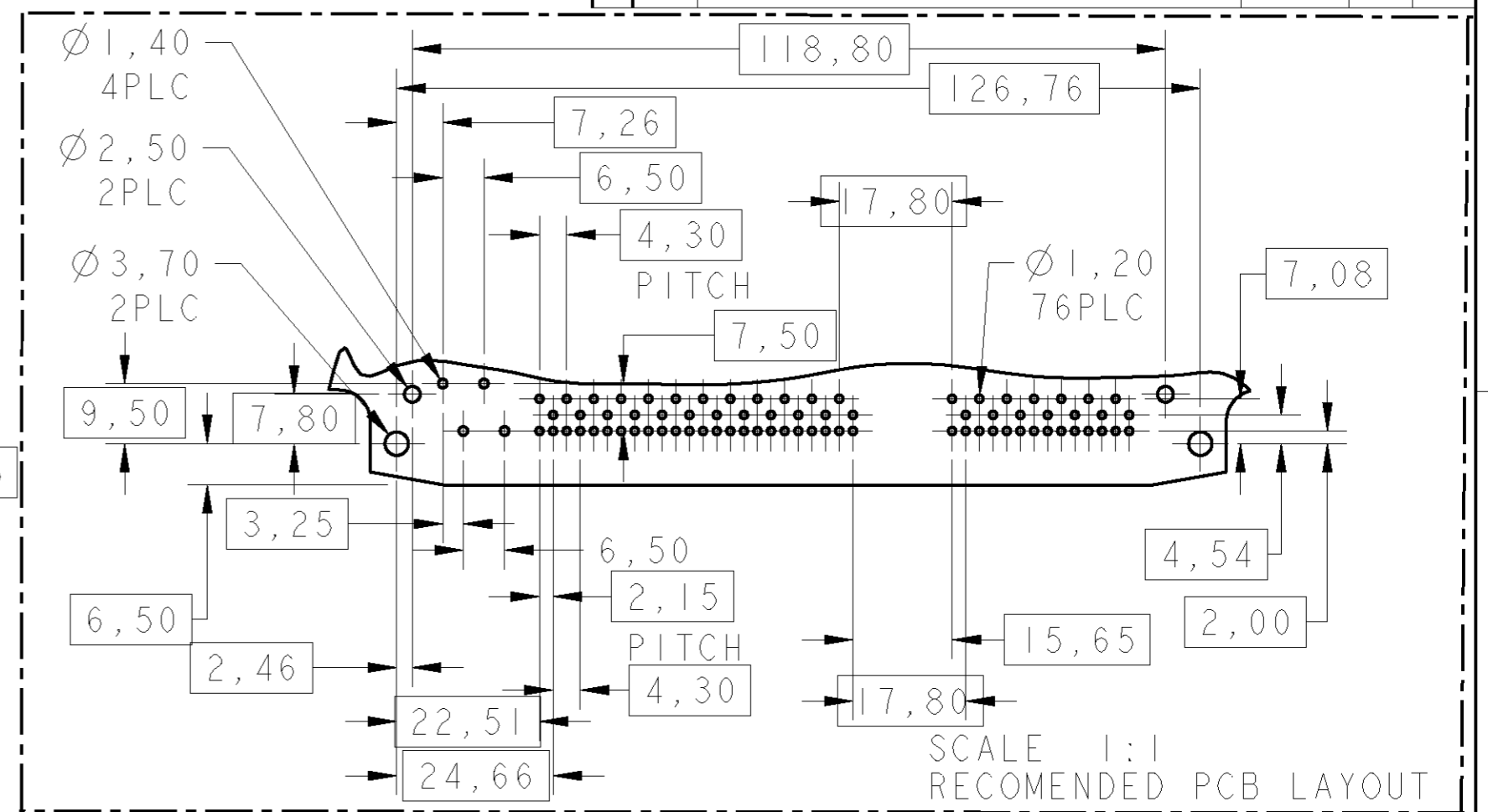
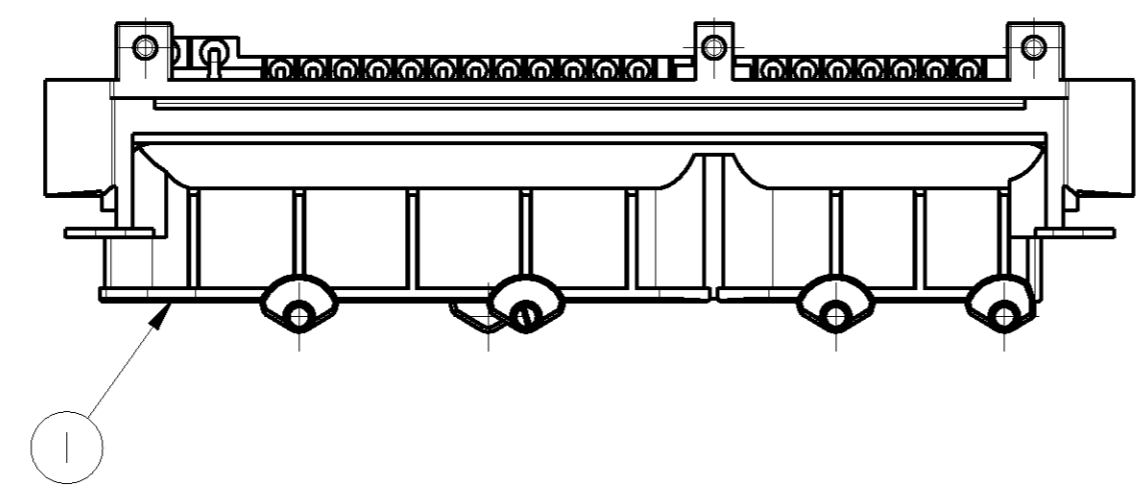
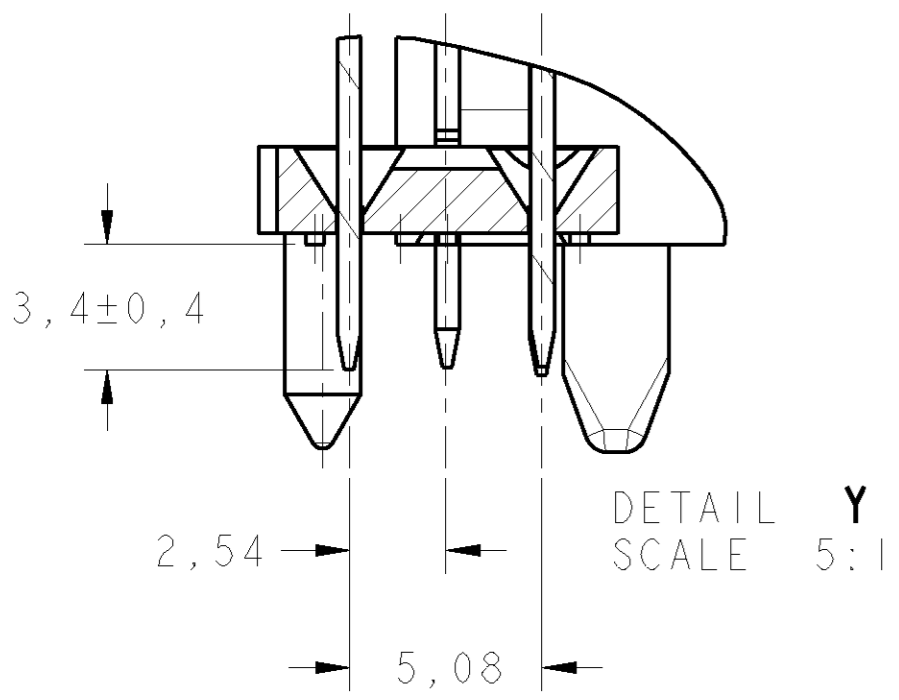
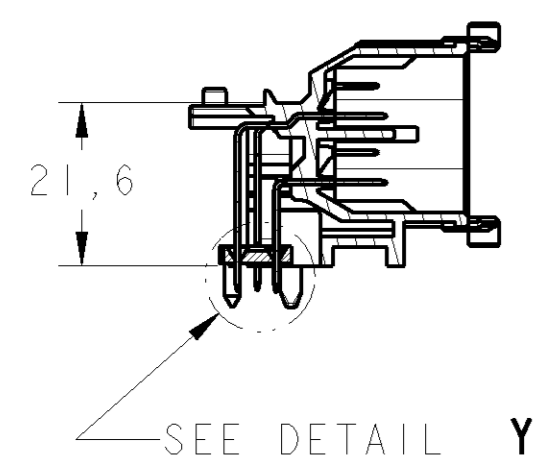


THIS DRAWING IS UNPUBLISHED. RELEASED FOR PUBLICATION
 © COPYRIGHT 20 BY TYCO ELECTRONICS CORPORATION. ALL RIGHTS RESERVED.

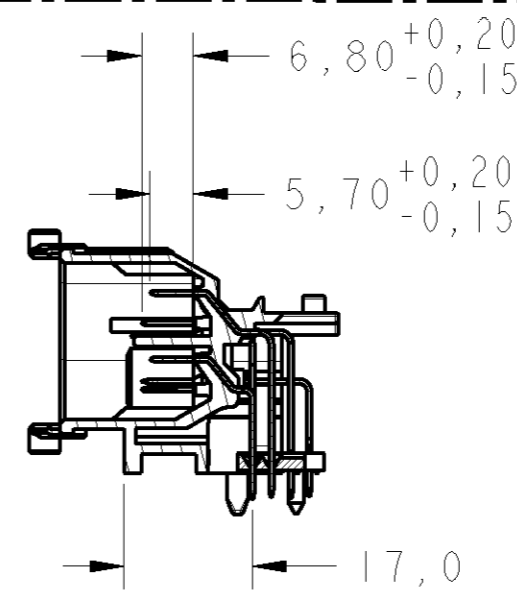
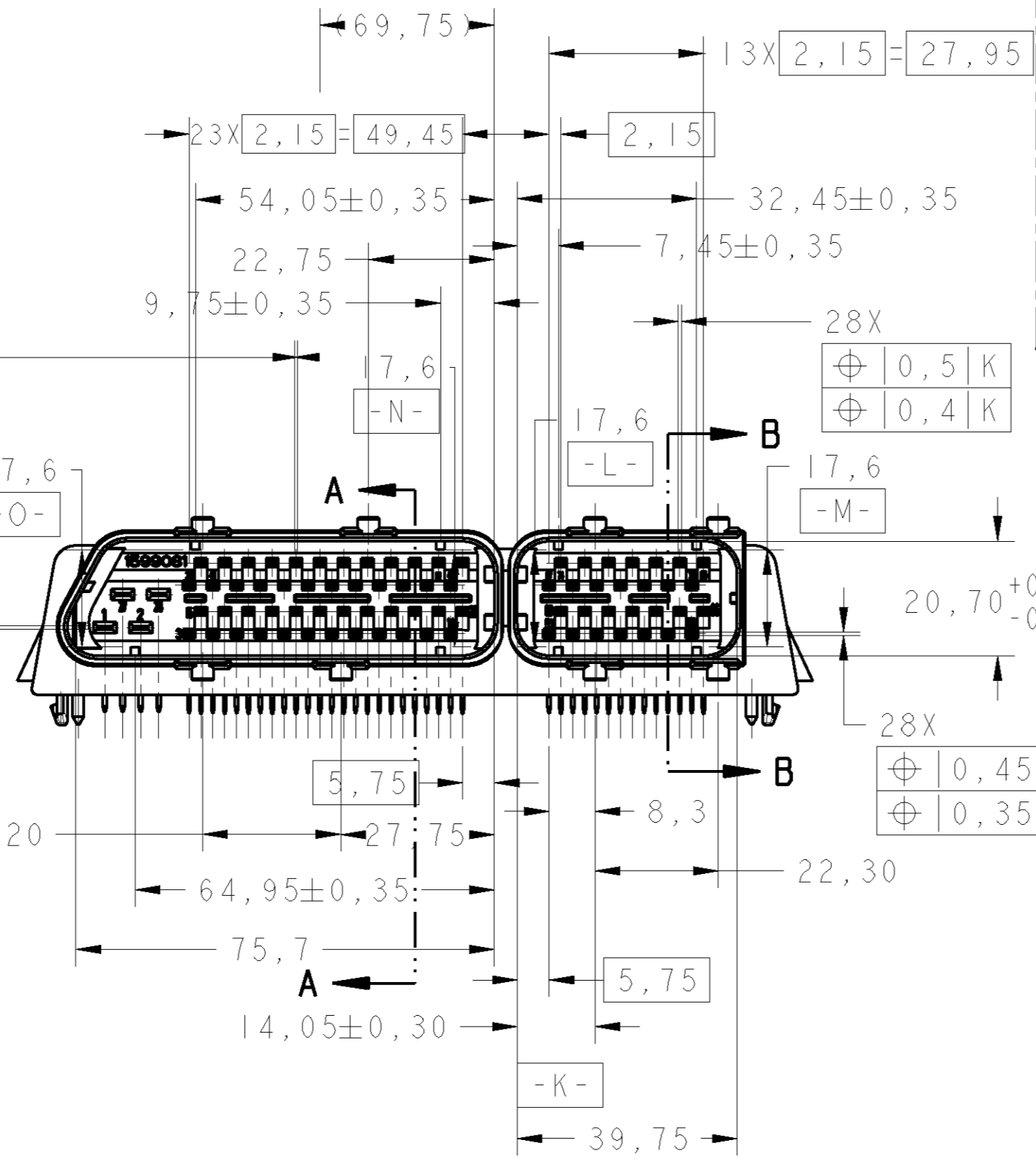
LOC	DIST	REVISIONS			
P	LTR	DESCRIPTION	DATE	DWN	APVD
AP	-				
0		RELEASED LE10-0358/04	18OCT2008	NCL	PLF
A		REVISED BY LE10-0396/04	11/NOV/2004	JOF	PLF
AI		REVISED BY ECO-08-022178	11SEP2008	NCL	WAO



SECTION B-B

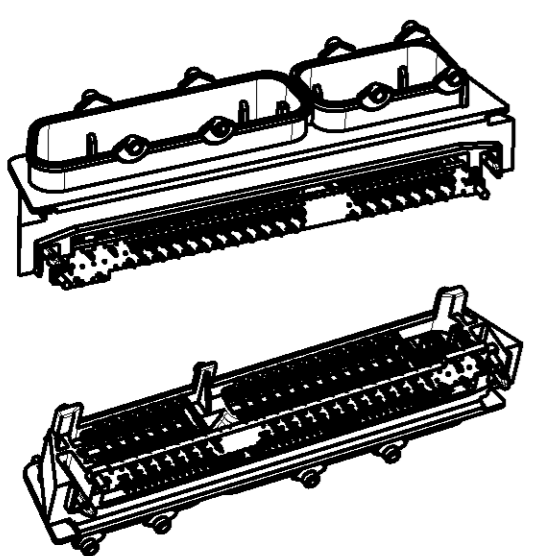


52X	⊕ 0,5	C
52X	⊕ 0,4	C
52X	⊕ 0,45	N O
52X	⊕ 0,35	N O

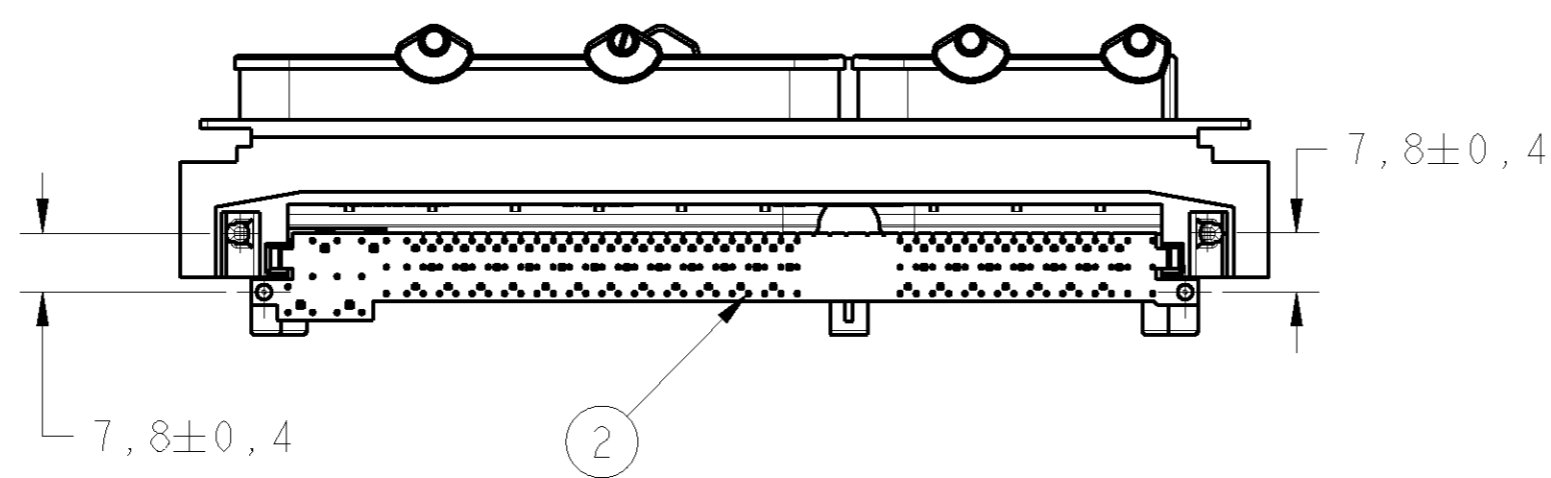


SECTION A-A

GRAVAÇÕES MARKINGS	
LOGOTIPO TE	TE LOGO
CÓDIGO PAÍS PRODUTOR	MANUFACTURER COUNTRY CODE
NOMENCLATURA MATERIAL	MATERIAL NOMENCLATURE
NÚMERO COMPONENTE TE	TE COMPONENT NUMBER
NÚMERO CAVIDADE	CAVITY NUMBER
IDENTIFICAÇÃO CIRCUITO	CIRCUIT IDENTIFICATION
PAÍS PRODUTOR	MANUFACTURER COUNTRY
REV+ LETRA REV.DA PEÇA	REV.+ PART REV.LETTER
DATADOR	DATE CODE



PERSPECTIVE VIEWS
SCALE 1:2



REQ. PER ASSY	ITEM	DESCRIPTION	MATERIAL	FINISH
1	2	PIN GUIDE 80 POSN. HOUSING, OVER MOLDED	PBT+GF30 PA66+GF30	AMARELO/YELLOW PRETO/BLACK
8-1393476-0				

DIMENSIONS: mm		TOLERANCES UNLESS OTHERWISE SPECIFIED:		DWN NCLAPRESSA 18OCT2004	Tyco Electronics TYCO ELECTRONICS Brasil LTDA. Sao Paulo, Brasil
0 PLC ±		1 PLC ±0,3		CHK PLEARIA 18OCT2004	
2 PLC ±0,2		3 PLC ±		APVD MRODRIGUES 18OCT2004	
4 PLC ±		ANGLES ±30'		PRODUCT SPEC	
MATERIAL SEE TABLE		FINISH SEE TABLE		APPLICATION SPEC	NAME 80 POSN., PIN HEADER WITH PIN GUIDE
WEIGHT -		CUSTOMER DRAWING		SIZE A2	CAGE CODE 00779
SCALE		SHEET OF		DRAWING NO. C-8-1393476-0	RESTRICTED TO