

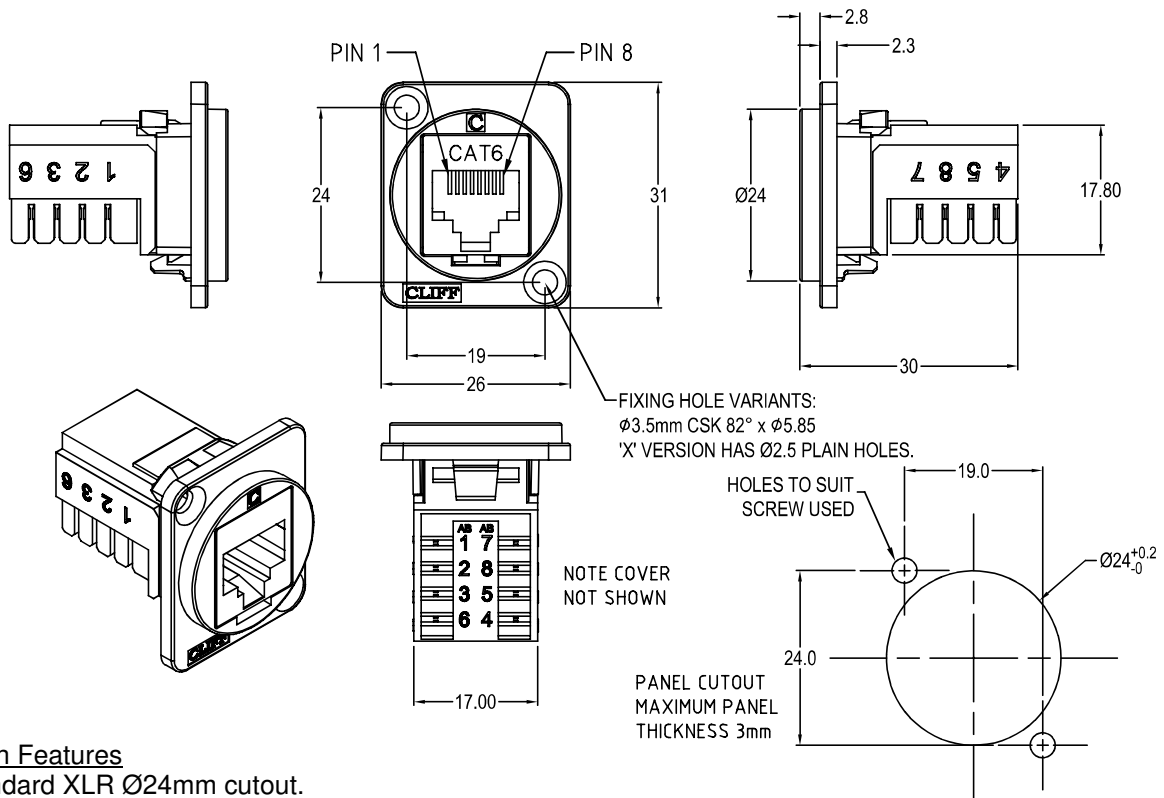
# CLIFF

## CAT6 IDC FEEDTHROUGH CONNECTOR



**CP30227** - Cat6 IDC Black plastic frame, CSK holes

**CP30227X** - Cat6 IDC Black plastic frame, PLAIN holes



### Feedthrough Features

- Fits standard XLR Ø24mm cutout.
- No soldering or punch termination. Use standard cable for each connector style.
- Front or rear mounted.
- Low rear profile

### General:

Please note: Functionality is affected by cable quality, length and cable wiring configuration.

### Material:

1. RJ45 / IDC / Cover : PC
2. RJ45: Phosphor Bronze, gold plated
3. IDC: Phosphor Bronze, nickel plated
4. PCB: FR4
5. Frame: Polyamide UL94V-2

### Performance:

1. T568A + T568B wiring.