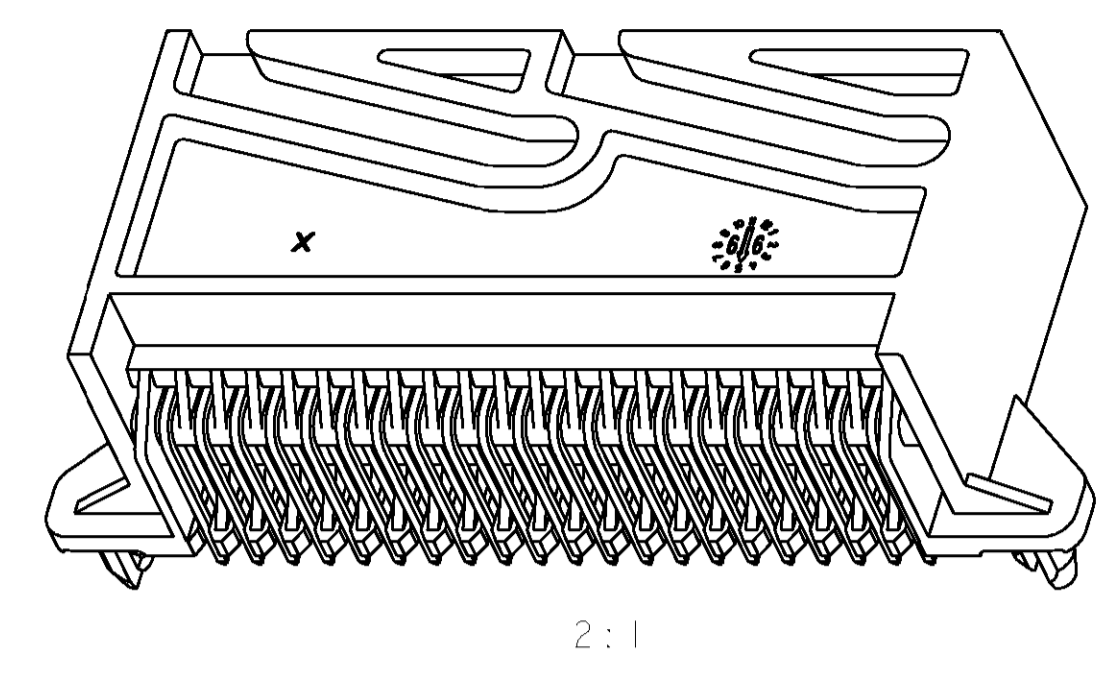
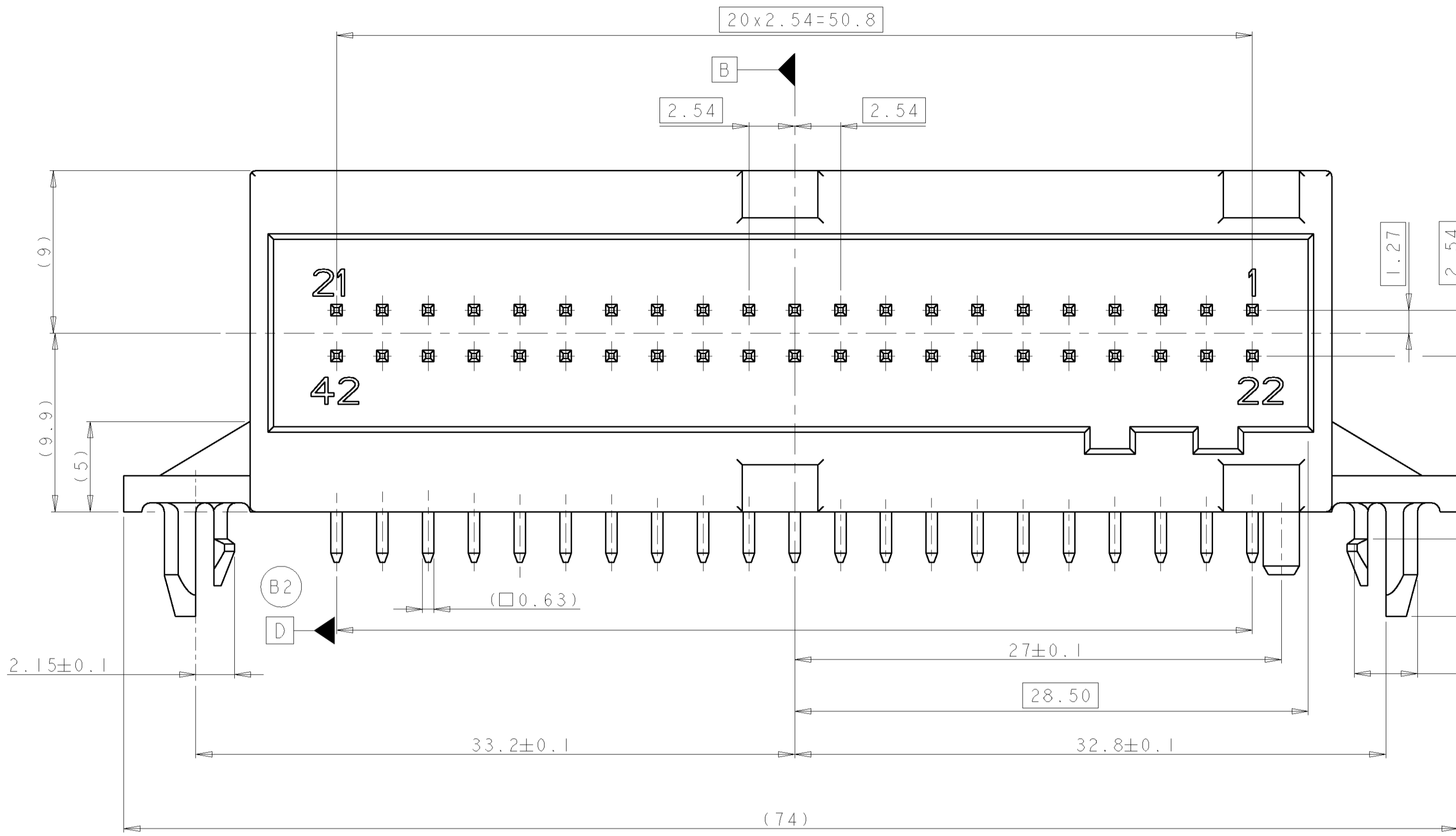


PROJEKT NO.
 A98-52144
 B909525

LOC		DIST		REVISIONS				
A				P. LTR	DESCRIPTION	DATE	DWN	APVD
				D	SEE PCN EGO0-2700-02	19AUG2002	H. M.	T. K.
				D1	SEEE PCN EGA0-0540-03	03MAR2004	HSCH	VB

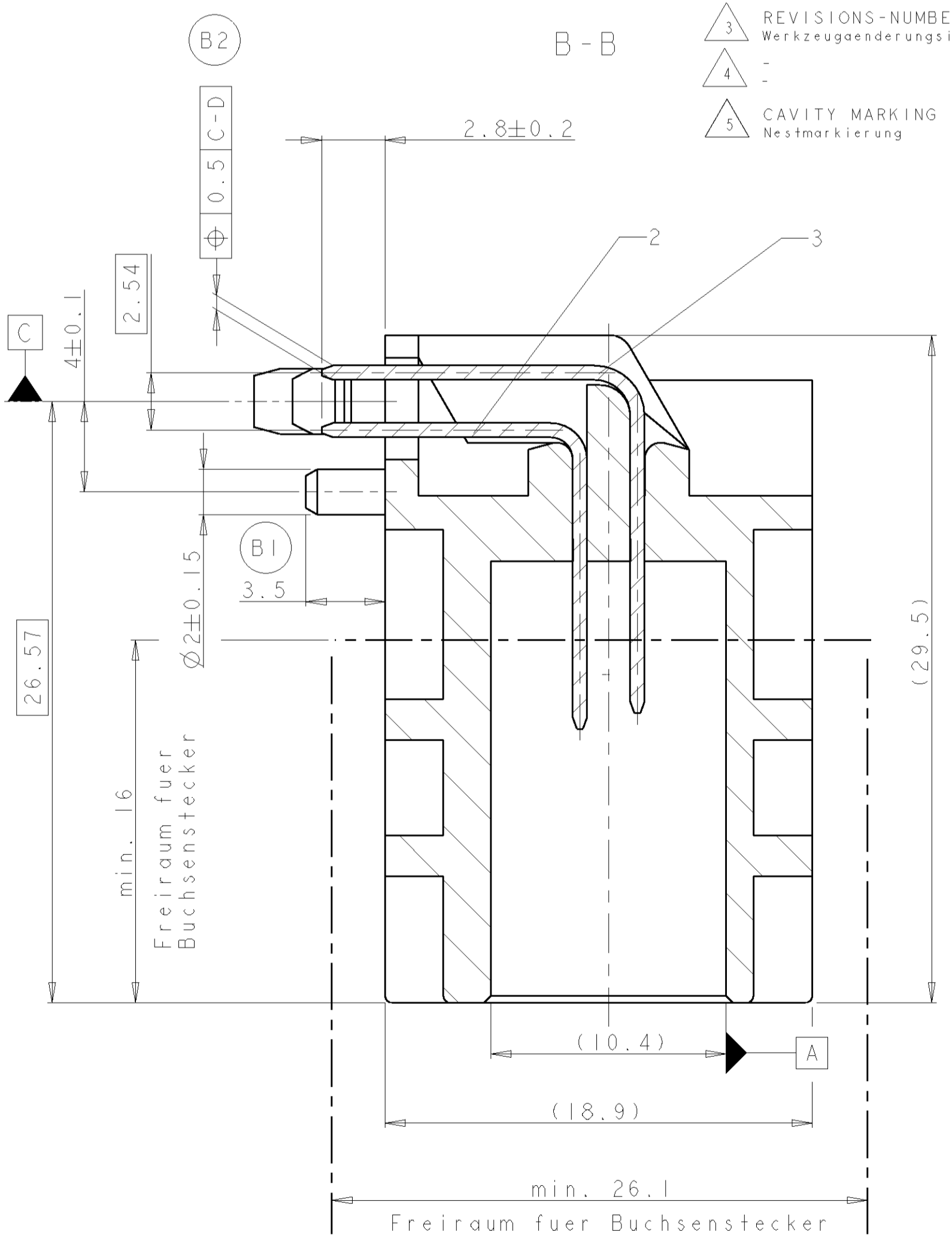
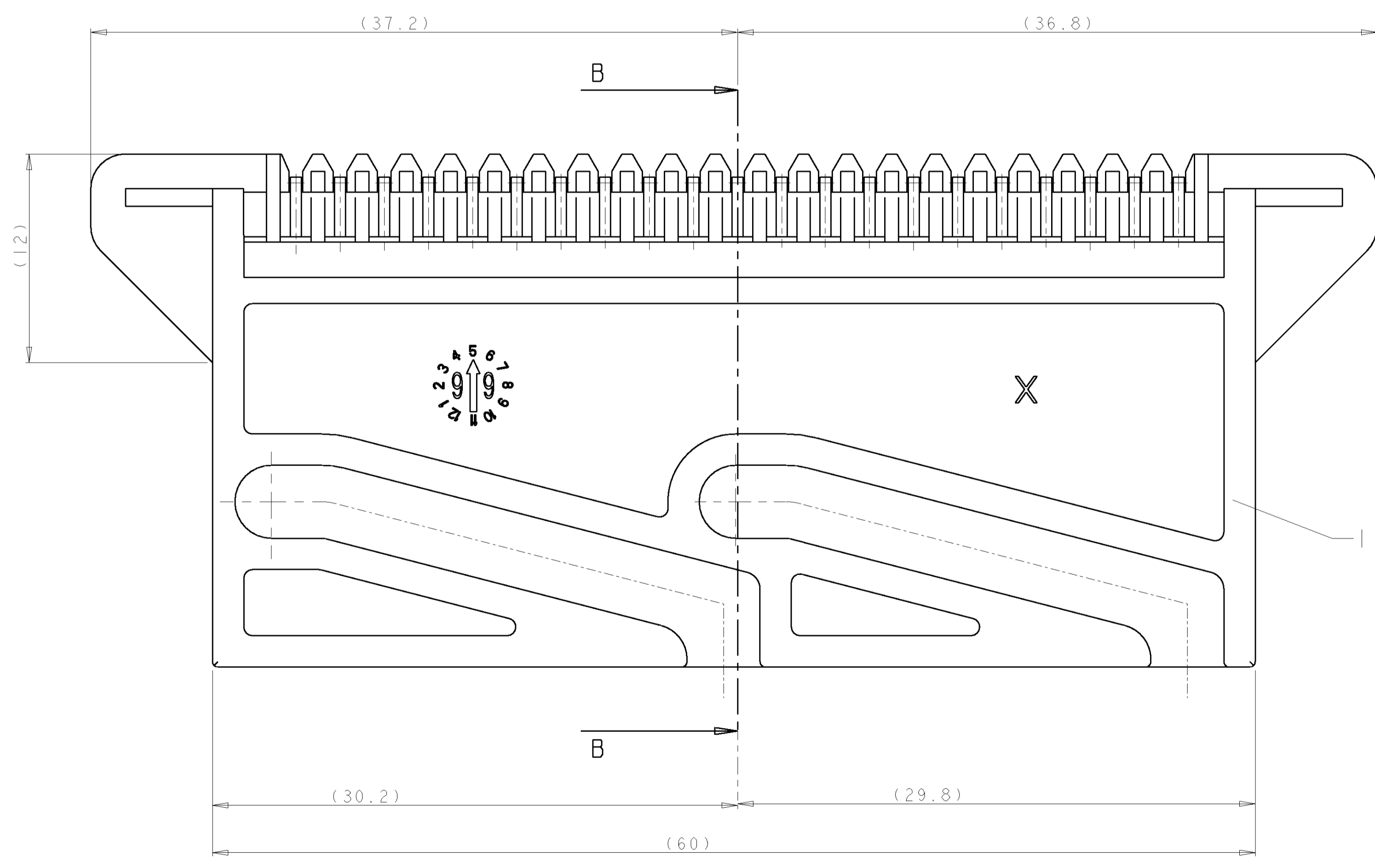


2:1

GEGENSTECKER COUNTERPARTS		
0-1355543-1	1	COVER WITH SLIDE, 180° CABLEOUTLET, CODING A
0-1241727-1	1	MOS-RECEPTACLE HOUSING, 42POS
AMP BESTELL-NR.	STK.	BENENNUNG
AMP ORDER NO.	QTY.	DESCRIPTION

NOTES

- Bemerkungen
- 1 AMP-LOGO
 - 2 AMP-Logo
 - 3 ORDER-NUMBER
 - 4 Bestell-Nummer
 - 5 REVISIONS-NUMBER
 - 6 Werkzeugaenderungsindex
 - 7
 - 8 CAVITY MARKING
 - 9 Nestmarkierung
 - 6
 - 7 PACKING IN LAYERS IN CARTON
 - 8 Lagenverpackung in Karton
 - 9 MATERIAL MARKING
 - 10 Werkstoffkennzeichnung
 - 9 PRODUCTION-DATE
 - 10 Produktions-Datum
 - D1
 - 10 PACKING IN PLASTIC TRAY (CUSTOMER RESTRICTED)
 - Verpackt in Kunststofftray (Kundenbeschaenkt)



PART NO.	REV.	DESCRIPTION	QTY.	MATERIAL	SURFACE	ITEM	PART NO.	REV.	DESCRIPTION	QTY.	MATERIAL	SURFACE	ITEM	MATERIAL	FINISH	WEIGHT	SCALE	SHEET	OF	REV.
Bestell-Nr.		Beschreibung	Stck.		COLOR	NO.	Bestell-Nr.		Beschreibung	Stck.		COLOR	NO.		g					
1-1355591-1	D	AMP MODU II PIN	21	CuMg	TIN PLATED	3	0-1355591-1	D	AMP MODU II PIN	21	⊕ CuMg	TIN PLATED	3			17,9 g	5:1	1	1	D1
		AMP MODU II PIN	21	CuMg	TIN PLATED	2			AMP MODU II PIN	21	⊕ CuMg	TIN PLATED	2							
		PIN HEADER 42POS., 90°	1	PA6 (GB20+GF10)	BLACK	1			PIN HEADER 42POS., 90°	1	PA6 (GB20+GF10)	BLACK	1							