

PART NUMBER	REVISION	DESCRIPTION	FEED TYPE
2150458-1	B	FINE CRIMP HEIGHT ADJUST	MECHANICAL
2150458-2	B	FINE CRIMP HEIGHT ADJUST	PNEUMATIC
7-2150458-1	B	MECHANICAL AND CRIMP TOOLING KIT	MECHANICAL
7-2150458-2	B	PNEUMATIC AND CRIMP TOOLING KIT	PNEUMATIC
7-2150458-7	A	CRIMP TOOLING KIT	-

ATLANTIC VERSION TERMINATOR INTERFACE ADAPTER



APPLICATOR DATA		
CRIMP	SIZE	TYPE
WIRE	1.78 mm [.070]	F
INSUL	2.79 mm [.110]	O
APPLICATOR INSTRUCTIONS 408-35043		

TERMINAL DATA: TE TERMINAL		TE CRIMP SPECIFICATION	
TERMINAL NAME: MINIATURE FASTIN-FASTON .110 SERIES			
WIRE STRIP LENGTH		INSULATION DIAMETER RANGE	
3.90-4.70 mm [.154-.185 IN]		∅2.03-3.05 mm [.080-.120 IN]	
TERMINAL APPLICATION SPECIFICATION	114-3118		
TERMINALS APPLIED			
TE TERMINAL	TE TERMINAL	TE TERMINAL	TE TERMINAL
150572-2	151648-3	151648-7	151648-9
1-151648-0	152360		

WIRE SIZE	CRIMP HEIGHT mm [INCH]	CRIMP HEIGHT REFERENCE SETTING
1.00mm2	1.40 +/- 0.05 [.055 +/- .002]	7.0
0.75mm2	1.27 +/- 0.05 [.050 +/- .002]	8.2
0.50mm2	1.17 +/- 0.05 [.046 +/- .002]	9.3

- 1 RECOMMENDED SPARE PARTS
- 2 REFER TO SUPPLIED INSTRUCTION SHEET FOR CLEANING, LUBRICATION AND STORAGE OF APPLICATOR.
- 3 APPLY PART NUMBER 2-23419-6 LOCTITE TO THREADS OF ITEM 242. APPLY PART NUMBER 1-23419-5 LOCTITE TO THREADS OF ITEM 180.
- 4 CRIMP HEIGHT REFERENCE SETTING WAS THE SETTING USED WHEN THE APPLICATOR WAS QUALIFIED AT THE FACTORY. ADJUSTMENT MAY BE NECESSARY WHEN RUNNING APPLICATOR IN THE FIELD.
- 5. UNLESS SPECIFIED OTHERWISE TORQUE VALUES SHALL BE USED PER DOCUMENT, 101-35000.

***WARNING**
ON INSTALLATION, SET WIRE DISC TO CRIMP HEIGHT REFERENCE SETTING FOR LARGEST WIRE SIZE. CRIMP HEIGHT REFERENCE SETTINGS GREATER THAN THE VALUE SHOWN MAY CAUSE DAMAGE TO THE CRIMP TOOLING. REFER TO THE INSTRUCTION SHEET FOR PROPER SETUP AND ADJUSTMENTS.

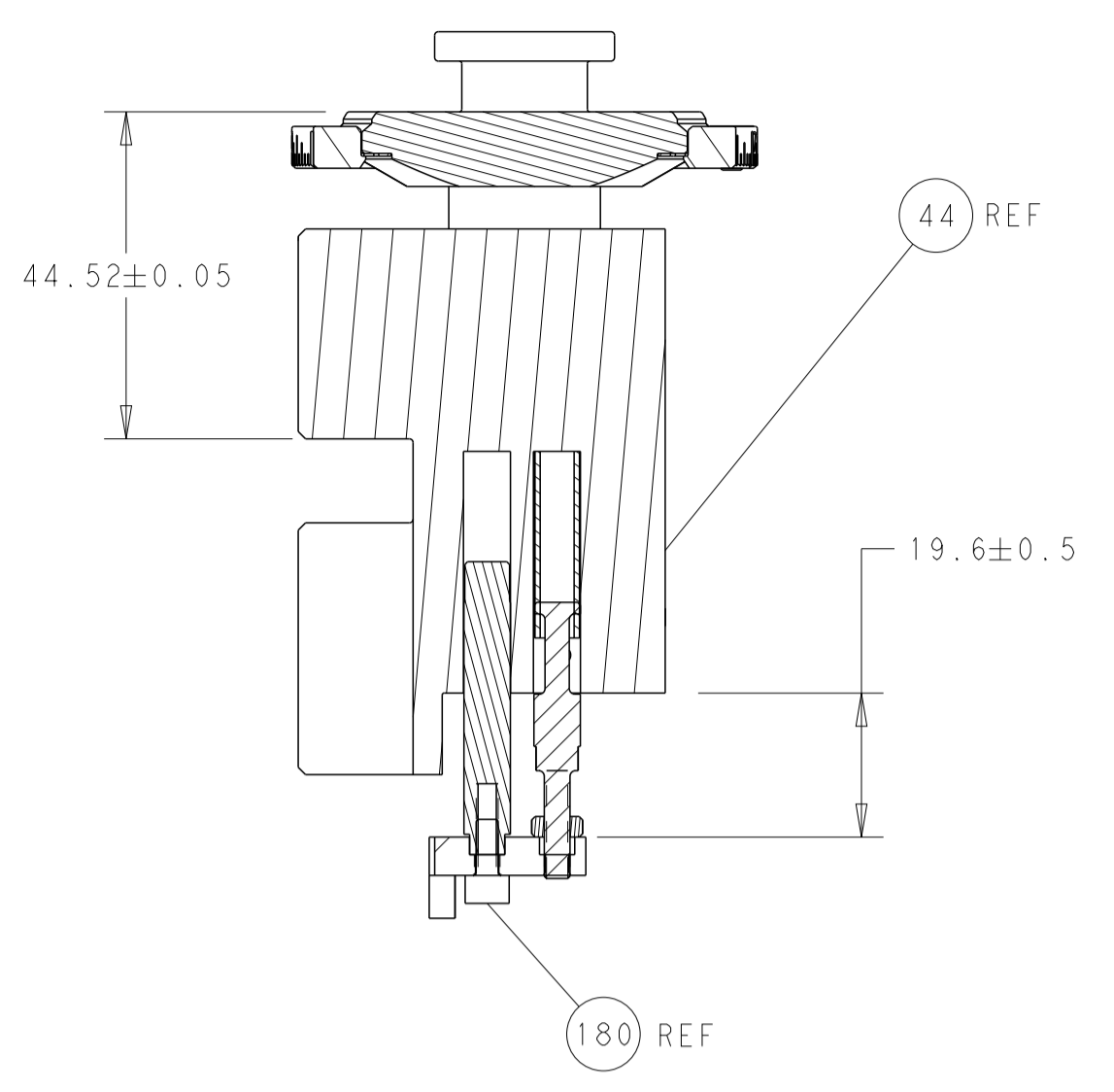
ATLANTIC VERSION
Shown on sheets 1 of 4 & 2 of 4
(Pacific version shown on sheets 3 of 4 & 4 of 4)

LOC	DIST	REVISIONS					
A	66	P	LTN	DESCRIPTION	DATE	DWN	APVD
		A		RELEASED	31OCT2014	RK	TE
		B		ECR-19-005958	12APR2019	TB	CT

-	1	-	1	-	2119640-1	PUSH ROD, AIR FEED	250	
-	1	-	1	-	1803259-1	BUSHING, FLANGED	249	
-	1	-	1	-	2119641-1	FEED CAM, AIR FEED	248	
-	1	1	1	1	2119082-4	CAM, SNAIL, INSULATION ADJUSTMENT	244	
-	1	1	1	1	2079764-1	WASHER, WAVE SPRING, CREST-TO-CREST	243	
3	-	1	1	1	2119083-1	RETAINER, INSULATION DIAL	242	
-	-	1	-	1	2119580-1	MECHANICAL FEED ASSEMBLY	239	
-	1	-	1	-	2063440-1	AIR FEED MODULE	238	
3	-	1	1	1	4-1752354-1	STANDOFF, HOLD-DOWN	180	
-	1	1	1	1	6-993111-6	PIN, SLOTTED SPRING 3.0 X 14.0	177	
-	1	1	1	1	8-22280-7	SPRING, COMPRESSION	176	
-	1	1	1	1	1752353-2	GUIDE PIN, HOLDDOWN	175	
-	1	1	1	1	1901680-2	GUIDE PIN, HOLDDOWN	174	
-	2	-	2	-	21045-3	RING, RETAIN, EXTERN, 3/16 CRESCENT	172	
-	REF	REF	REF	REF	994970-2	COUNTER, MAGNETIC	164	
-	1	-	1	-	240638-1	SPRING, FEED FINGER	163	
-	1	-	1	-	3-23627-7	PIN, RETAIN, GRVD, 3/16 X .854	137	
-	1	1	1	1	455888-5	SPACER, CRIMPER	82	
-	1	1	1	1	2119791-9	DEPRESSOR, WIRE	73	
-	1	1	1	1	1803607-2	DOCUMENTATION PACKAGE	71	
-	2	2	2	2	2-18032-2	SCR, SET, FLT PNT, M3 X 10.0	70	
-	1	1	1	1	1803203-1	BLOCK, FRONT DEPRESSOR	69	
-	1	1	1	1	2119740-1	TAG, IDENTIFICATION	67	
-	2	2	2	2	2168078-1	SCREW, DRIVE, RH, RoHS, 2 x .188	66	
-	1	1	1	1	1-1901681-8	HOLDDOWN, TERMINAL	65	
-	2	2	2	2	2168400-8	SHCS, LOW HEAD, RoHS, M4 X 16	64	
-	1	1	1	1	2168083-2	SCR, SKT HD CAP, RoHS, M4 X 8.0	60	
-	-	1	-	1	5-18022-5	SCR, HEX HD CAP, M4 X 6.0	59	
-	-	1	-	1	2063961-1	FEED FINGER	58	
-	3	3	3	3	2168400-4	SHCS, LOW HEAD, RoHS, M4 X 8	57	
-	2	2	2	2	2168083-2	SCR, SKT HD CAP, RoHS, M4 X 8.0	56	
-	2	2	2	2	5018030-1	NUT, HEX, REG, RoHS, M3	54	
-	2	2	2	2	986965-8	NUT, LOCK, HEX, TORQUE (M4)	53	
-	1	1	1	1	1-5018030-0	NUT, HEX, REG, RoHS, M3.5	52	
-	1	-	1	-	2119792-2	PAWL, EF, AIR	51	
-	1	2	1	2	18023-9	SCR, SKT HD CAP M4 X 6.0	49	
-	-	1	-	1	2119652-1	FEED CAM, PRE FEED	48	
-	-	1	-	1	2119653-1	FEED CAM, POST FEED	47	
-	1	1	1	1	2119655-5	APPLICATOR BASIC ASSEMBLY, EF	46	
-	1	1	1	1	1803517-1	RAM ASSEMBLY, EF ATLANTIC	44	
-	1	1	1	1	1803602-1	SCR, BHSC, RoHS (M8 X 25)	41	
-	7	7	7	7	1-18028-2	WASHER, FLAT, REG M4	33	
-	2	2	2	2	2168083-8	SCR, SKT HD CAP, RoHS, M4 X 16	31	
-	2	2	2	2	2168083-2	SCR, SKT HD CAP, RoHS, M4 X 8.0	29	
-	1	1	1	1	240639-3	STRIPPER (MACHINING)	27	
-	2	2	2	2	1-2168083-5	SCR, SKT HD CAP, RoHS, M4 X 30	25	
-	1	1	1	1	1752371-9	PLATE, STRIP GUIDE	24	
-	1	1	1	1	240825-4	PLATE, STRIP HOLD DOWN	23	
-	2	2	2	2	2-22281-3	SPRING, COMPRESSION	22	
-	1	1	1	1	1803292-4	DRAG	20	
-	2	2	2	2	1901259-4	GUIDE, LOWER STRIP	18	
-	4	4	4	4	1-2079383-1	SCR, BHSC, RoHS (M6 X 12)	17	
1	-	1	1	1	240833-3	PLATE, REAR SHEAR	11	
-	-	-	-	-	-	-	10	
1	-	1	1	1	2-690495-9	PLATE, FRONT SHEAR	9	
1	2	2	1	1	5-1803000-6	ANVIL, COMBINATION, END FEED	8	
1	-	1	1	1	2217206-4	BLADE, SLUG	7	
-	-	-	-	-	-	-	6	
-	1	1	1	1	240641-5	SPACER	5	
-	1	1	1	1	238011-2	BLOCK, CRIMPER SPACER	4	
1	2	2	1	1	5-2119784-7	CRIMPER, INSULATION O PREMIUM	3	
-	1	1	1	1	455888-2	SPACER, CRIMPER	2	
1	2	2	1	1	3-456404-8	CRIMPER, WIRE PREMIUM	1	
-	77	72	71	2	-1	PART NO	DESCRIPTION	ITEM NO

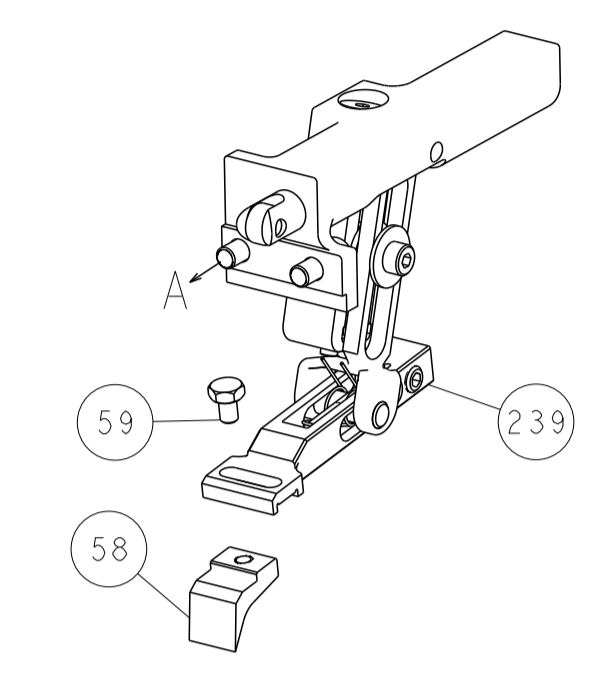
DIMENSIONS:		TOLERANCES UNLESS OTHERWISE SPECIFIED:		DWN R. HUANG 29AUG2014		TE Connectivity Harrisburg, PA 17105-3608	
mm	0 PLC ± 1 PLC ± 2 PLC ± 3 PLC ± 4 PLC ± ANGLES ± FINISH ±			CHK L. ZHANG 29AUG2014		NAME Ocean End Feed Applicator	
MATERIAL		FINISH		APVD J. GUO 29AUG2014		SIZE A1	
				PRODUCT SPEC		CAGE CODE 00779	
				APPLICATION SPEC		DRAWING NO 2150458	
				WEIGHT		RESTRICTED TO	
				SCALE 1:1		SHEET 1 OF 4	
				Customer Accessible Production Drawing		REV B	

LOC		DIST		REVISIONS			
A	66	P	LTM	DESCRIPTION	DATE	OWN	APVD
		-		SEE SHEET 1			

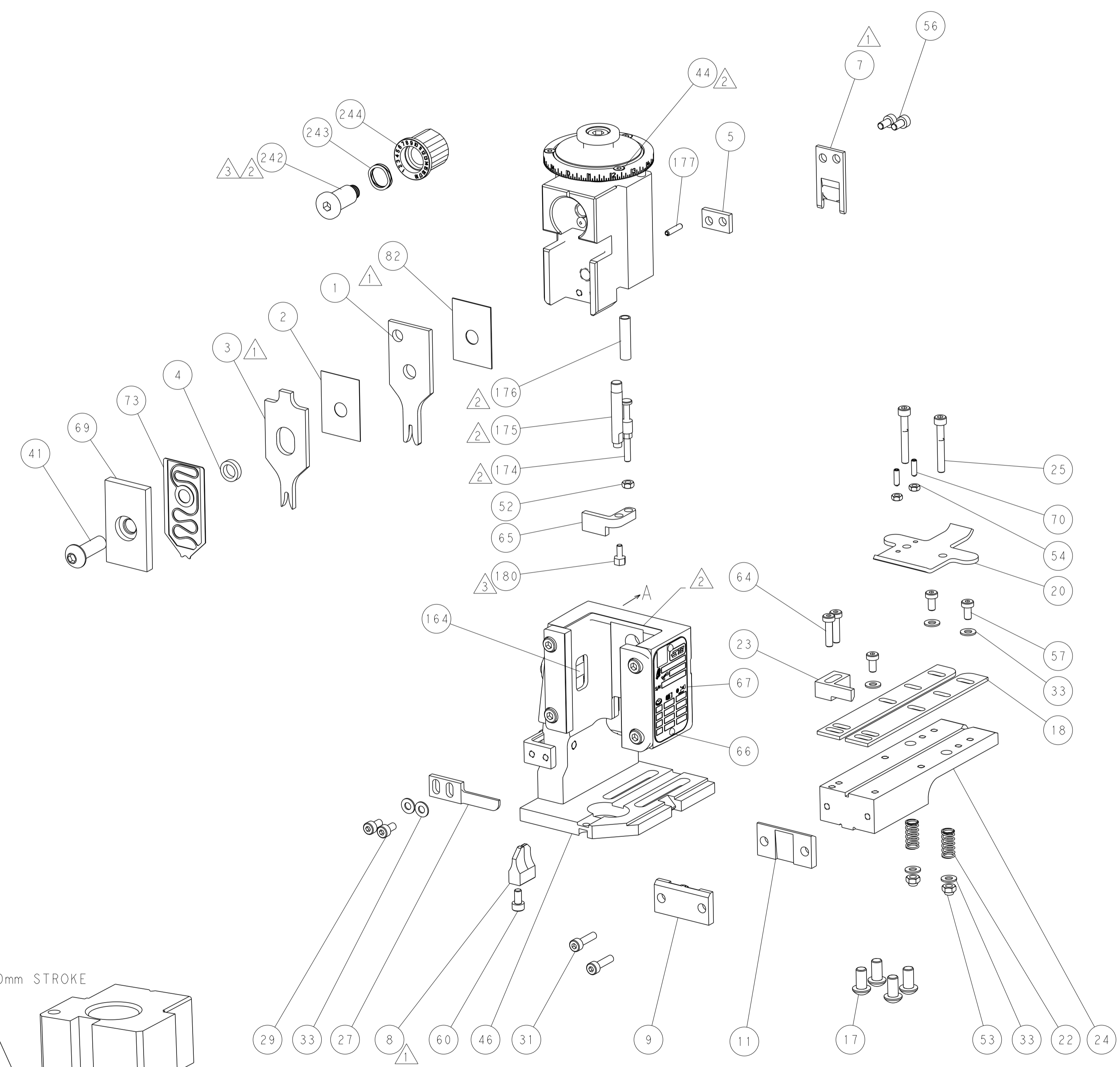
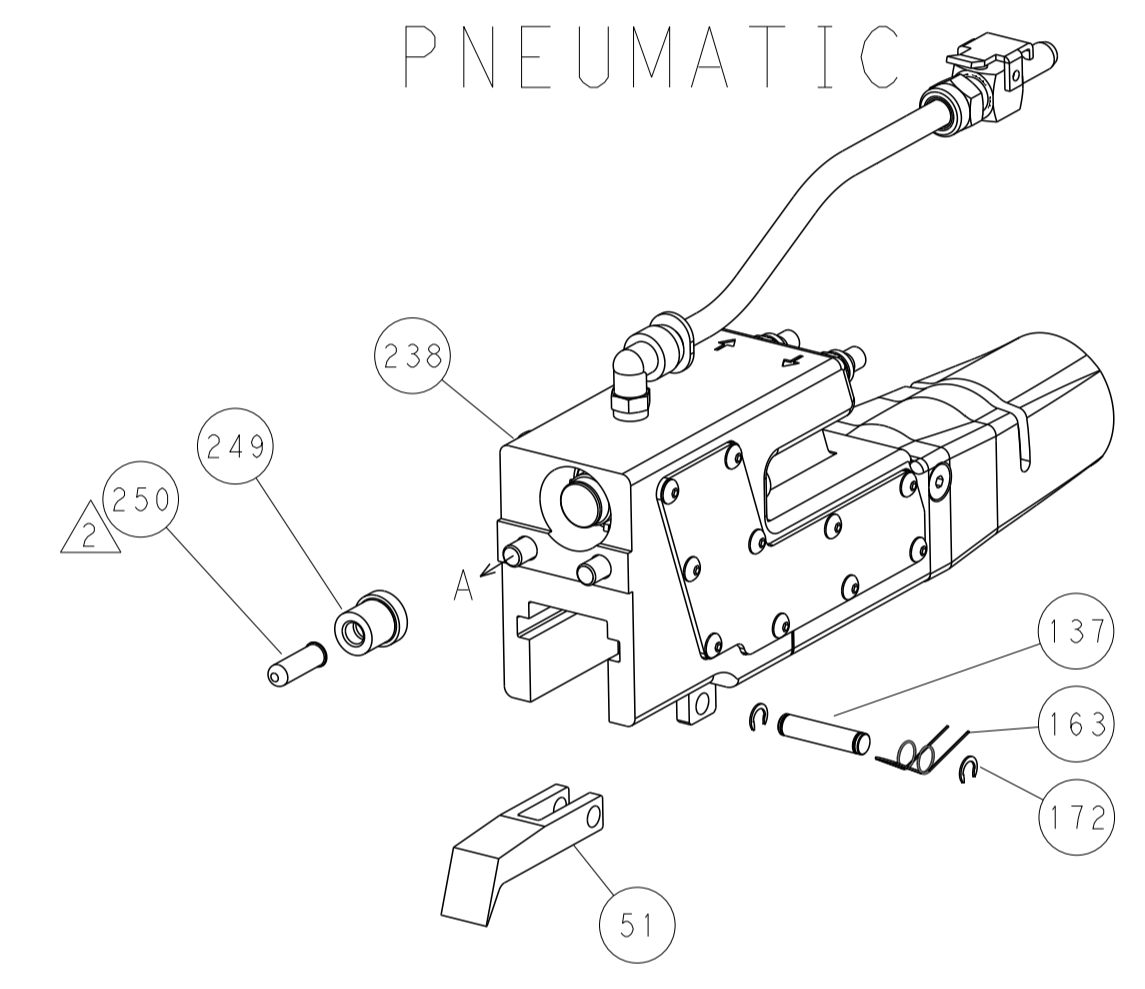


RAM AND HOLDDOWN SET-UP

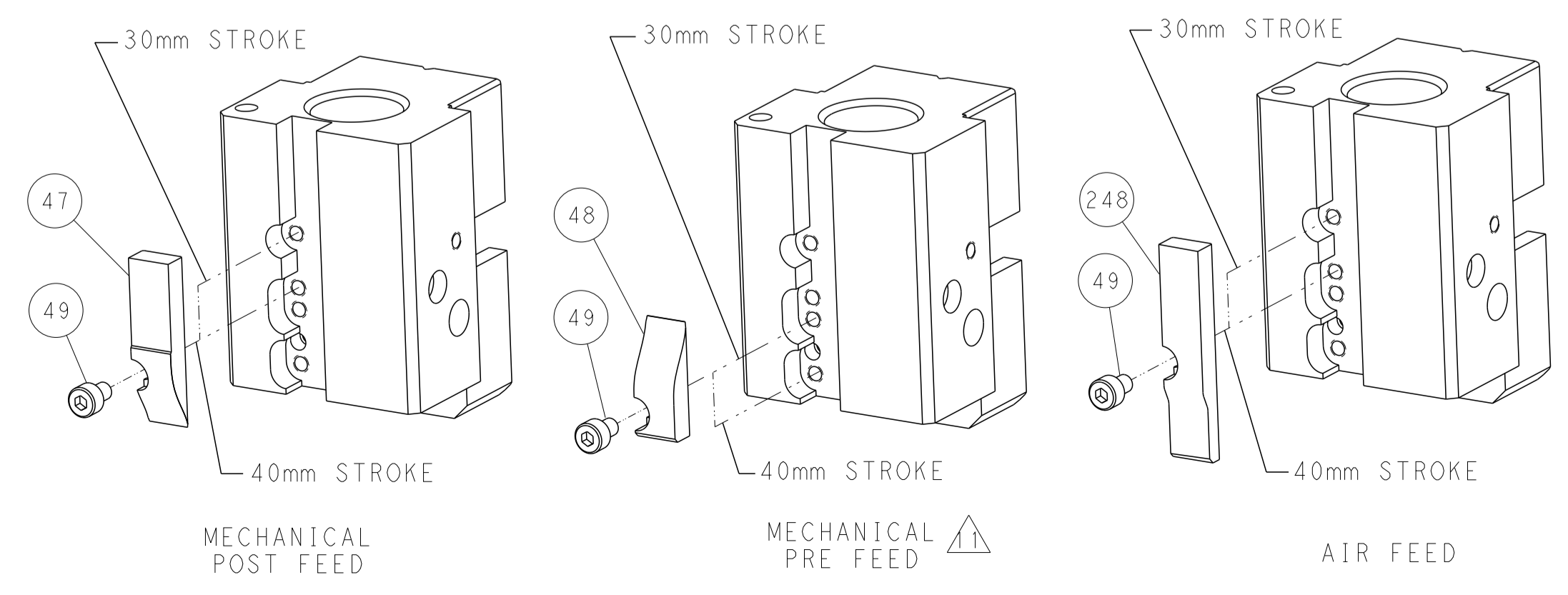
FEED TYPE
MECHANICAL



PNEUMATIC



CAM POSITIONS

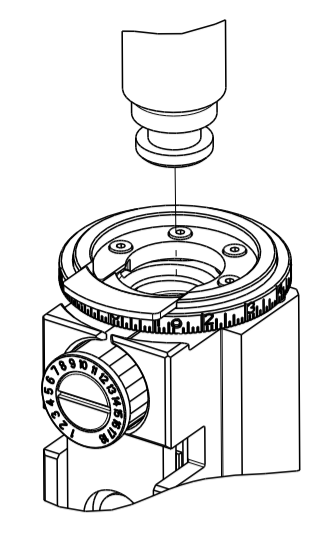


ATLANTIC VERSION
 Shown on sheets 1 of 4 & 2 of 4
 (Pacific version shown on sheets 3 of 4 & 4 of 4)

DIMENSIONS: mm 		TOLERANCES UNLESS OTHERWISE SPECIFIED: 0 PLC ± 1 PLC ± 2 PLC ± 3 PLC ± 4 PLC ± ANGLES ± FINISH ±		DWN K. HUANG 29AUG2014 CHK L. ZHANG 29AUG2014 APVD JJ. GUO 29AUG2014 PRODUCT SPEC APPLICATION SPEC WEIGHT SCALE 1:1 SHEET 2 OF 4 REV B		NAME Ocean End Feed Applicator SIZE CAGE CODE DRAWING NO. A11 00779 ©=2150458 RESTRICTED TO	
MATERIAL:				CUSTOMER ACCESSIBLE PRODUCTION DRAWING			

PART NUMBER	REVISION	DESCRIPTION	FEED TYPE
2-2150458-1	B	FINE CRIMP HEIGHT ADJUST	MECHANICAL
2-2150458-2	B	FINE CRIMP HEIGHT ADJUST	PNEUMATIC
7-2150458-7	A	CRIMP TOOLING KIT	-

PACIFIC VERSION TERMINATOR
 INTERFACE ADAPTER



APPLICATOR DATA

CRIMP	SIZE	TYPE
WIRE	1.78 mm (.070)	F
INSUL	2.79 mm (.110)	O

APPLICATOR INSTRUCTIONS
 408-35043

TERMINAL DATA: TE TERMINAL TE CRIMP SPECIFICATION

TERMINAL NAME: MINIATURE FASTIN-FASTON .110 SERIES

WIRE STRIP LENGTH	INSULATION DIAMETER RANGE
3.90-4.70 mm (.154-.185 IN)	2.03-3.05 mm (.080-.120 IN)

TERMINAL APPLICATION SPECIFICATION 114-3118

TERMINALS APPLIED

TE TERMINAL	TE TERMINAL	TE TERMINAL	TE TERMINAL
150572-2	151648-3	151648-7	151648-9
1-151648-0	152360		

WIRE SIZE	CRIMP HEIGHT mm [INCH]	CRIMP HEIGHT REFERENCE SETTING
1.00mm2	1.40 +/- 0.05 [.055 +/- .002]	7.0
0.75mm2	1.27 +/- 0.05 [.050 +/- .002]	8.2
0.50mm2	1.17 +/- 0.05 [.046 +/- .002]	9.3



- RECOMMENDED SPARE PARTS
- REFER TO SUPPLIED INSTRUCTION SHEET FOR CLEANING, LUBRICATION AND STORAGE OF APPLICATOR.
- APPLY PART NUMBER 2-23419-6 LOCTITE TO THREADS OF ITEM 242. APPLY PART NUMBER 1-23419-5 LOCTITE TO THREADS OF ITEM 180.
- CRIMP HEIGHT REFERENCE SETTING WAS THE SETTING USED WHEN THE APPLICATOR WAS QUALIFIED AT THE FACTORY. ADJUSTMENT MAY BE NECESSARY WHEN RUNNING APPLICATOR IN THE FIELD.
- UNLESS SPECIFIED OTHERWISE TORQUE VALUES SHALL BE USED PER DOCUMENT, 101-35000.

***WARNING**
 ON INSTALLATION, SET WIRE DISC TO CRIMP HEIGHT REFERENCE SETTING FOR LARGEST WIRE SIZE. CRIMP HEIGHT REFERENCE SETTINGS GREATER THAN THE VALUE SHOWN MAY CAUSE DAMAGE TO THE CRIMP TOOLING. REFER TO THE INSTRUCTION SHEET FOR PROPER SETUP AND ADJUSTMENTS.

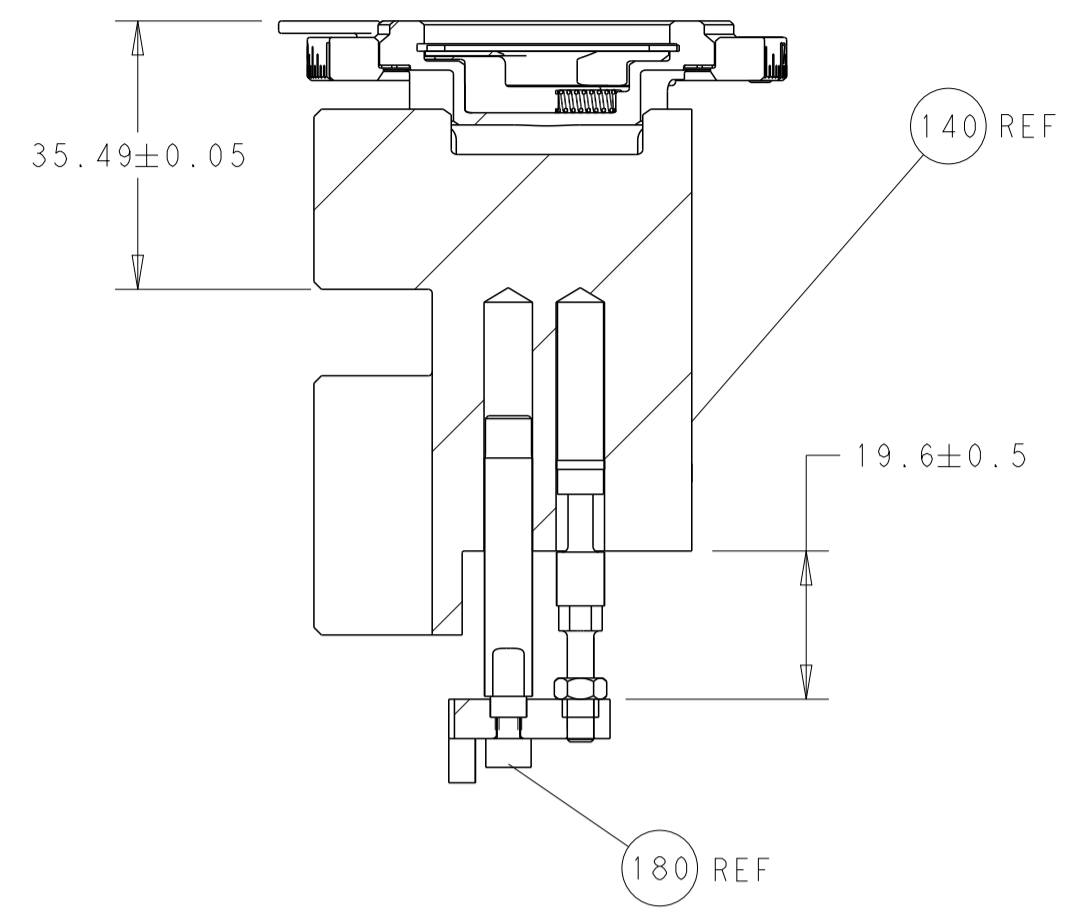
LOC	DIST	REV	DATE	BY	APPV
A	66				

REV	DATE	BY	APPV	DESCRIPTION	QTY	
-	1	-		2119640-1	PUSH ROD, AIR FEED	250
-	1	-		1803259-1	BUSHING, FLANGED	249
-	1	1		2119082-4	CAM, SNAIL, INSULATION ADJUSTMENT	244
-	1	1		2079764-1	WASHER, WAVE SPRING, CREST-TO-CREST	243
3	-	1		2119083-1	RETAINER, INSULATION DIAL	242
-	-	1		2119580-1	MECHANICAL FEED ASSEMBLY	239
-	1	-		2063440-1	AIR FEED MODULE	238
-	4	4		2079383-9	SCR, BHSC, RoHS (M6 X 20)	186
3	-	1		4-1752354-1	STANDOFF, HOLD-DOWN	180
-	1	1		6-993111-6	PIN, SLOTTED SPRING 3.0 X 14.0	177
-	1	1		8-22280-7	SPRING, COMPRESSION	176
-	1	1		1752353-2	GUIDE PIN, HOLDDOWN	175
-	1	1		1901680-2	GUIDE PIN, HOLDDOWN	174
-	2	-		21045-3	RING, RETAIN, EXTERN, 3/16 CRESCENT	172
-	REF REF	-		994970-2	COUNTER, MAGNETIC	164
-	1	-		240638-1	SPRING, FEED FINGER	163
-	1	-		2119641-2	FEED CAM, AIR FEED	152
-	1	1		2168083-8	SCR, SKT HD CAP, RoHS, M4 X 16	144
-	-	1		2119653-2	FEED CAM, POST FEED	142
-	1	1		2119655-6	APPLICATOR BASIC ASSEMBLY, EF	141
-	1	1		1803518-1	RAM ASSEMBLY, EF PACIFIC	140
-	1	-		3-23627-7	PIN, RETAIN, GRVD, 3/16 X .854	137
-	1	1		455888-5	SPACER, CRIMPER	82
-	1	1		2119791-9	DEPRESSOR, WIRE	73
-	1	1		1803607-2	DOCUMENTATION PACKAGE	71
-	2	2		2-18032-2	SCR, SET, FLT PNT, M3 X 10.0	70
-	1	1		1803203-1	BLOCK, FRONT DEPRESSOR	69
-	1	1		2119740-1	TAG, IDENTIFICATION	67
-	2	2		2168078-1	SCREW, DRIVE, RH, RoHS, 2 x .188	66
-	1	1		1-1901681-8	HOLDDOWN, TERMINAL	65
-	2	2		2168400-8	SHCS, LOW HEAD, RoHS, M4 X 16	64
-	-	1		5-18022-5	SCR, HEX HD CAP, M4 X 6.0	59
-	-	1		2063961-1	FEED FINGER	58
-	3	3		2168400-4	SHCS, LOW HEAD, RoHS, M4 X 8	57
-	2	2		2168083-2	SCR, SKT HD CAP, RoHS, M4 X 8.0	56
-	2	2		5018030-1	NUT, HEX, REG, RoHS, M3	54
-	2	2		986965-8	NUT, LOCK, HEX, TORQUE (M4)	53
-	1	1		1-5018030-0	NUT, HEX, REG, RoHS, M3.5	52
-	1	-		2119792-2	PAWL, EF, AIR	51
-	1	2		18023-9	SCR, SKT HD CAP M4 X 6.0	49
-	-	1		2119652-1	FEED CAM, PRE FEED	48
-	1	1		1803602-1	SCR, BHSC, RoHS (M8 X 25)	41
-	7	7		1-18028-2	WASHER, FLAT, REG M4	33
-	2	2		2168083-8	SCR, SKT HD CAP, RoHS, M4 X 16	31
-	2	2		2168083-2	SCR, SKT HD CAP, RoHS, M4 X 8.0	29
-	1	1		240639-3	STRIPPER (MACHINING)	27
-	2	2		1-2168083-5	SCR, SKT HD CAP, RoHS, M4 X 30	25
-	1	1		1752371-9	PLATE, STRIP GUIDE	24
-	1	1		240825-4	PLATE, STRIP HOLD DOWN	23
-	2	2		2-22281-3	SPRING, COMPRESSION	22
-	1	1		1803292-4	DRAG	20
-	2	2		1901259-4	GUIDE, LOWER STRIP	18
1	-	1		240833-3	PLATE, REAR SHEAR	11
-	-	-		-	-	10
-	1	1		2-690495-9	PLATE, FRONT SHEAR	9
1	1	1		5-1803000-6	ANVIL, COMBINATION, END FEED	8
1	-	1		2217206-4	BLADE, SLUG	7
-	-	-		-	-	6
-	1	1		240641-5	SPACER	5
-	1	1		238011-2	BLOCK, CRIMPER SPACER	4
1	1	1		5-2119784-7	CRIMPER, INSULATION O PREMIUM	3
-	1	1		455888-2	SPACER, CRIMPER	2
1	1	1		3-456404-8	CRIMPER, WIRE PREMIUM	1
-	77-22-21	-		PART NO	DESCRIPTION	ITEM NO

PACIFIC VERSION
 Shown on sheets 3 of 4 & 4 of 4
 (Atlantic version shown on sheets 1 of 4 & 2 of 4)

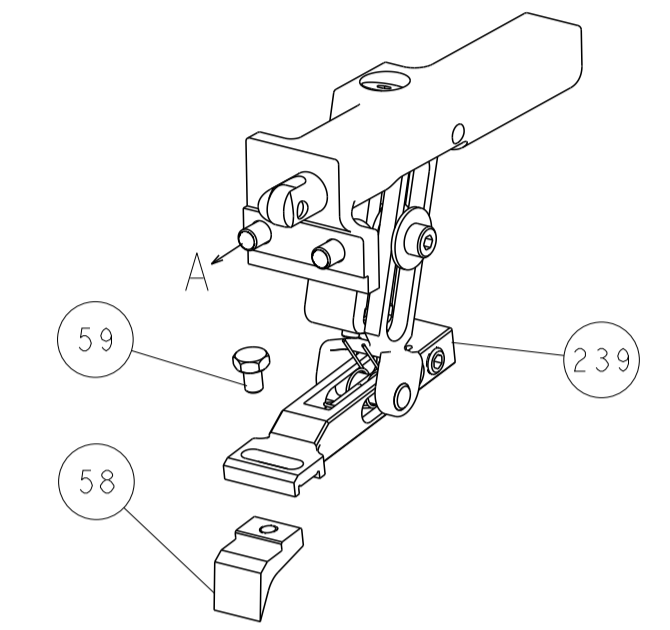
DIMENSIONS: mm 		TOLERANCES UNLESS OTHERWISE SPECIFIED: 0 PLC ± 1 PLC ± 2 PLC ± 3 PLC ± 4 PLC ± ANGLES ± FINISH		DWN H. HUANG 29AUG2014 CHK L. ZHANG 29AUG2014 APVD J. GUO 29AUG2014 PRODUCT SPEC APPLICATION SPEC CAGE CODE DRAWING NO WEIGHT SCALE 1:1 SHEET 3 OF 4 REV B		NAME Ocean End Feed Applicator SIZE A1 00779 ©=2150458 Customer Accessible Production Drawing	
-----------------------	--	---	--	---	--	---	--

LOC	DIST	REV	DESCRIPTION	DATE	DWN	APVD
A	66		SEE SHEET 1			

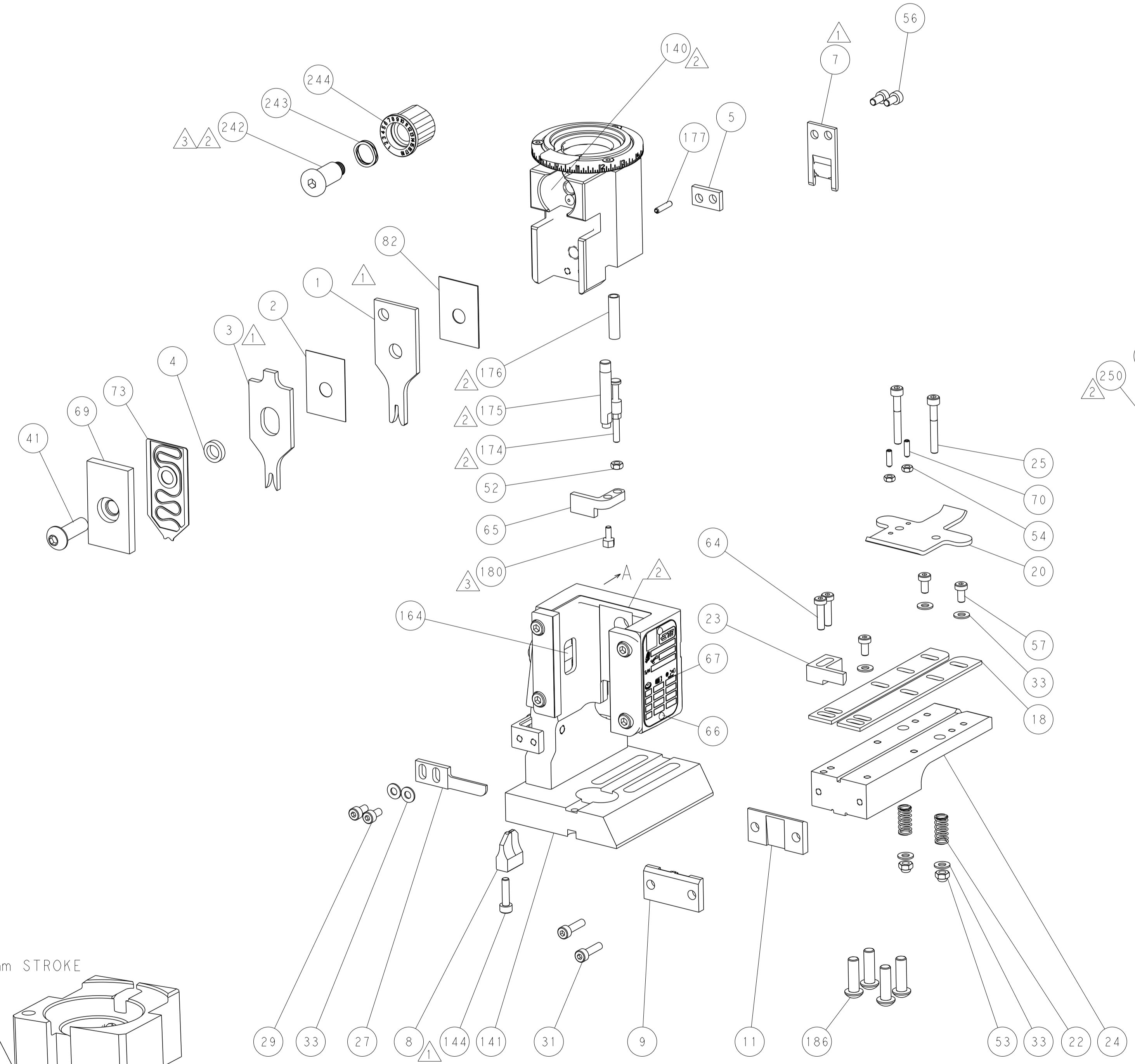
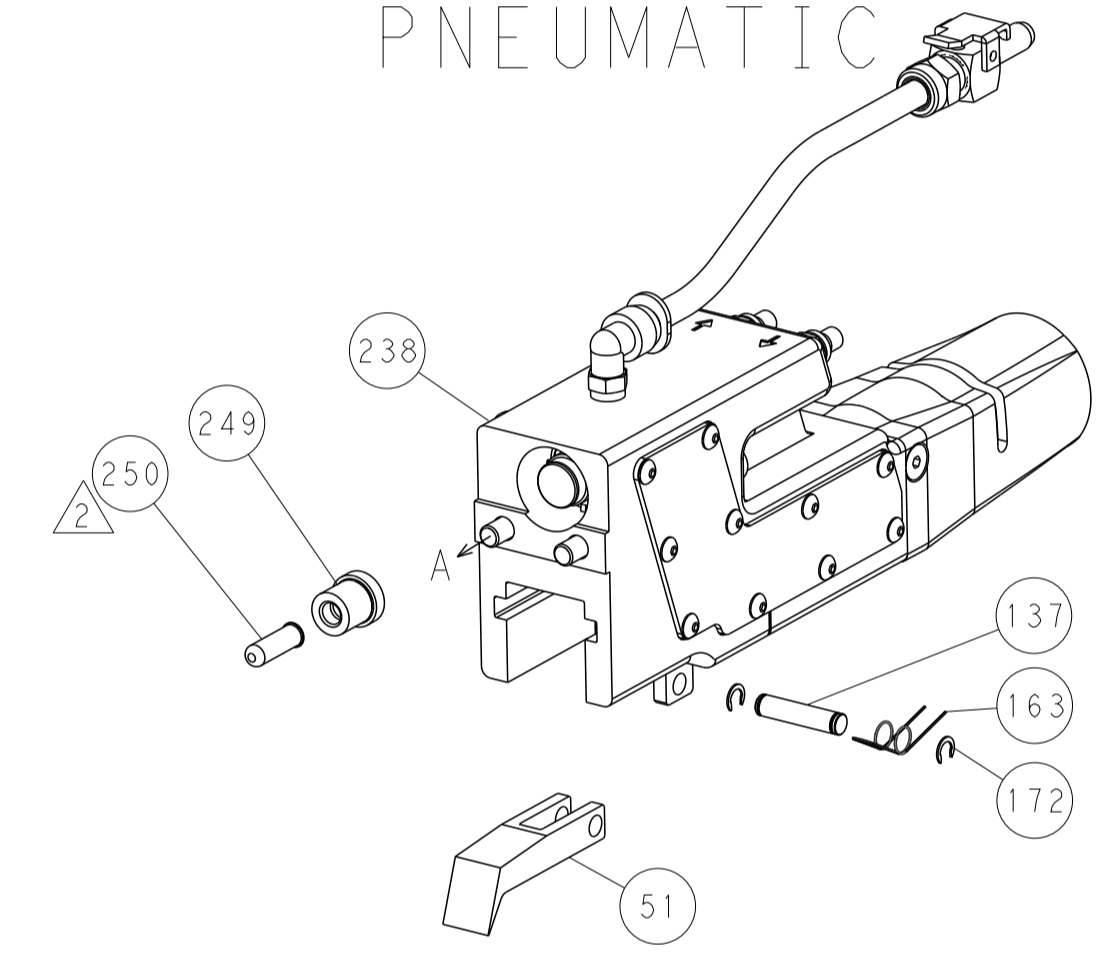


RAM AND HOLDDOWN SET-UP

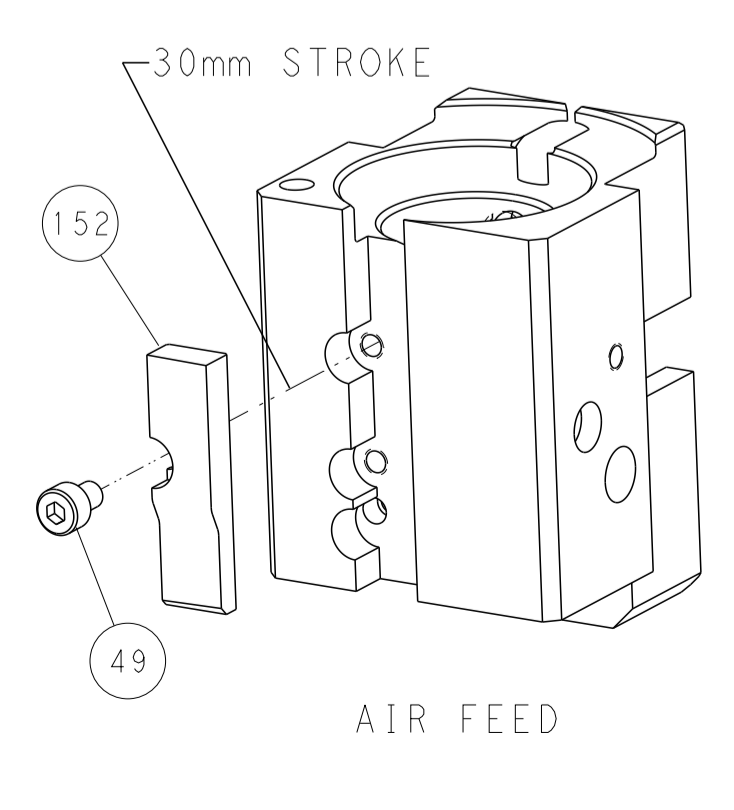
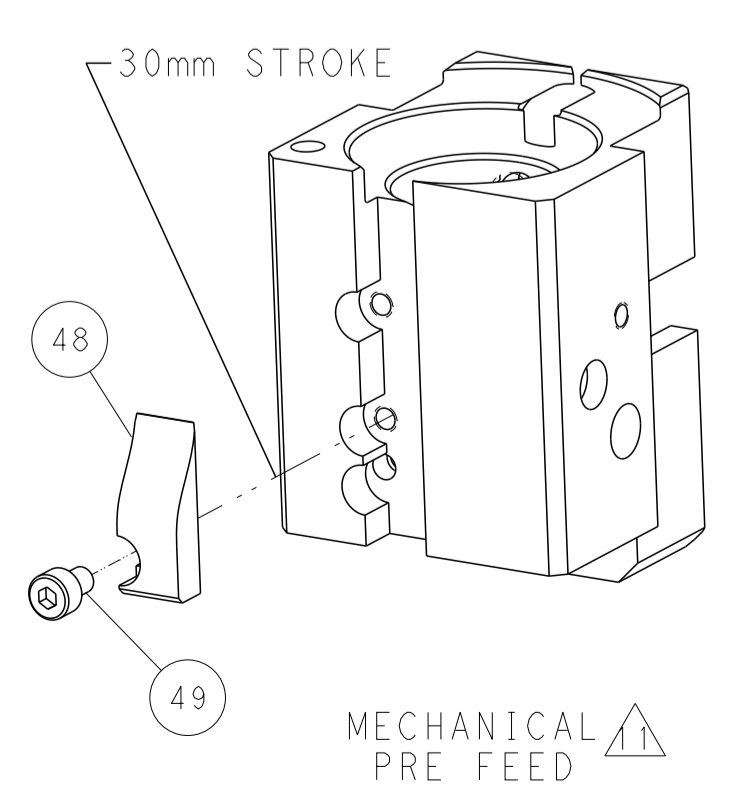
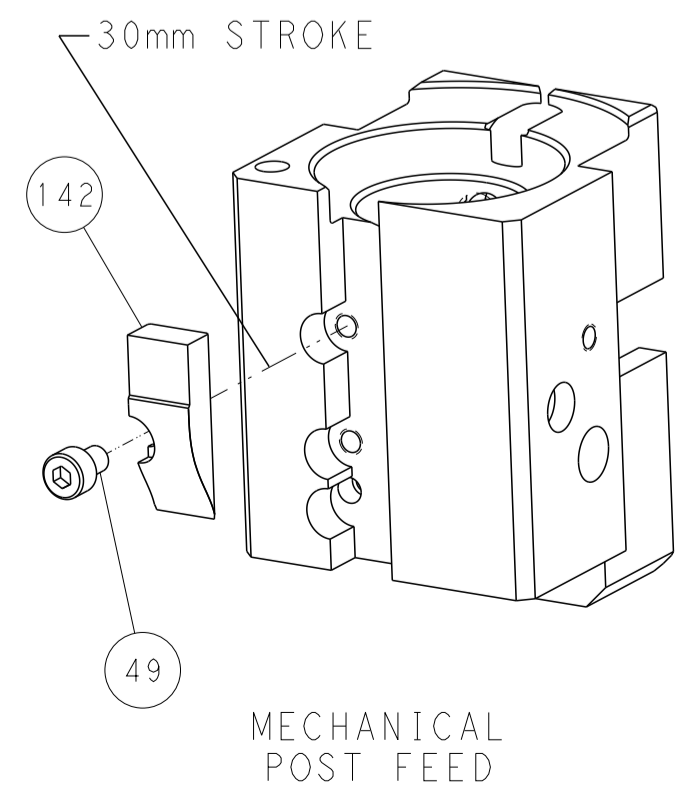
FEED TYPE
MECHANICAL



PNEUMATIC



CAM POSITIONS



PACIFIC VERSION
 Shown on sheets 3 of 4 & 4 of 4
 (Atlantic version shown on sheets 1 of 4 & 2 of 4)

DIMENSIONS: mm 		TOLERANCES UNLESS OTHERWISE SPECIFIED: 0 PLC ± 1 PLC ± 2 PLC ± 3 PLC ± 4 PLC ± ANGLES ± FINISH		DWN K. HUANG 29AUG2014 CHK L. ZHANG 29AUG2014 APVD J. GUO 29AUG2014		NAME Ocean End Feed Applicator	
MATERIAL:		WEIGHT:		SIZE: A1 CAGE CODE: 00779 DRAWING NO: C=2150458		RESTRICTED TO:	
Customer Accessible Production Drawing				SCALE: 1:1		SHEET 4 OF 4 REV B	