

4

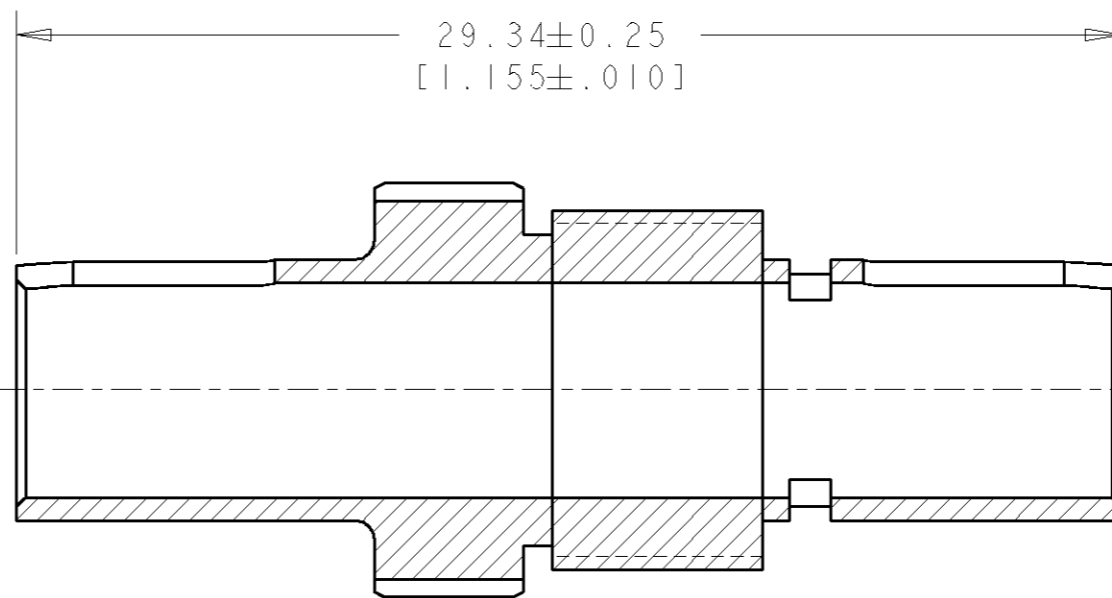
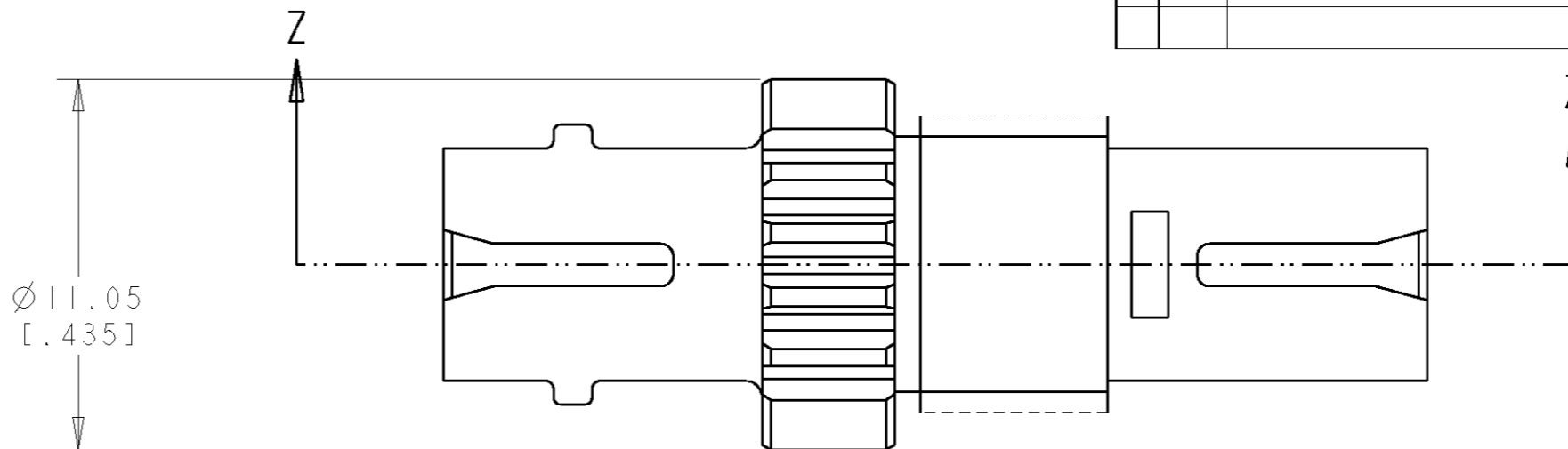
3

2

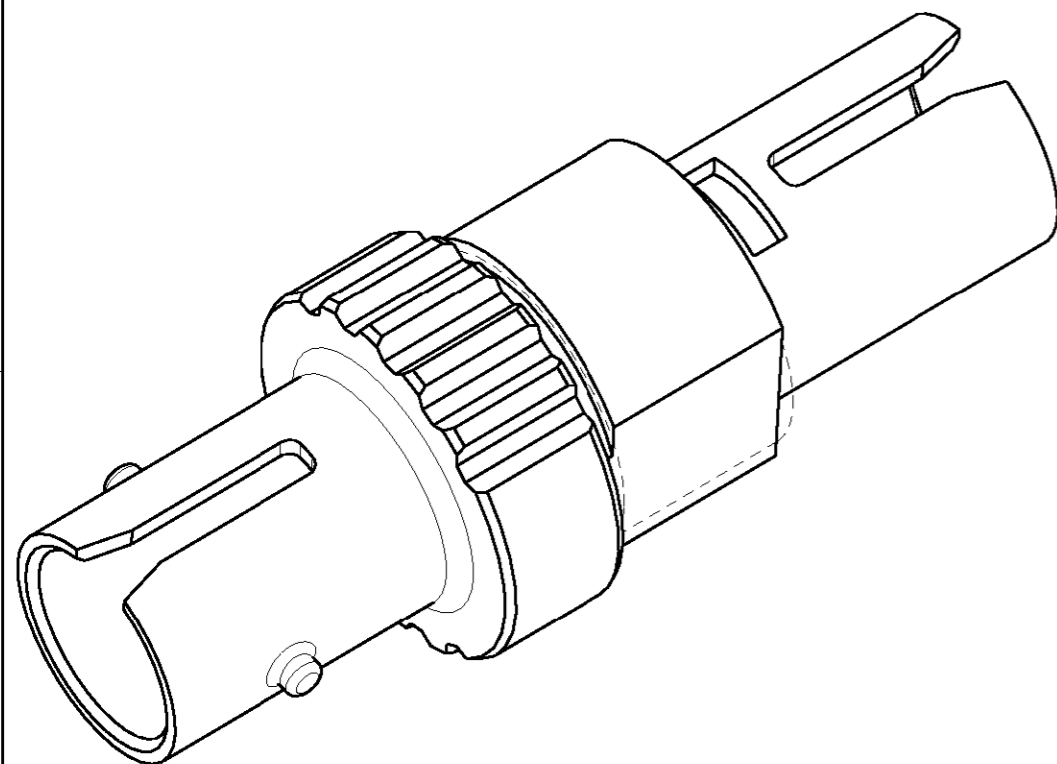
1

THIS DRAWING IS UNPUBLISHED. RELEASED FOR PUBLICATION 20
© COPYRIGHT 20 BY TYCO ELECTRONICS CORPORATION. ALL RIGHTS RESERVED.

| LOC | DIST | REVISIONS | | | |
|-----|------|-------------------------|-----------|-----|------|
| P | LTR | DESCRIPTION | DATE | DWN | APVD |
| CE | 00 | | | | |
| | A | REVISE PER 0A00-0073-05 | 25FEB2005 | BB | DK |
| | | | | | |
| | | | | | |



SECTION Z-Z



| | |
|----------|-------------|
| 1 | 502259-2 |
| 12 | 502259-1 |
| QUANTITY | PART NUMBER |

| | | | | | |
|--|--|--|--|--|--|
| <small>THIS DRAWING IS A CONTROLLED DOCUMENT FOR TYCO ELECTRONICS CORPORATION. IT IS SUBJECT TO CHANGE AND THE CONTROLLING ENGINEERING ORGANIZATION SHOULD BE CONTACTED FOR THE LATEST REVISION.</small> | | DWN B. BRIGGS 25FEB2005 CHR D. KIRSCH 25FEB2005 APVD S. BUCHTER 25FEB2005 | | tyco Tyco Electronics Electronics Harrisburg, PA 17105-3608 | |
| DIMENSIONS: mm [INCHES] | | TOLERANCES UNLESS OTHERWISE SPECIFIED: 0 PLC ±- 1 PLC ±- 2 PLC ±- 3 PLC ±0.13 [0.005] 4 PLC ±- ANGLES ±- | | NAME PROTECTIVE SLEEVE, 2.5mm BAYONET | |
| MATERIAL - | | FINISH - | | PRODUCT SPEC - APPLICATION SPEC - WEIGHT - | |
| | | CUSTOMER DRAWING | | SIZE A3 CAGE CODE 00779 DRAWING NO C-502259 RESTRICTED TO - | |
| | | SCALE 5:1 | | SHEET 1 OF 1 REV A | |