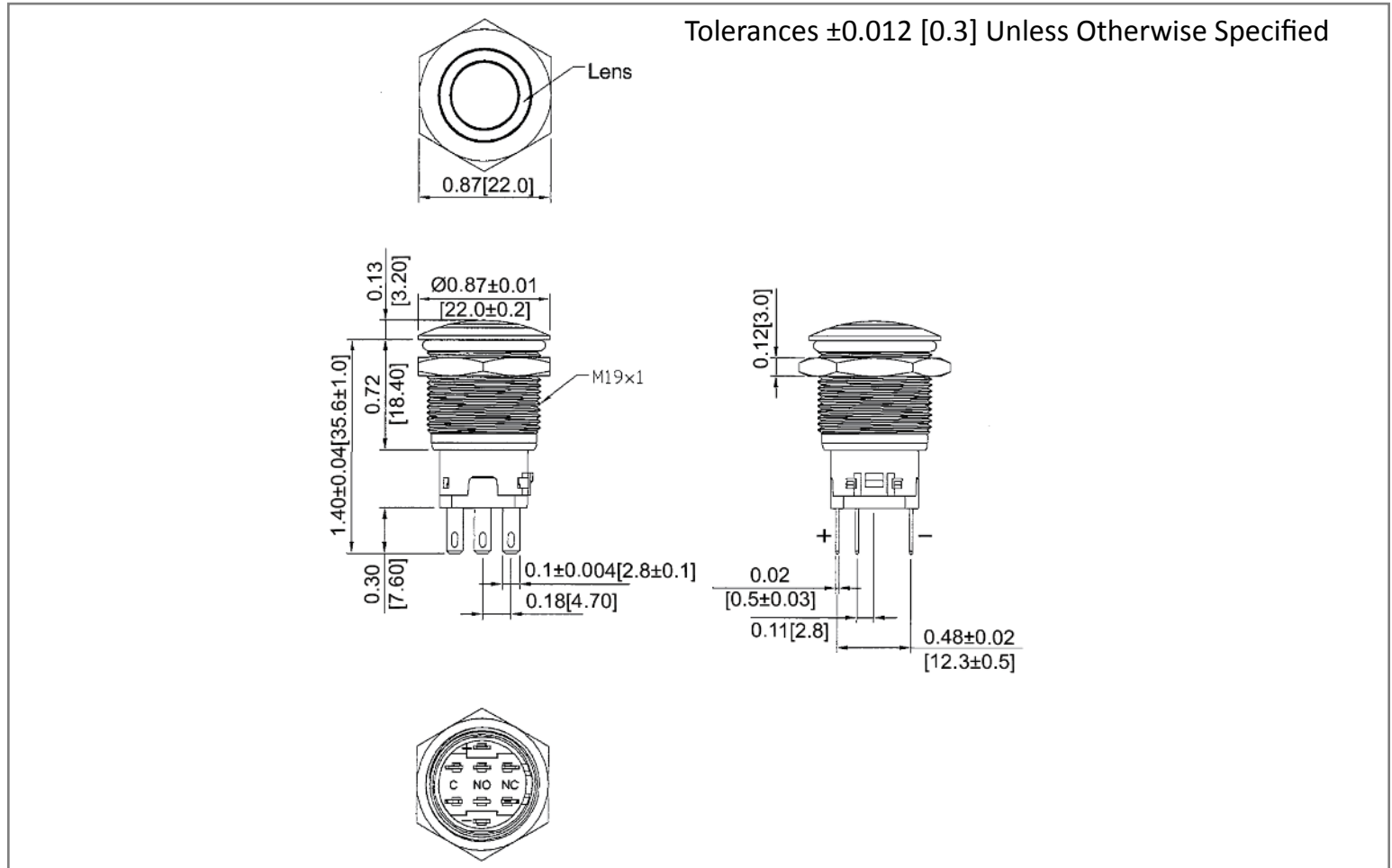
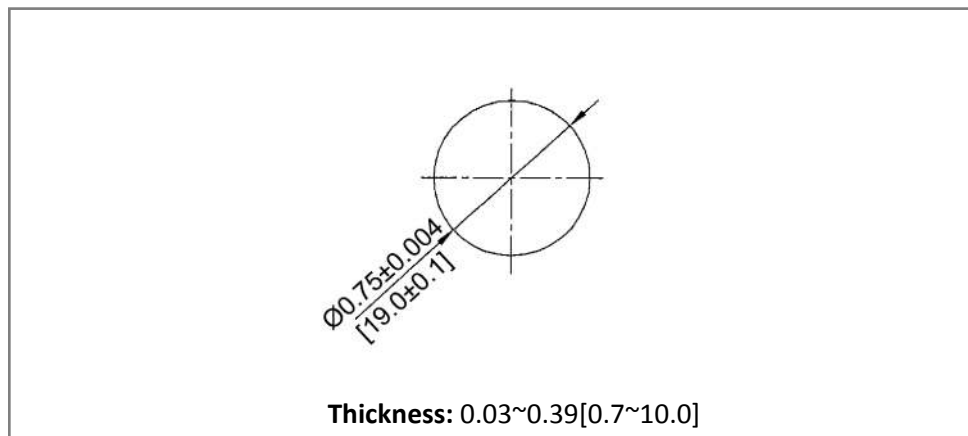


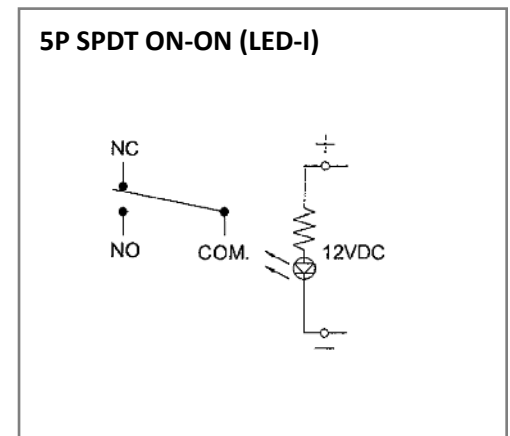
Mechanical Dimensions: Inches [mm]



Mounting Hole



Circuit Diagram



Electrical Specifications

Rating	10A 14V DC
Contact Resistance	50m ohm Max.
Insulation Resistance	DC 500V 100M ohm Min
Dielectric Strength	AC 500V 1 minute
Operation Temperature	-20°C ~ 70°C

Material Specifications

Frame/Actuator/Hex Nut	SUS304
Lens	PC, Green clear
LED	Green, Independent
Housing	Black, PA#66
Bottom (Waterproof)	Black, PBT+15%GF (IP67)

Rev **Date of issue** **Revision Notes**

Designed **Approved**

A	05-18-2021	Initial Drawing	RC	OF
---	------------	-----------------	----	----