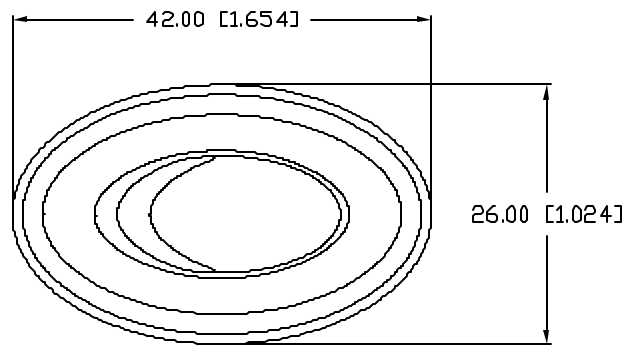
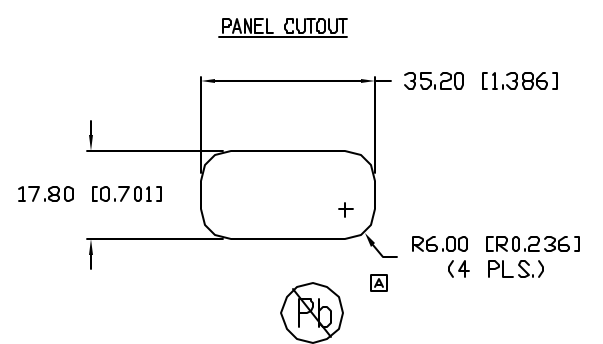
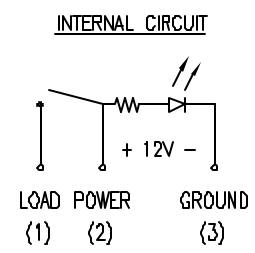
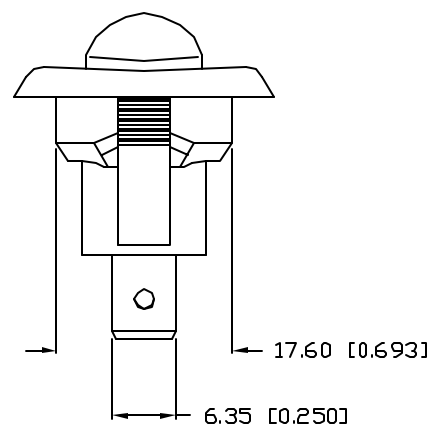
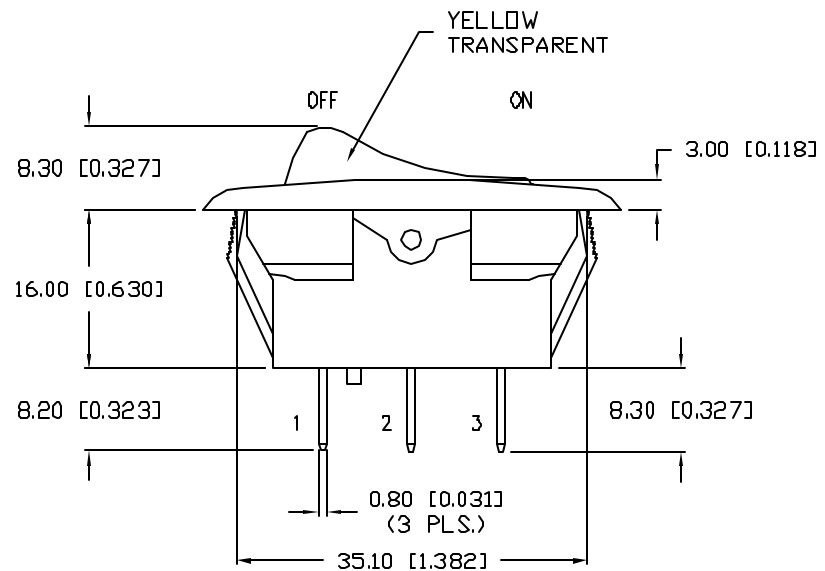


UNCONTROLLED DOCUMENT

| | | |
|-----------------|-------------------------------------|----------|
| PART NUMBER | | REV. |
| CLS-R011A12251Y | | A |
| REV. | E.C.N. NUMBER AND REVISION COMMENTS | DATE |
| A | E.C.N. #11148. | 12.08.06 |



| CHARACTERISTICS | |
|-------------------|--------------|
| RATING | 20A AT 12VDC |
| LED COLOR | YELLOW |
| CIRCUIT OPERATION | SPST |
| NO. OF PINS | 3 |
| SWITCH OPERATION | ON-OFF |



*UNLESS OTHERWISE SPECIFIED TOLERANCES PER DECIMAL PRECISION ARE: X=±1 (±0.039), X.X=±0.5 (±0.020), X.XX=±0.25 (±0.010), X.XXX=±0.127 (±0.005). LEAD SIZE=±0.05 (±0.002), LEAD LENGTH=±0.75 (±0.030). MIN= -0.00 DECIMAL PRECISION MAX.= +0.00 DECIMAL PRECISION

UNCONTROLLED DOCUMENT

| | |
|---|-----------------|
| REV. | PART NUMBER |
| A | CLS-R011A12251Y |
| ILLUMINATED OVAL ROCKER SWITCH, 20A AT 12VDC RATED, YELLOW LED, YELLOW TRANSPARENT LENS. | |

CONFIDENTIAL INFORMATION
 THE INFORMATION CONTAINED IN THIS DOCUMENT IS THE PROPERTY OF LUMEX INC. EXCEPT AS SPECIFICALLY AUTHORIZED IN WRITING BY LUMEX INC, THE HOLDER OF THIS DOCUMENT SHALL KEEP ALL INFORMATION CONTAINED HEREIN CONFIDENTIAL AND SHALL PROTECT SAME IN WHOLE OR IN PART FROM DISCLOSURE AND DISSEMINATION TO ALL THIRD PARTIES.

RELIABILITY NOTE
 OUR MANY YEARS OF EXPERIENCE DATA ACCUMULATION INDICATE THAT SOLDER HEAT IS A MAJOR CAUSE OF EARLY AND FUTURE FAILURE. PLEASE PAY ATTENTION TO YOUR SOLDERING PROCESS.

| | | | |
|-----------|-------------|---|----------------------------|
| | | 290 E. HELEN ROAD PALATINE, IL 60067-6976 PHONE: +1.847.359.2790 US WEB: www.lumex.com TW WEB: www.lumex.com.tw | |
| DRAWN BY: | CHECKED BY: | APPROVED BY: | DATE: 12.08.06 |
| JC | | | PAGE: 1 OF 1 SCALE: N/A |