

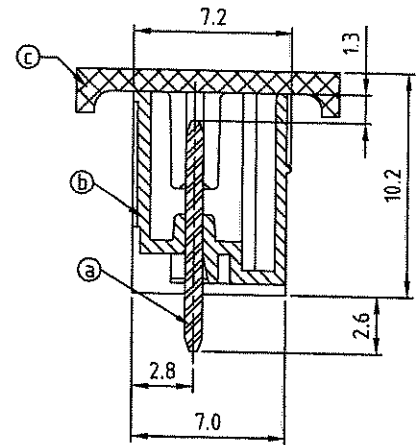
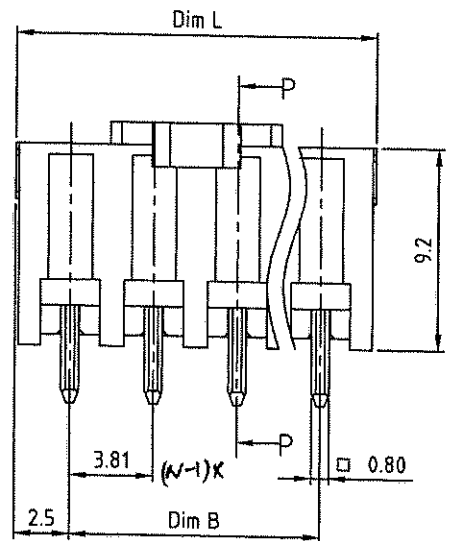
Cover

Poles	Dim C
2P	7.81
3P	11.62

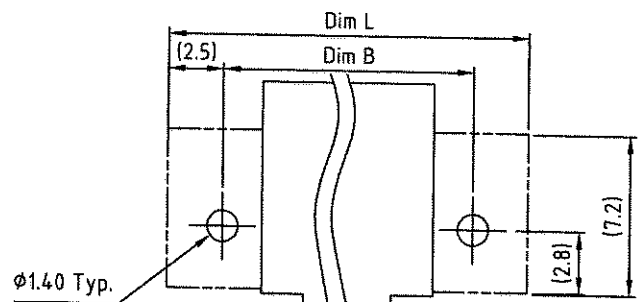
N=Number of poles

Dim L	$(N-1) \times 3.81 + 5.0$
Dim B	$(N-1) \times 3.81$
Dim D	$(N-1) \times 3.81$

Poles	Tolerance
2p-6p	± 0.15
7p-12p	± 0.20
13p-16p	± 0.30



SECTION P-P



RECOMMENDED PCB LAYOUT
TOP VIEW

SIGN	DATE	DESCRIPTION	APPROVER
THIS IS CAD DRAWING, DO NOT REVISE MANUALLY!!!			

- Material:
- Item ① Male contact pin: Copper, Bright Tin plated over Nickel plated
 - Item ② Terminalhousing: LCP(UL94V-0)
 - Item ③ With cover: LCP (UL94V-0)

- Electrical: cULus
- Voltage rating: 300V
 - Current rating: 10A
 - Withstanding Voltage: 1.6 KV
 - Operating temperature: -45°C to +130°C
 - Soldering temperature: 260°C/10 Sec max
 - Safety Approval:

OQ xx 3 G x 0 Bxxx G

No. OF POLES
02: 2 POLES
03: 3 POLES
16: 16 POLES

Color
0: Black (RAL9005)

G: RoHS compliant (lead<4%) In copper Alloy

B000: "@" Logo (Standard)
B00A: "ANYTEK" Mark

Any special item by customer request, please contact sales department.



Amphenol ANYTEK		CUSTOMER COPY	
ALL RIGHTS RESERVED. REPRODUCTION OR ISSUE TO THIRD PARTIES IN ANY FORM WHATSOEVER IS NOT PERMITTED WITHOUT WRITTEN AUTHORITY FROM THE PROPRIETOR. PROPERTY OF ANYTEK TECHNOLOGY CO., LTD			
TITLE	OQ 3.81mm 180° Series 2P-16P Close THR (With cover & Tape reel)		
PART NO.	OQxx3Gx0B000G	DWG NO.	80Q0F17
APPROVED	CHECKED	DESIGNED	DRAWN
		CHENMING 2016.12.14	CHENMING 2016.12.14
		CUST NO.	Tolerance
			X. ±0.50
			X.X ±0.30
			X.XX ±0.10
			X° ±1°
		UNIT: mm	SCALE: NONE
		SHEET: 01/01	REV.: B