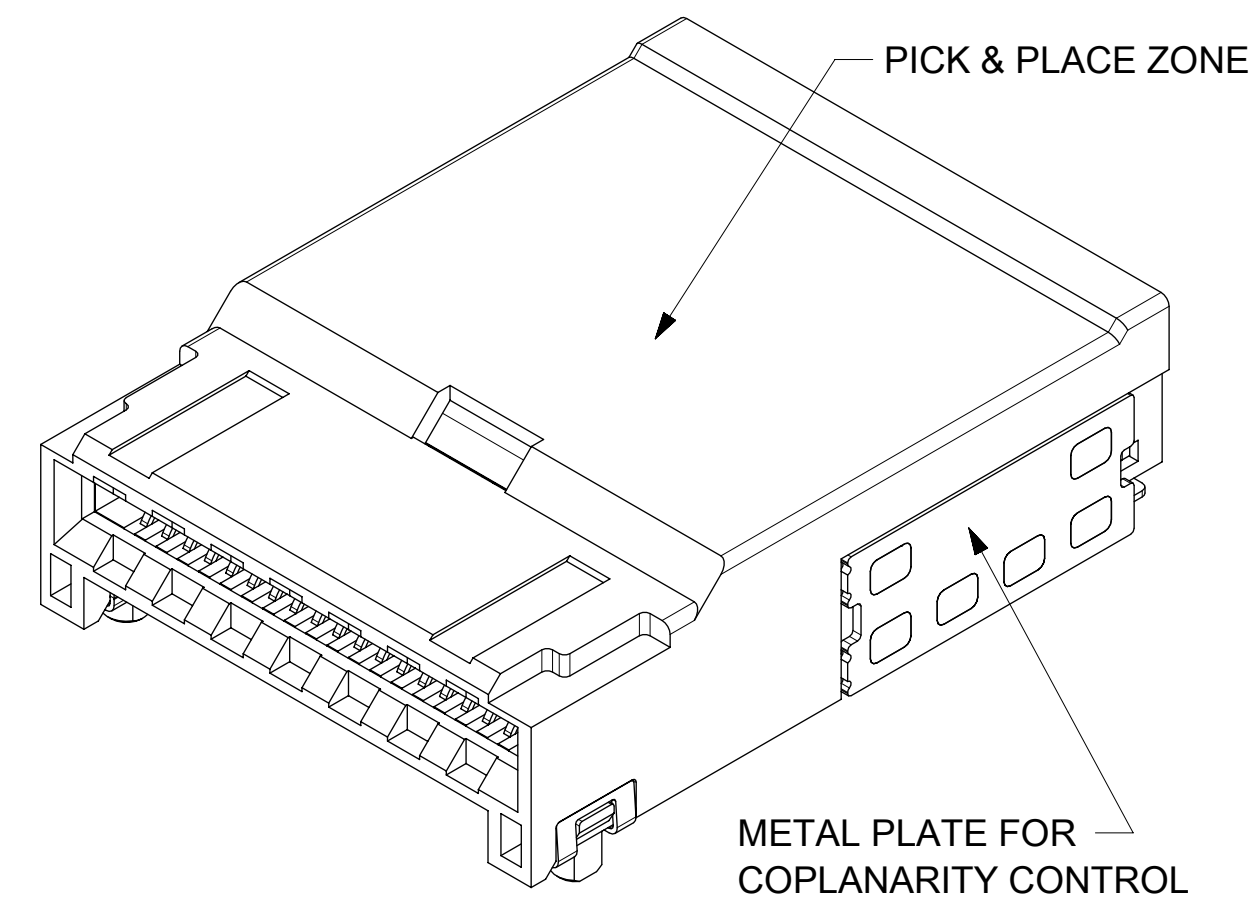


NOTES

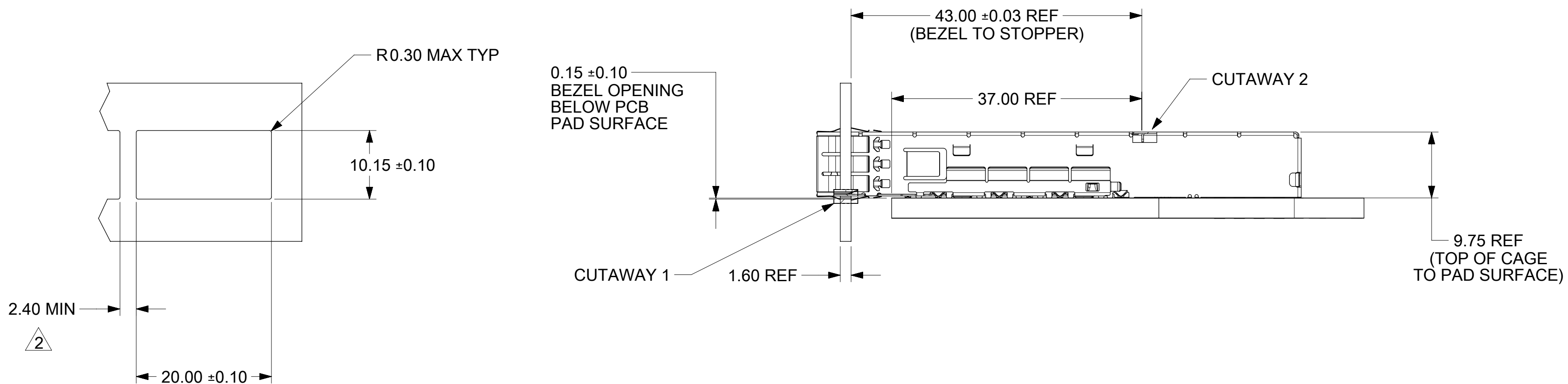
1. MATERIAL:
 - HOUSING - HIGH TEMPERATURE THERMOPLASTIC GLASS FILLED. UL 94V-0. BLACK.
 - TERMINALS - COPPER ALLOY
 - SOLDER RING / NAIL: COPPER ALLOY
 - SIDE PLATE: STAINNESS STEEL
 - TAIL RETAINER: NICKEL-SILVER ALLOY
2. PLATING:
 - a) CONTACT AREA: 0.76 μm MIN. HARD GOLD OVER 3.81 μm MIN. ELECTROPLATED SEMI BRIGHT NICKEL.
 - b) SOLDER AREA: 2.54 - 6.50 μm MATTE TIN OVER 0.76 μm MIN. ELECTROPLATED SEMI BRIGHT NICKEL.
 - c) OVERALL: 0.76 μm MIN. ELECTROPLATED SEMI BRIGHT NICKEL.
3. TERMINAL SOLDER FEET TO BE COPLANAR WITHIN 0.10/004 MEASURED FROM FRONT HOUSING STAND OFF (DATUM -BB-)
4. DATE CODE: 4 DIGIT (3 DIGIT DATE, 1 DIGIT YEAR)
5. CIRCUIT IDENTIFIER: SEE APPROPRIATE INDUSTRY SPECIFICATION FOR LOCATION OF PIN 1
6. PACKAGED PER PACKING SPECIFICATION: 2147334000-PK
7. CONFORMS TO PRODUCT SPECIFICATION: 2162520004-PS
8. APPLICATION SPECIFICATION: TBD
9. THIS PART CONFORMS TO CLASS C REQUIREMENTS OF COSMETIC SPECIFICATION PS-45499-002



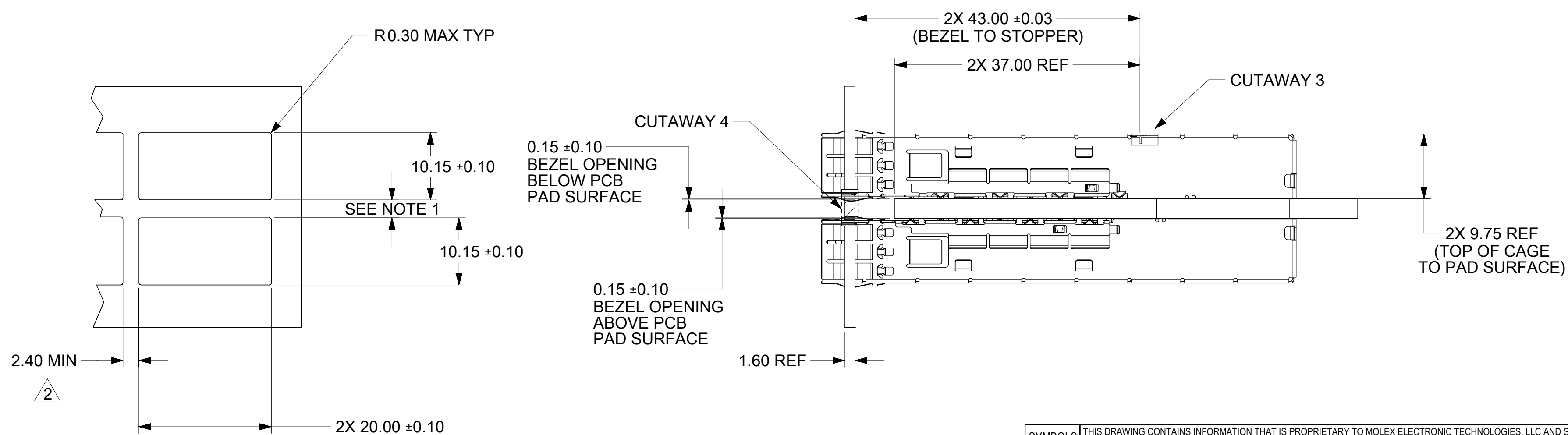
THIS DRAWING CONTAINS INFORMATION THAT IS PROPRIETARY TO MOLEX ELECTRONIC TECHNOLOGIES, LLC AND SHOULD NOT BE USED WITHOUT WRITTEN PERMISSION									
SYMBOLS	DIMENSION UNITS	SCALE	CURRENT REV DESC:						
▽ = 0	mm	5:1	EC NO: 713013 DRWN: RCHEN55 2021/07/15 CHK'D: JKACHLIC 2022/07/28 APPR: JKACHLIC 2022/07/28 INITIAL REVISION: DRWN: LZHUANG06 2020/03/16 APPR: IGORH 2021/05/10						
▽ = 0	GENERAL TOLERANCES (UNLESS SPECIFIED)								
▽ = 0	ANGULAR TOL ± 1.0°								
▽ = 0	4 PLACES ±								
▽ = 0	3 PLACES ±		ASSEMBLY 112G DDQ SMT CONNECTOR 76CKT PRODUCT CUSTOMER DRAWING						
▽ = 0	2 PLACES ± 0.13								
▽ = 0	1 PLACE ± 0.25		DOCUMENT NUMBER: 2147334000 DOC TYPE: PSD DOC PART: 000 REVISION: A2						
▽ = 0	0 PLACES ±								
▽ = 0	DRAFT WHERE APPLICABLE MUST REMAIN WITHIN DIMENSIONS		THIRD ANGLE PROJECTION	DRAWING	SERIES	MATERIAL NUMBER	CUSTOMER	SHEET NUMBER	
▽ = 0				C-SIZE	214733	2147334000		1 OF 5	

DOCUMENT STATUS	P1	RELEASE DATE	2022/07/28	01:22:28
-----------------	----	--------------	------------	----------

BEZEL AND BOARD POSITION DIMENSIONS FOR SINGLE SIDE MOUNTING



BEZEL AND BOARD POSITION DIMENSIONS FOR BELLY TO BELLY MOUNTING



- NOTES:**
- PCB THICKNESS VARIATION MUST BE CONSIDERED WHEN DETERMINING BEZEL OPENING, SIZE, AND LOCATION.
 - (triangle 2) THIS DIMENSION IS FOR REFERENCE ONLY, USER CAN MODIFY DEPENDING ON APPLICATION, OPENING FOR ADJACENT CAGE ON PCB LAYOUT VARIES BASED ON MODIFICATION.

THIS DRAWING CONTAINS INFORMATION THAT IS PROPRIETARY TO MOLEX ELECTRONIC TECHNOLOGIES, LLC AND SHOULD NOT BE USED WITHOUT WRITTEN PERMISSION									
SYMBOLS	DIMENSION UNITS	SCALE	CURRENT REV DESC:						
▽ = 0	mm	4:1	EC NO: 713013 DRWN: RCHEN55 2021/07/15 CHK'D: JKACHLIC 2022/07/28 APPR: JKACHLIC 2022/07/28 ASSEMBLY 112G DDQ SMT CONNECTOR 76CKT						
▽ = 0	GENERAL TOLERANCES (UNLESS SPECIFIED)								
▽ = 0	ANGULAR TOL ± 1.0°		PRODUCT CUSTOMER DRAWING DOCUMENT NUMBER: 2147334000 DOC TYPE: PSD DOC PART: 000 REVISION: A2						
▽ = 0	4 PLACES ±								
▽ = 0	3 PLACES ±		INITIAL REVISION: DRWN: LZHUANG06 2020/03/16 APPR: IGORH 2021/05/10 MATERIAL NUMBER: 2147334000 CUSTOMER:						
▽ = 0	2 PLACES ± 0.13								
▽ = 0	1 PLACE ± 0.25		SERIES: 214733 SHEET NUMBER: 4 OF 5						
▽ = 0	0 PLACES ±								
▽ = 0	DRAFT WHERE APPLICABLE MUST REMAIN WITHIN DIMENSIONS		THIRD ANGLE PROJECTION	DRAWING	SERIES	MATERIAL NUMBER	CUSTOMER	SHEET NUMBER	
▽ = 0			C-SIZE	214733	2147334000			4 OF 5	

REVISION	DATE	DISCRIPTION
1	2019/09/25	INITIAL CONCEPT
2	2020/03/16	OUTLINE UPDATE & MISC CHANGES
3	2020/06/25	SHEET 2: DIM 1.30 WAS 1.60; DIM 0.31 WAS 0.35
4	2020/12/01	MISC. UPDATE
5	2020/12/23	ADDED ADDITIONAL ADHESIVE ZONE FOR BELLY-TO-BELLY APPLICATION
6	2021/1/5	ADDED PICK & PLACE TAPE
7	2021/1/29	CHANGED HOUSING
A	2021/2/1	MISC UPDATE
A2	2021/7/15	SHEET 2, E2: ADD DIM 1.00+/-0.05 FROM PILOT TO PAD. SHEET 2, F4: REMOVE DIM 0.20. SHEET 2, E3: REMOVE DIM 0.13 SHEET 2, G12: REMOVE CAGE LAYOUT DIMENSIONS. SHEET 2, B5: ADD REFERENCE FILE OF CAGE HOLES LOCATION DIMENISONS . SHEET 2, A9 AND D8: DEFINE KEEP OUT ZONE FOR SOLDERING RING AND ADHESIVE ZONE. SHEET 2: CHANGE ADHESIVE LOCATIONS TO TWO AREAS. UPDATE ADHESIVE PAD DIM FROM 4X4 MM TO 2.6X2.6 MM. SHEET 5: SHOW EMI FEATURES IN VIEWS. SHEET 1: C9: REMOVE TP OF PEGS SHEET 1: E9 AND E5: ADD ANOTHER STEP ON HOUSING WITH DIM CONTROL: DIM 7.20 REF AND DIM 19.46 REF SHEET 3: ADD DIFINATION FOR TBD COLUMUS IN PIN OUT TABLE SHEET 2: D7: CHANGE DESCRIPTION OF ADHESIVE AREA BY ADDING "WITH SOLDER MASK"

SYMBOLS										THIS DRAWING CONTAINS INFORMATION THAT IS PROPRIETARY TO MOLEX ELECTRONIC TECHNOLOGIES, LLC AND SHOULD NOT BE USED WITHOUT WRITTEN PERMISSION									
DIMENSION UNITS		SCALE		CURRENT REV DESC:															
mm		1:1		EC NO: 713013 DRWN: RCHEN55 2021/07/15 CHK'D: JKACHLIC 2022/07/28 APPR: JKACHLIC 2022/07/28 INITIAL REVISION: DRWN: LZHUANG06 2020/03/16 APPR: IGORH 2021/05/10															
GENERAL TOLERANCES (UNLESS SPECIFIED)																			
ANGULAR TOL ± 1.0°																			
DRAFT WHERE APPLICABLE MUST REMAIN WITHIN DIMENSIONS																			
▽ = 0	4 PLACES	±		THIRD ANGLE PROJECTION DRAWING SERIES C-SIZE 214733															
▽ = 0	3 PLACES	±																	
▽ = 0	2 PLACES	±	0.13	MATERIAL NUMBER CUSTOMER SHEET NUMBER 2147334000 5 OF 5															
▽ = 0	1 PLACE	±	0.25																
☒ = 0	0 PLACES	±		DOCUMENT NUMBER DOC TYPE DOC PART REVISION 2147334000 PSD 000 A2															
■ = 0																			



ASSEMBLY 112G DDQ SMT CONNECTOR 76CKT

PRODUCT CUSTOMER DRAWING