

MATERIALS AND FINISHES

BODY: STAINLESS STEEL  
PLATED GOLD

CENTER CONTACT: BERYLLIUM COPPER  
PLATED GOLD

FLANGE BODY: STAINLESS STEEL  
PASSIVATE

RETAINING RING: CARBON STEEL  
PLATED NICKEL

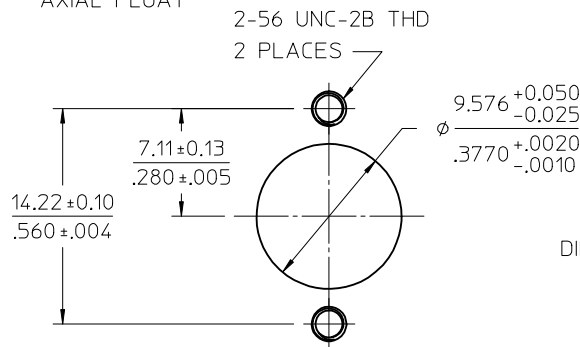
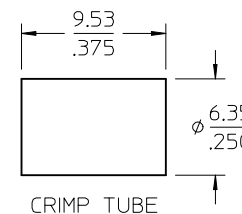
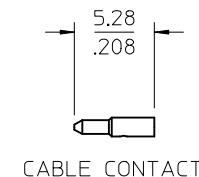
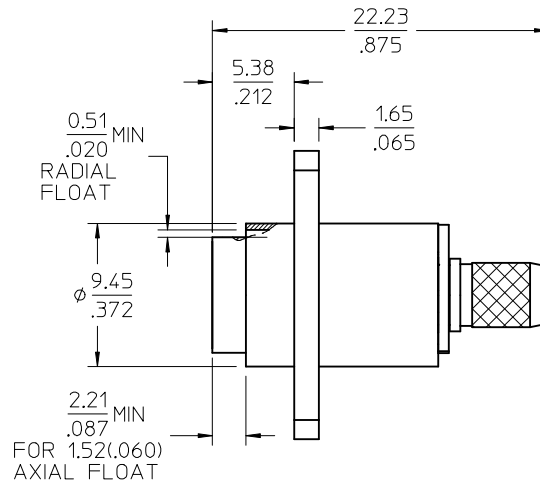
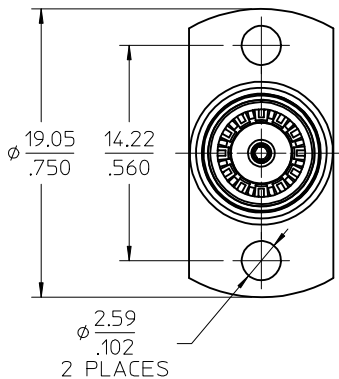
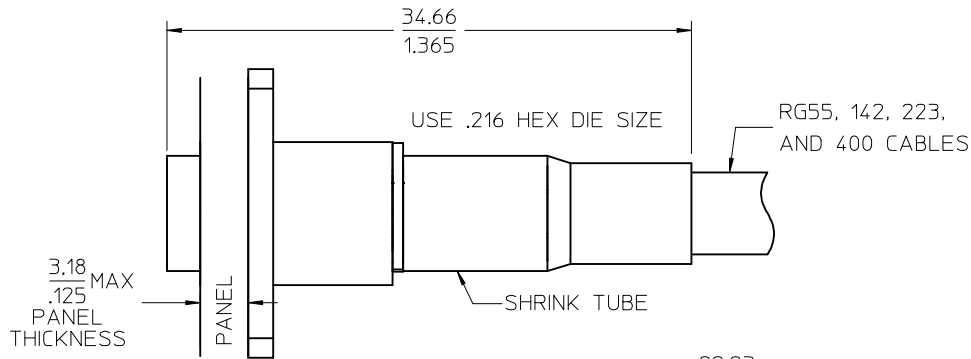
CABLE CONTACT, CONTACT COVER: BRASS  
PLATED GOLD

WASHER, CRIMP TUBE: BRASS  
PLATED NICKEL

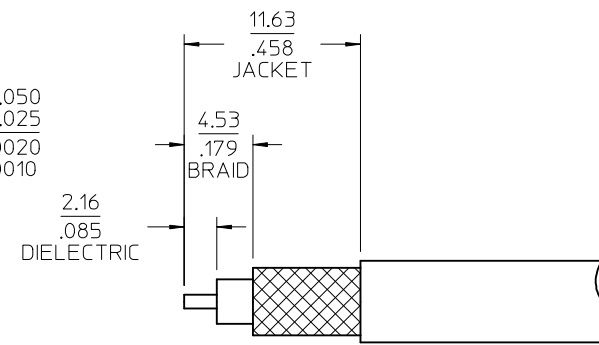
SPRING: STEEL  
PLATED NICKEL

INSULATOR: TEFLON

HEX DIE SIZE: .216"



RECOMMENDED MOUNTING  
HOLE PATTERN



73298-0021	-0020, ONE PER BAG
73298-0020	100 PER BAG
PART NO	PACKAGING

PS-89675-1870	ELEC/MECH PERFORMANCE
MIL-STD-348A, FIG. 321.2	INTERFACE
SPECIFICATION	DESCRIPTION

CHG/UPDATED VIEWS PER RF15-E307	EC NO: URF2016-0160	DRW/REV: DRW/RYEH	CHKD: CHKH	APPR: YCHENG	DESCRIPTION: 2015/09/02	REV: 2015/09/07
QUALITY SYMBOLS	▽=0	▽=0	▽=0			

GENERAL TOLERANCES (UNLESS SPECIFIED)	mm	INCH
4 PLACES	± .005	± .0002
3 PLACES	± .005	± .0002
2 PLACES	± .005	± .0002
1 PLACE	± .005	± .0002
0 PLACE	± .005	± .0002
ANGULAR ± 2°		
DRAFT WHERE APPLICABLE MUST REMAIN WITHIN DIMENSIONS		

DIMENSION STYLE	MM/IN
SCALE	4:1
DESIGN UNITS	METRIC
THIRD ANGLE PROJECTION	
DRAWN BY	TEF
DATE	2003/12/05
CHECKED BY	SSS
DATE	2003/12/05
APPROVED BY	GMH
DATE	2003/12/05
MATERIAL NO.	SEE TABLE
DOCUMENT NO.	SD-73298-002
SHEET NO.	1 OF 1

TITLE		BMA JACK, 2H FLG, FLOAT MT FOR RG55 CABLE, 50 OHMS EWR-2217 BMA-JC/F
DRAWN BY		TEF
DATE		2003/12/05
CHECKED BY		SSS
DATE		2003/12/05
APPROVED BY		GMH
DATE		2003/12/05
MATERIAL NO.		SEE TABLE
DOCUMENT NO.		SD-73298-002
SHEET NO.		1 OF 1