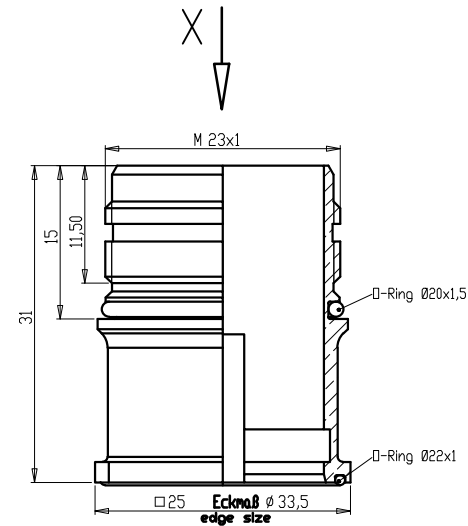
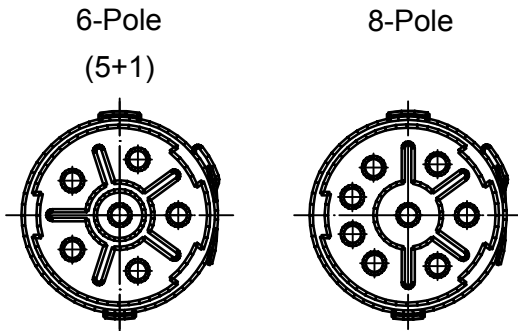
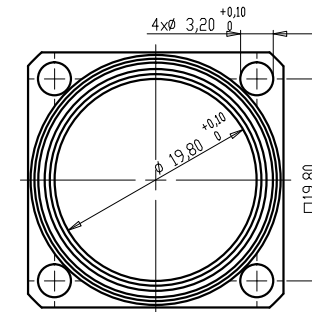


# Views from "X" rotated



	Cable Diameter	Crimp Contacts	Without Contacts
6 Pole (5+PE)		KRP6G06-103	KRP6G06-003
		1202340005	1202340006
	Crimp range*	0,75-2,5mm <sup>2</sup>	
8 Pole (4+3+PE)		KRP8G06-113	KRP8G06-003
		1202340007	1202340008
	Crimp range*	0,25-1,0mm <sup>2</sup> /0,75-2,5mm <sup>2</sup>	



\*Crimp range only applies to "Crimp Contacts" version

## Notes:

Tolerances (unless specified): DIN ISO 2768 m

DESCRIPTION EC NO: IP/G2015-0907 DRWN: BBR/RAUCH 2014/11/19 CHKD: ZISMAYIL 2014/11/19 APPR: CBURGER	QUALITY SYMBOLS	GENERAL TOLERANCES (UNLESS SPECIFIED)		DIMENSION STYLE		SCALE	DESIGN UNITS	THIRD ANGLE PROJECTION
	▽ = 0	mm	INCH	MM		---	METRIC	
	▽ = 0	4 PLACES ± ---	± ---	DRAWN BY	DATE	REC M23 XP MA STR FM 4 X Ø 3.2MM --- <b>molex</b>		
		3 PLACES ± ---	± ---	BB	2008/11/19			
	2 PLACES ± 0.05	± ---	CHECKED BY	DATE	SD-120234-002 1 OF 1			
	1 PLACE ± 0.1	± ---	JKO	2008/12/09				
	0 PLACE ± ---	± ---	APPROVED BY	DATE	MATERIAL NO. DOCUMENT NO.			
	ANGULAR ± --- °	---	---	---				
		DRAFT WHERE APPLICABLE MUST REMAIN WITHIN DIMENSIONS		SIZE	THIS DRAWING CONTAINS INFORMATION THAT IS PROPRIETARY TO MOLEX INCORPORATED AND SHOULD NOT BE USED WITHOUT WRITTEN PERMISSION			
				A3				