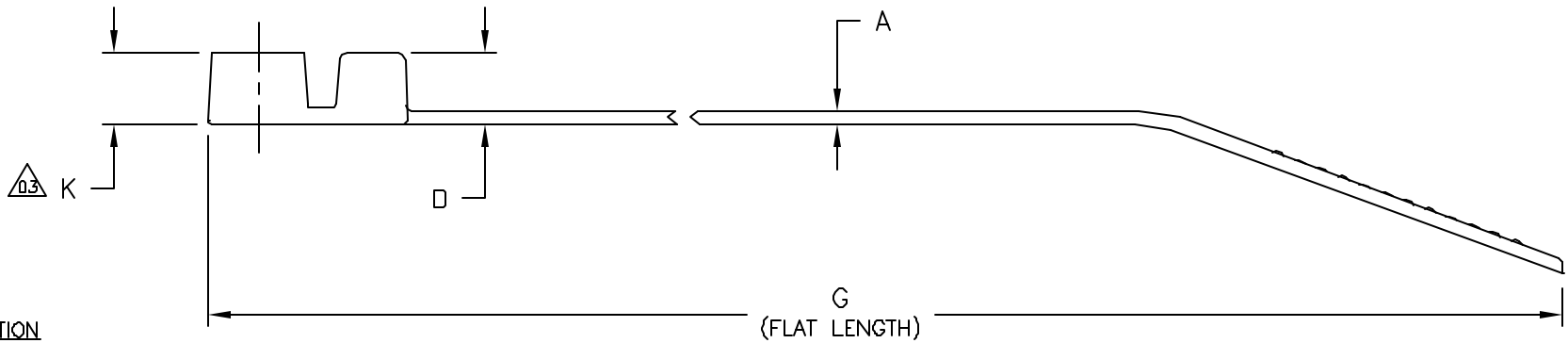


Revision level		Revision Record	Changed	Date	Approved	Date
part	drawing					
-	03					



Group Order Number	Product Code	Cable Range (mm)	Material	A	B	D	E	G	H	J	K	Min Loop Tensile Strength (newtons)
	T120MR	5 to 102	PA66	1.8 ±0.2	7.6±0.3	7.9 ±0.5	13.4 ±0.7	395.0 ±20.0	28.4 ±0.9	6.5 ±0.2	7.9 ±0.5	535
	T120MR_HS		PA66HS									
	T120MR_UV		PA66UV									

SEE CHART

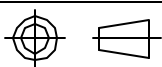
Material

Dimension tolerances unless otherwise specified

- .XXXX =
- .XXX =
- .XX =
- X = ± NOTED
- < =

Dimension Units mm

PERFORMANCE SPECIFICATION



Drawn G.G.G. 08/21/91  
Approved K.A.C. 2/28/03

Scale 1:1  
Computer File Number CT\CST\2120005\_03  
Title

**ALL PROPRIETARY RIGHTS IN THE SUBJECT MATTER SHOWN ON THIS DRAWING ARE EXCLUSIVE PROPERTY OF HELLERMANN TYTON**

**HellermannTyton**

7930 N. Faulkner Rd.  
Milwaukee, WI 53224  
Ph: (414) 355-1130  
Fx: (414) 362-8338

**T120MR MOUNTING CABLE TIE**

Drawing-No

**CT2120005CST**

Format

AH

Sheet 1 of 1