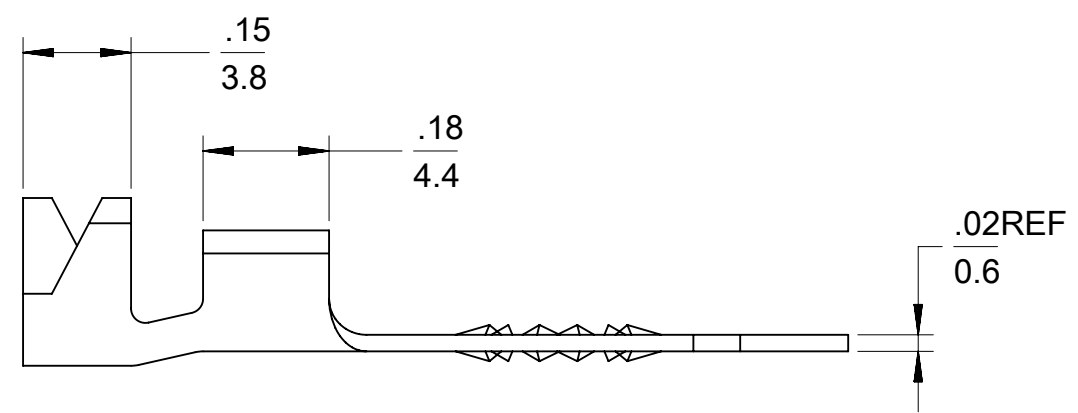
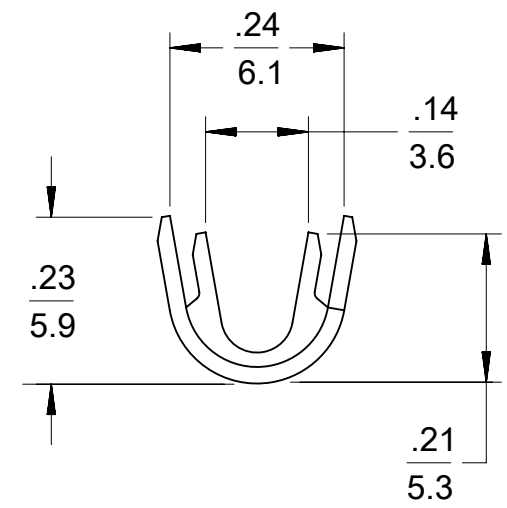
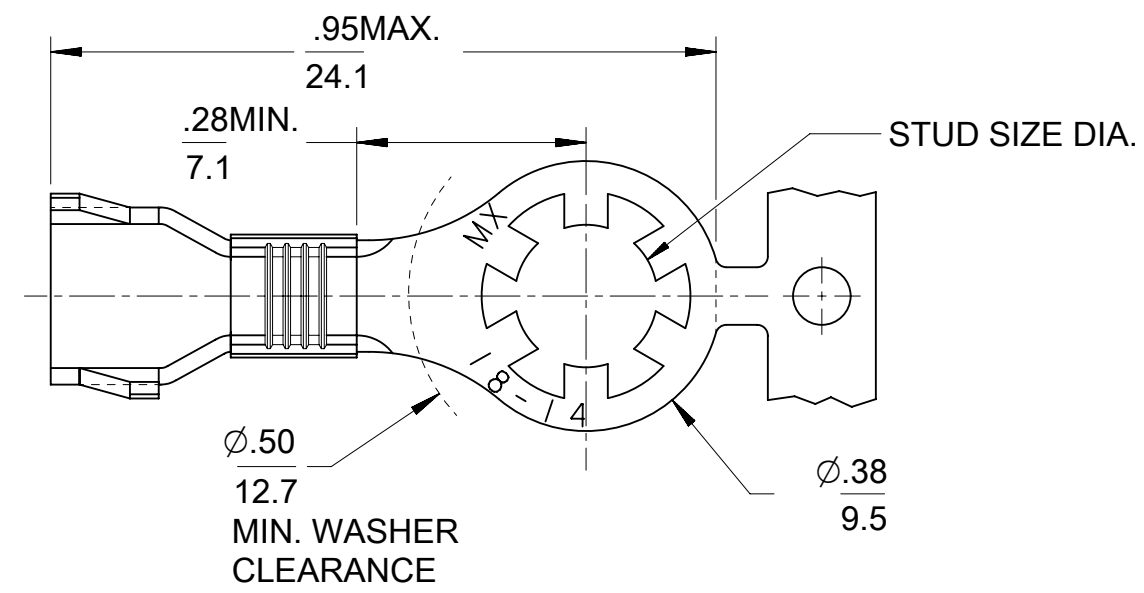


| MATERIAL NO. | ENG. NO.      | STUD SIZE | "S"±.003  | MATERIAL | PLATING     |
|--------------|---------------|-----------|-----------|----------|-------------|
| 190840004    | SRZ-4129-06   | 6         | .146/3.71 | BRASS    | ELECTRO-TIN |
| 190840005    | SRZ-4129-08   | 8         | .173/4.39 |          |             |
| 190840006    | SRZ-4129-10   | 10        | .198/5.03 |          |             |
| 190840007    | SRZ-S-4129-06 | 6         | .146/3.71 | STEEL    |             |
| 190840008    | SRZ-S-4129-08 | 8         | .173/4.39 |          |             |
| 190840009    | SRZ-S-4129-10 | 10        | .198/5.03 |          |             |

Ⓢ



NOTE(S):  
 1. WIRE: SIZE: 18-14 AWG  
 0.7 - 2.6 MM<sup>2</sup>  
 2. PARTS ARE RoHS COMPLAINT.

THIS DRAWING CONTAINS INFORMATION THAT IS PROPRIETARY TO MOLEX ELECTRONIC TECHNOLOGIES, LLC AND SHOULD NOT BE USED WITHOUT WRITTEN PERMISSION

|  |       |  |         |  |                |                            |
|--|-------|--|---------|--|----------------|----------------------------|
| DIMENSION UNITS                                      | SCALE | CURRENT REV DESC: PLATING - TIN WAS NONE |         | <b>molex</b>   |                |                            |
| INCH/MM  | NTS   |  |         |  |                |                            |
| GENERAL TOLERANCES (UNLESS SPECIFIED)                |       |  |         | OPEN BARREL STRIP<br>STAR RING, VIBRAKRIMP 18-14 AWG |                |                            |
|  | MM    | INCH                                     |         | PRODUCT CUSTOMER DRAWING                             |                |                            |
| 4 PLACES   | ±     |  | ±       | EC NO: 659487  |                |                            |
| 3 PLACES   | ±     |  | ± 0.005 | DRWN: CD 2020/05/19                                  |                |                            |
| 2 PLACES   | ±     | 0.13                                     | ± 0.01  | CHK'D: JMACNEIL 2020/05/21                           |                |                            |
| 1 PLACE  | ±     | 0.25                                     | ±       | APPR: JMACNEIL 2021/03/29                            |                |                            |
| 0 PLACES   | ±     |  | ±       | INITIAL REVISION:                                    |                |                            |
| ANGULAR TOL  |       | ± 0.5°                                   |         | DRWN: JHACKNEY 1995/05/05                            |                |                            |
|  |       |  |         | APPR: RDEROSS 1995/05/05                             |                |                            |
| DRAFT WHERE APPLICABLE MUST REMAIN WITHIN DIMENSIONS |       | THIRD ANGLE PROJECTION                   |         | DRAWING  | SERIES         | DOCUMENT NUMBER            |
|  |       | ⊕  |         | B-SIZE   | 19084          | SD-19084-001               |
|  |       |  |         | SEE TABLE  | GENERAL MARKET | DOC TYPE DOC PART REVISION |
|  |       |  |         |  |                | PSD 001 C1                 |
|  |       |  |         |  |                | SHEET NUMBER               |
|  |       |  |         |  |                | 1 OF 1                     |