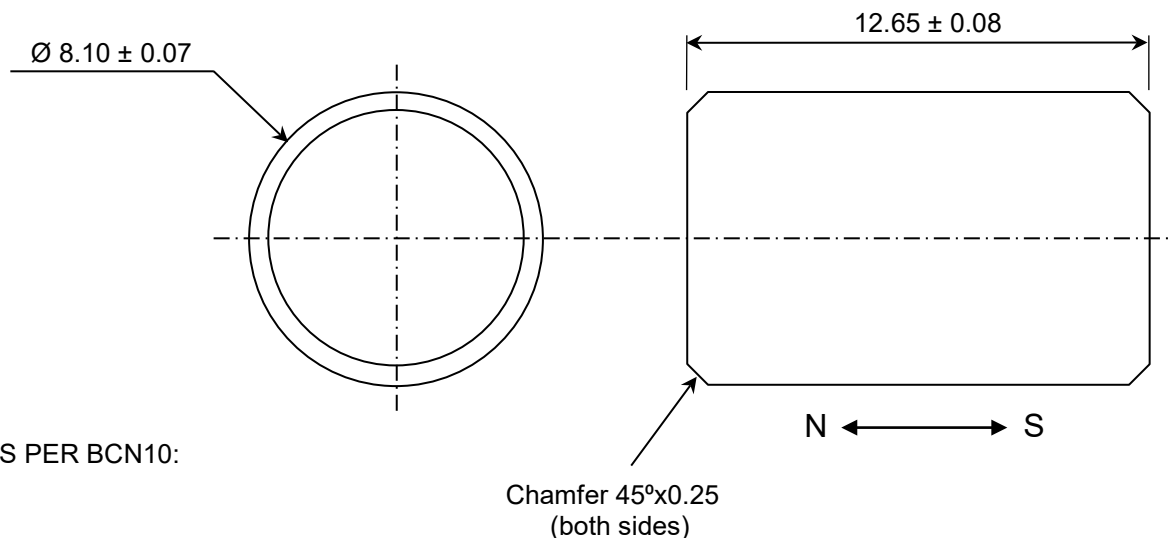


ALL DIMENSIONS ARE IN MM

**CONFIDENTIAL & PROPRIETARY INFORMATION**  
 This document contains Confidential and Proprietary Information of Alliance LLC, and all design, manufacturing, reproduction, use, and sale rights of such information are expressly reserved



1. MAGNET PROPERTIES PER BCN10:

Br: 6,700-7,200 G  
 Hc: 5,500-6,500 Oe  
 Hci:  $\geq 8,500$  Oe  
 BH<sub>(max)</sub>: 9-11 MGOe  
 T max: 120° C

2. UNCOATED

3. MAGNETIZED THROUGH LENGTH  
 (can be magnetized across diameter)



Rev	Date	By

TOLERANCES  
 (UNLESS OTHERWISE NOTED)

DECIMAL	METRIC
X.XX = $\pm .01$	X.X = $\pm .25$
X.XXX = $\pm .005$	X.XX = $\pm .13$

ANGLES  
 $\pm .5^\circ$

DO NOT SCALE DRAWING

<b>Alliance LLC</b> 1450 CLARK DRIVE, VALPARAISO, INDIANA 46385		
DESCRIPTION: RARE EARTH ROD MAGNET		
P/N: YB-093-1		SENSOR MAGNET
Mat'l: Bonded NdFeB	Dwg by: BT	REV LEVEL: A
COATING: None	Apr by: DV	Apr. Dated: 03-14-2020