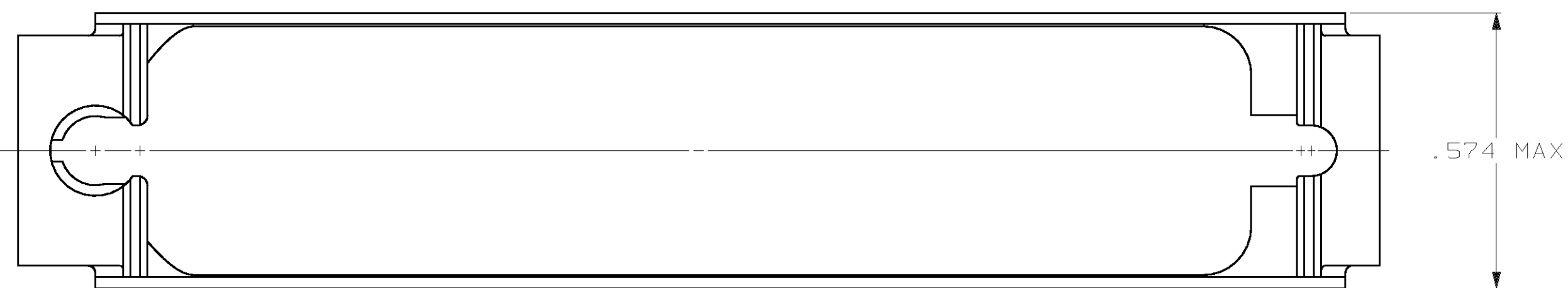
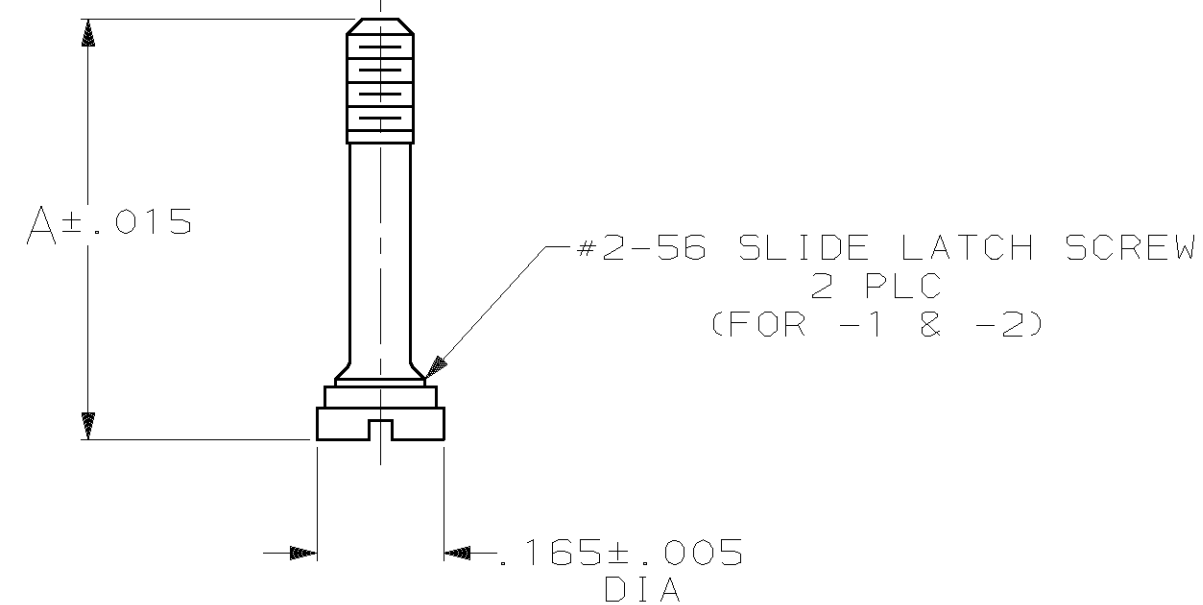
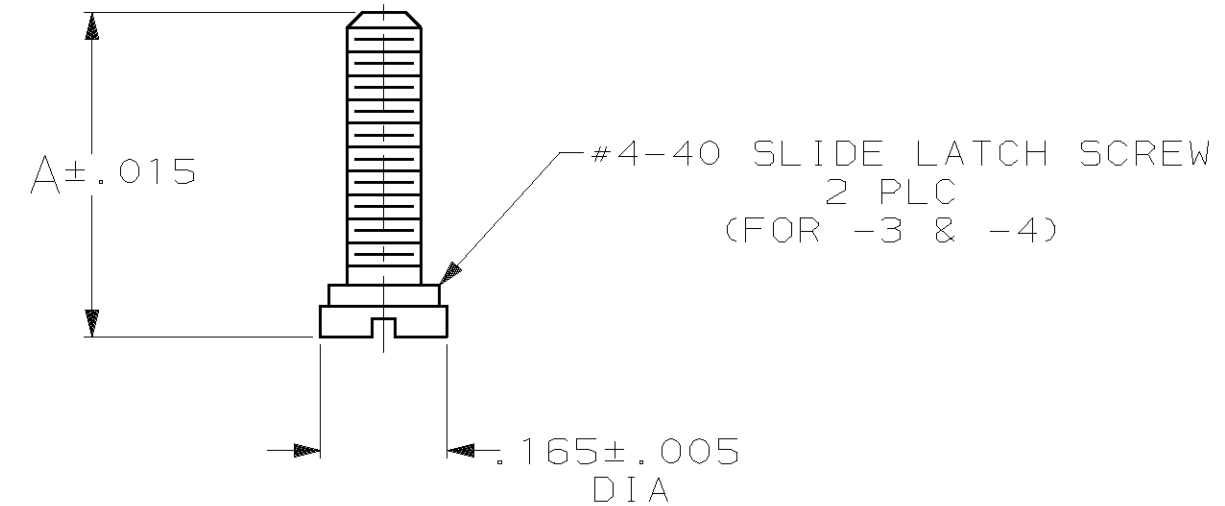
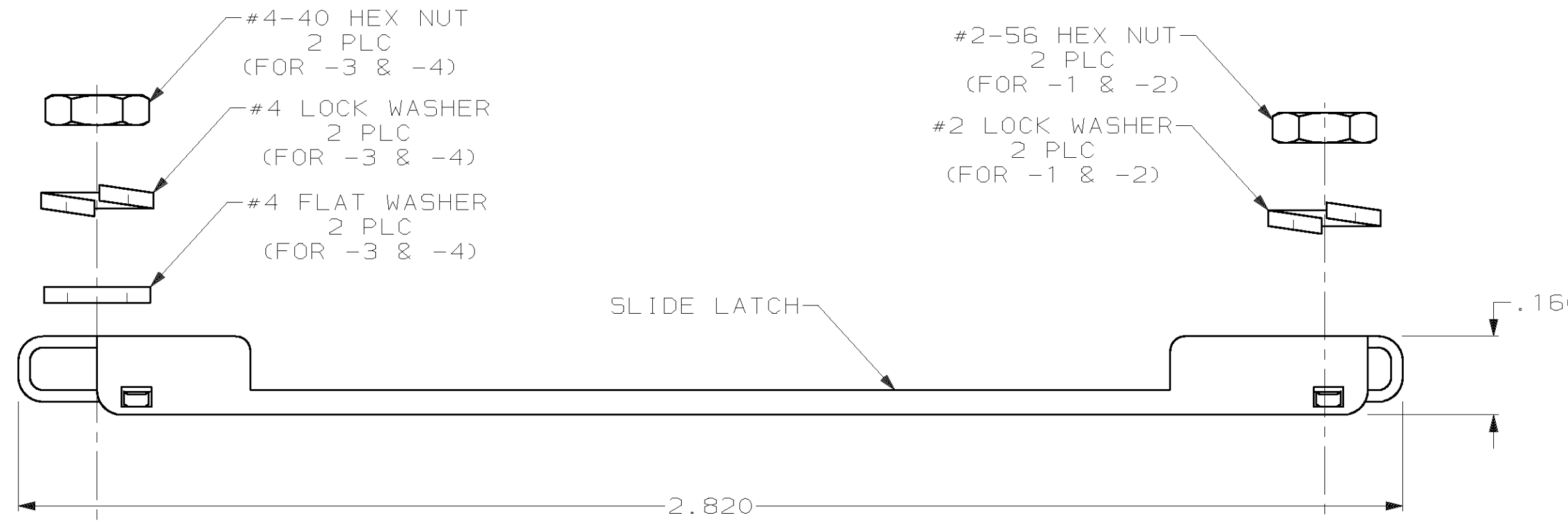


THIS DRAWING IS UNPUBLISHED. RELEASED FOR PUBLICATION ,19 .
 © COPYRIGHT 19 BY AMP INCORPORATED. ALL INTERNATIONAL RIGHTS RESERVED.

LOC		DIST		REVISIONS				DATE	APPD
GP	00	P	F	ZONE	LTR	DESCRIPTION			
					H	REV PER 0U1D-0274-00	22 OCT 01	JR	
					J	REV PER EC 0UE0-0002-01	10 JAN 02	JR	



1. PARTS PACKAGED UNASSEMBLED.
- ② PARTS PACKAGED AS A UNIT KIT.
- ③ PARTS INDIVIDUALLY BULK PACKAGED & SHIPPED AS A UNIT PACKAGE.
- ④ ZINC PLATED PER ASTM B633, TYPE III, CLASS SC1, CLEAR CHROMATE.
- ⑤ ZINC PLATED PER ASTM B633, TYPE II, CLASS SC1, YELLOW CHROMATE.
- ⑥ THIS KIT CAN BE USED WITH TWO-PIECE STRAIGHT/90° EXIT CABLE CLAMPS, RFI/EMI CABLE CLAMPS OR UNIVERSAL CABLE CLAMPS.
- ⑦ THIS KIT CAN BE USED WITH STRAIGHT/45° EXIT ONE-PIECE CABLE CLAMPS, STRAIGHT/90° EXIT ONE-PIECE CABLE CLAMPS, OR ON CONNECTORS WITHOUT CABLE CLAMPS.

REVISION	DESCRIPTION	DATE	APPD
①	SUPERSEDED BY 745578-3	.415	⑤
②		.415	⑤
③	OBSOLETE	.547	④
④	OBSOLETE	.547	④

FINISH	APPLICATION SPEC	SIZE	FSCM NO	DRAWING NO
HARDWARE FINISH <td>-</td> <td>C</td> <td>00779</td> <td>745578</td>	-	C	00779	745578
THREAD TYPE <td>-</td> <td>SCALE</td> <td>4:1</td> <td>SHEET 1 OF 1</td>	-	SCALE	4:1	SHEET 1 OF 1
PACKAGING <td>-</td> <td colspan="2">KIT, SLIDE LATCH, SIZE 5, 50 POSITION, AMPLIMITE®</td> <td></td>	-	KIT, SLIDE LATCH, SIZE 5, 50 POSITION, AMPLIMITE®		

DO NOT SCALE PRINT. UNLESS SPECIFIED DIMENSIONS IN INCHES TOLERANCES ON :
 2 PLC DEC ± -
 3 PLC DEC ± .010
 ANGLES ± -

MATERIAL
 SLIDE LATCH: STAINLESS STEEL
 HARDWARE: STEEL PER ASTM A108

FINISH
 HARDWARE: SEE TABLE

DR 8-12-88 L SIPE
 CHK 8-12-88 W LENKER
 APPD 8-15-88 R WHYNE
 APPD 8-16-88 J SHOWERS
 PRODUCT SPEC -
 APPLICATION SPEC -
 WEIGHT -

AMP | AMP INCORPORATED
 Harrisburg, Pa. 17105

NAME

SIZE FSCM NO DRAWING NO
 C 00779 745578