

HC-B 24-SFQD-67/M1M25 - Housing

1586992

<https://www.phoenixcontact.com/us/products/1586992>

Please be informed that the data shown in this PDF document is generated from our online catalog. Please find the complete data in the user documentation. Our general terms of use for downloads are valid.



Box mounting base, for double locking latch, height 67 mm, with screw connection, 1x M25, with protective cover

Commercial data

Item number	1586992
Packing unit	10 pc
Minimum order quantity	1 pc
Product key	BF7AAC
Catalog page	Page 585 (PC-2011)
GTIN	4046356427081
Weight per piece (including packing)	553.2 g
Weight per piece (excluding packing)	500 g
Country of origin	DE

HC-B 24-SFQD-67/M1M25 - Housing

1586992

<https://www.phoenixcontact.com/us/products/1586992>

Technical data

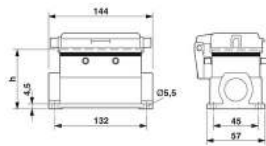
Notes

General	For contact inserts HC-B24, BB46, BBB64, D64, DD108, M
---------	--

Product properties

Type	B24
Product type	Housing with locking latch
Application	Standard
No. of cable outlets	1
Type of the screw connection	1x M25
Housing type	Box mounting bases
Protective cover	yes
Shielded	no
Cable outlet	Left (view of the opened protective cover)
Pg screw connection	with

Dimensions

Dimensional drawing	
Width	57 mm
Height	67 mm
Length	144 mm
Wrench size, union nut	25 mm

Material specifications

Material	Brass, nickel-plated
	PA
Seal material Cable seal	NBR
Housing surface material	Powder-coated, gray
Housing material	die-cast aluminum

Mechanical properties

Mechanical data

Type of the screw connection	1x M25
Locking type	Pin

Cable/line

External cable diameter (Cable 1)	9 mm ... 18 mm
-----------------------------------	----------------

HC-B 24-SFQD-67/M1M25 - Housing



1586992

<https://www.phoenixcontact.com/us/products/1586992>

Environmental and real-life conditions

Ambient conditions

Degree of protection	IP65 (When plugged in)
Ambient temperature (operation)	-40 °C ... 125 °C

HC-B 24-SFQD-67/M1M25 - Housing

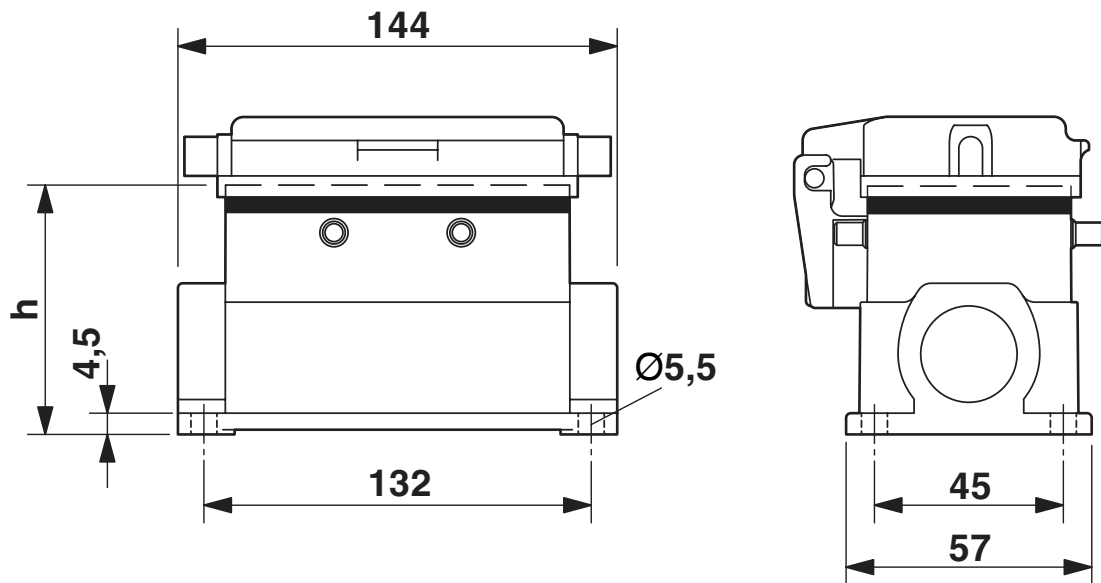


1586992

<https://www.phoenixcontact.com/us/products/1586992>

Drawings

Dimensional drawing



Dimensional drawing

HC-B 24-SFQD-67/M1M25 - Housing



1586992

<https://www.phoenixcontact.com/us/products/1586992>

Classifications

ECLASS

ECLASS-11.0

27440202

ETIM

ETIM 7.0

EC000437

UNSPSC

UNSPSC 21.0

31261501

HC-B 24-SFQD-67/M1M25 - Housing



1586992

<https://www.phoenixcontact.com/us/products/1586992>

Environmental product compliance

China RoHS	Environmentally friendly use period: unlimited = EFUP-e
	No hazardous substances above threshold values

HC-B 24-SFQD-67/M1M25 - Housing

1586992

<https://www.phoenixcontact.com/us/products/1586992>

Accessories

HC-M-KV-M25(14-21) - Cable gland

1646007

<https://www.phoenixcontact.com/us/products/1646007>



Metal screw connection up to 5 bar, thread length: 7 mm, cable diameter: 14 - 21 mm, WAF 34, screw connection: M25

G-INS-M25-M68N-NNES-S - Cable gland

1411165

<https://www.phoenixcontact.com/us/products/1411165>



Cable gland, material for screw connection: Brass, nickel-plated, external cable diameter 11 mm ... 17 mm, shielding: no, connecting thread: M25 x 1.5, color: silver, with O-ring

HC-B 24-SFQD-67/M1M25 - Housing

1586992

<https://www.phoenixcontact.com/us/products/1586992>



HC-M-KV-M25(1ASI) - Cable gland

1584020

<https://www.phoenixcontact.com/us/products/1584020>



Metal screw connection for an AS-Interface flat-ribbon conductor, thread type M25

HC-M-KV-M25(1X10/1X11) - Cable gland

1580228

<https://www.phoenixcontact.com/us/products/1580228>



Special cable screw connection M25, brass nickel-plated, grommet with 10 mm and 11 mm holes

Phoenix Contact 2023 © - all rights reserved
<https://www.phoenixcontact.com>

Phoenix Contact USA
586 Fulling Mill Road
Middletown, PA 17057, United States
(+717) 944-1300
info@phoenixcon.com