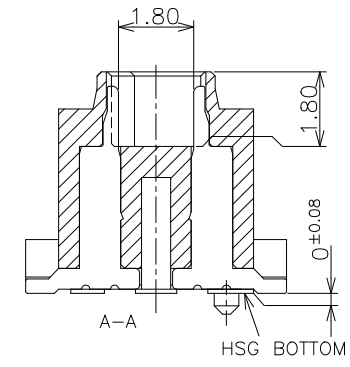
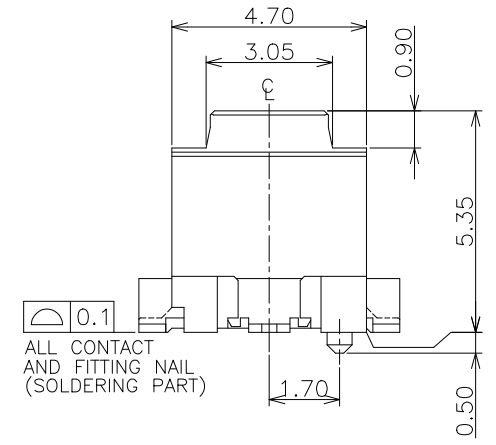
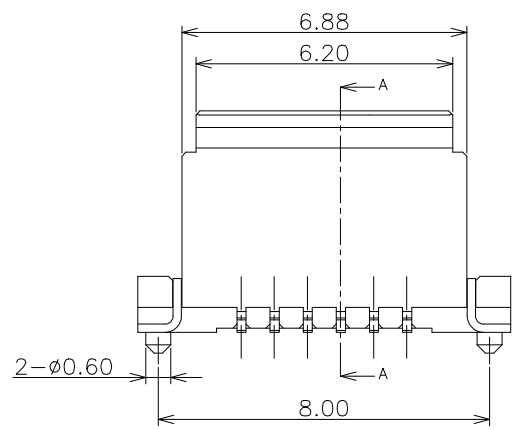
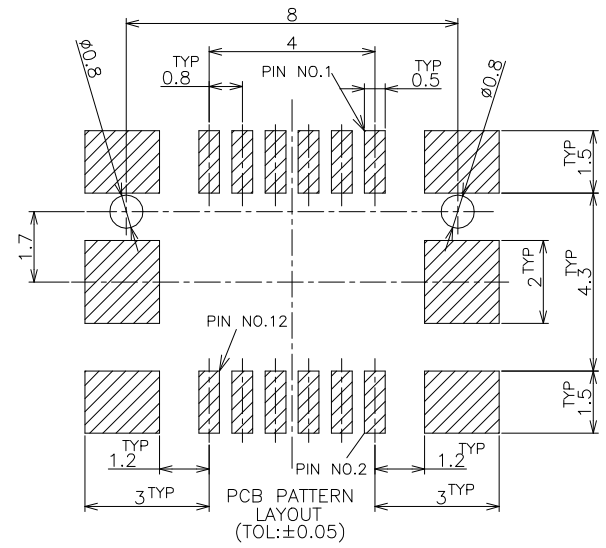
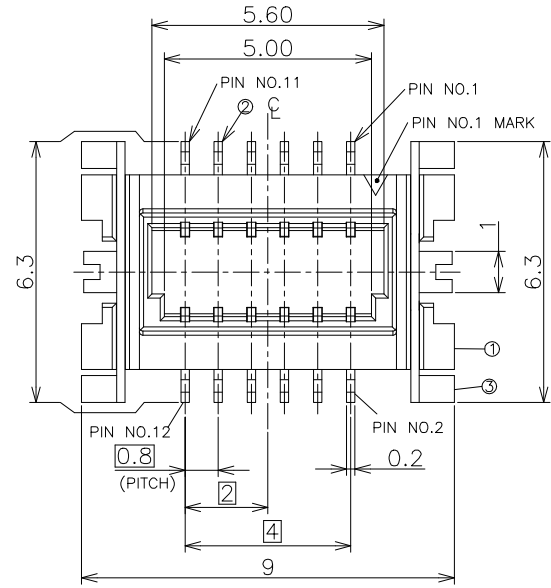


REVISIONS				
変更				
P	LTR	DESCRIPTION	DATE	DWN APVD
E1		REVISED(ECR-19-013959)	06SEP2019	A.L H.L

- NOTE
- MATERIAL:
 - ① HOUSING : SEE BELOW CHART, UL94V-0 NATURAL
 - ② CONTACT : PHOSPHOR BRONZE
 - ③ FITTING NAIL : BRASS
 - FINISH:
 - CONTACT : TIN (MATTE) PLATED ALL OVER.
NICKEL UNDERPLATED ALL OVER.
 - FITTING NAIL : TIN (MATTE) PLATED ALL OVER.
NICKEL UNDERPLATED ALL OVER.



LCP	WITH	12P	2-2040478-2
THE MC	PLASTIC	29	2-2040478
MATERIAL	CAP	POS	2040478-2
			PART NO.

OBsolete

AS SHOWN: 1-2040478-2
 AND STATUS OF WITHOUT CAP 2-2040478-2, 3-2040478-2

THIS DRAWING IS A CONTROLLED DOCUMENT.		DWN H.FUKUZAKI 21MAR2008	TE Connectivity Ltd.	
DIMENSIONS: 単位: 耗 mm		CHK T.YAMADA 21MAR2008		
TOLERANCES UNLESS OTHERWISE SPECIFIED: 一般公差		APVD T.YAMADA 21MAR2008	NAME 名称	
0 PLC ± 0.3		PRODUCT SPEC 製品規格	BOARD TO BOARD	
1 PLC ± 0.3		APPLICATION SPEC 取付適用規格	0.8mm PITCH 6.0HEIGHT VERTICAL, SMT TYPE	
2 PLC ± 0.2		WEIGHT	SIZE A3	CAGE CODE 00779
3 PLC ± -		CUSTOMER DRAWING	DRAWING NO 番号 G=2040478	
4 PLC ± -			SCALE 尺度 NTS	SHEET 1 OF 5
ANGLES ± 3'			REV E1	
FINISH 仕上				
MATERIAL 材料				

THIS DRAWING IS UNPUBLISHED.

RELEASED FOR PUBLICATION

MAR ,2008.

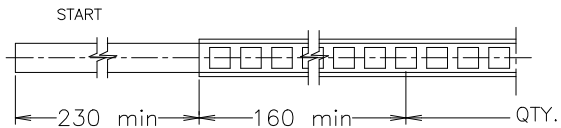
© COPYRIGHT 2008 TE Connectivity Ltd.

ALL RIGHTS RESERVED.

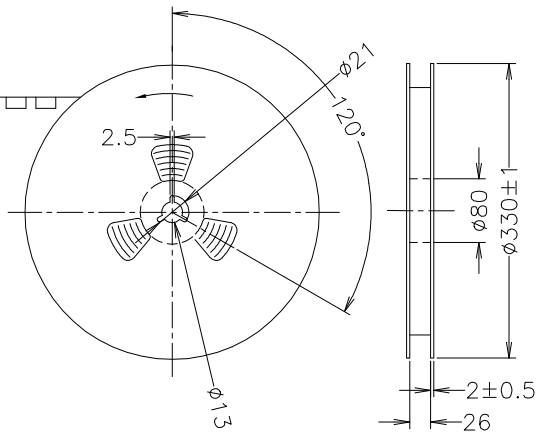
REVISIONS

変更

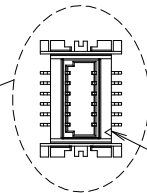
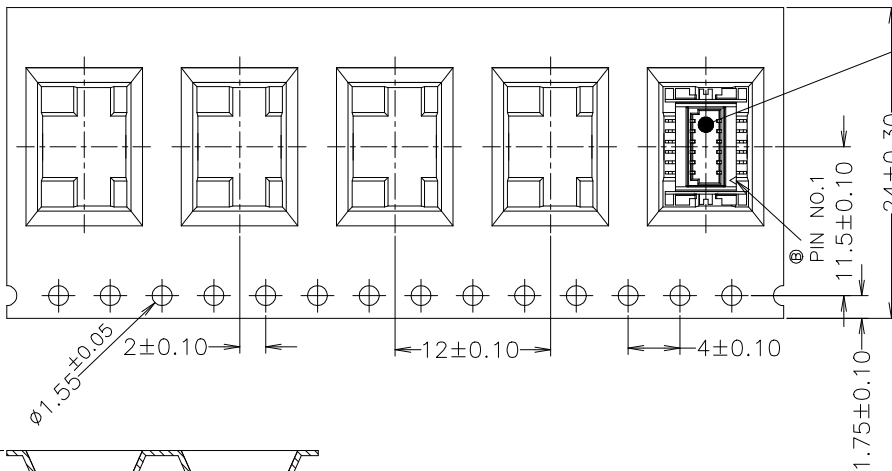
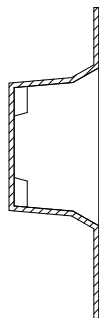
P	LTR	DESCRIPTION	DATE	DWN	APVD
-	-	SEE SHEET 1	-	-	-



FEED OUT DIRECTION



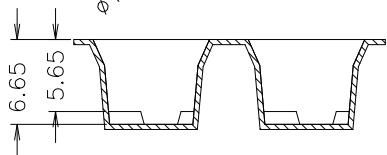
FEED OUT DIRECTION



PIN NO.1 MARK

OBSELETE

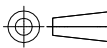
AS SHOWN: 1-2040478-2



THIS DRAWING IS A CONTROLLED DOCUMENT.

DIMENSIONS: 单位: 耗 mm

TOLERANCES UNLESS OTHERWISE SPECIFIED: 一般公差



MATERIAL 材料

FINISH 仕上

0 PLC	± 0.3
1 PLC	± 0.3
2 PLC	± 0.2
3 PLC	± -
4 PLC	± -
ANGLES	± 3'

DWN	H.FUKUZAKI	21MAR2008
CHK	T.YAMADA	21MAR2008
APVD	T.YAMADA	21MAR2008
PRODUCT SPEC	108-78548	
APPLICATION SPEC	取付適用規格	
WEIGHT	CUSTOMER DRAWING	

NAME 名称		BOARD TO BOARD		RESTRICTED TO
TE Connectivity Ltd.		0.8mm PITCH 6.0HEIGHT VERTICAL, SMT TYPE		
SIZE	CAGE CODE	DRAWING NO 番号		
A3	00779	G=2040478		
SCALE 尺度	NTS	SHEET	2 OF 5	REV E1

4

3

2

1

THIS DRAWING IS UNPUBLISHED.

RELEASED FOR PUBLICATION

MAR ,2008.

© COPYRIGHT 2008 TE Connectivity Ltd.

ALL RIGHTS RESERVED.

REVISIONS

変更

P	LTR	DESCRIPTION	DATE	DWN	APVD
-	-	SEE SHEET 1	-	-	-

NOTE

1. MATERIAL:

CAP : THERMOPLASTIC OR LCP, UL94V-0
OTHR COMPONENT : SEE SHEET1

Top view of the component showing dimensions: 6.3, 9, 0.8 (PITCH), 2, 0.2, 4, and PIN NO.1.

PCB PATTERN LAYOUT (TOL:±0.05) showing dimensions: 8, 4, 0.8, 0.5, 1.5, 1.7, 4.3, 2, 1.2, 3, 1.2, 3, PIN NO.1, PIN NO.12, PIN NO.2.

Front view of the component showing dimensions: 6.88, 5.50, 5.35, 2-∅0.60, 8.00, and CAP.

Side view of the component showing dimensions: 4.70, 4.30, 5.65, ±0.5, 1.70, 0.50, and 0.1.

ALL CONTACT
AND FITTING NAIL
(SOLDERING PART)

Cross-section A-A of the component showing dimensions: 1.80, 1.80, 0±0.08, and HSG BOTTOM SURFACE.

OBSELETE

AS SHOWN: 2-2040478-2, 3-2040478-2

THIS DRAWING IS A CONTROLLED DOCUMENT.

DWN H.FUKUZAKI 21MAR2008

CHK T.YAMADA 21MAR2008

APVD T.YAMADA 21MAR2008

PRODUCT SPEC

108-78548

APPLICATION SPEC

WEIGHT

CUSTOMER DRAWING

TE

TE Connectivity Ltd.

NAME

BOARD TO BOARD

0.8mm PITCH 6.0HEIGHT VERTICAL, SMT TYPE

SIZE

A3

CAGE CODE

00779

DRAWING NO

G=2040478

RESTRICTED TO

SCALE

NTS

SHEET

3 OF 5

REV

E1

DIMENSIONS:
単位: 耗
mmTOLERANCES UNLESS
OTHERWISE SPECIFIED:
一般公差

0 PLC	± 0.3
1 PLC	± 0.3
2 PLC	± 0.2
3 PLC	± -
4 PLC	± -
ANGLES	± 3'

MATERIAL
材料FINISH
仕上

1470-19 (1/15)

4

3

2

1

THIS DRAWING IS UNPUBLISHED.

RELEASED FOR PUBLICATION

MAR, 2008.

© COPYRIGHT 2008 TE Connectivity Ltd.

ALL RIGHTS RESERVED.

REVISIONS

変更

P	LTR	DESCRIPTION	DATE	DWN	APVD
-	-	SEE SHEET 1	-	-	-

START

FEED OUT DIRECTION

NOTE

- MATERIAL
 - EMBOSSED CARRIER: PS
 - COVER TAPE: PS
 - SHIPPING CARTON: CORRUGATED FIBER
- DIMENSION
 - REEL: W=24.0
 - SHIPPING CARTON: L=350, W=350, H=350
- QUANTITY
 - PRIMARY PACKING: 700PCS/REEL
 - SECONDARY PACKING: 10 REELS/CARTON(7000PCS)Ⓢ
- WEIGHT
 - GROSS WEIGHT: 0.58kgf/REEL, 6.3kgf/CARTON.
- PEELING RESISTANCE: 30.0gf~120.0gf
(PEELING SPEED: 300mm/minutes.)

FEED OUT DIRECTION

PIN NO.1 MARK

REF

OBSELETE

AS SHOWN: 2-2040478-2, 3-2040478-2

THIS DRAWING IS A CONTROLLED DOCUMENT.

DWN H.FUKUZAKI 21MAR2008

CHK T.YAMADA 21MAR2008

APVD T.YAMADA 21MAR2008

PRODUCT SPEC

製品規格 108-78548

APPLICATION SPEC

取付適用規格

WEIGHT

CUSTOMER DRAWING

TE

TE Connectivity Ltd.

NAME

BOARD TO BOARD

0.8mm PITCH 6.0HEIGHT VERTICAL, SMT TYPE

SIZE

A3

CAGE CODE

00779

DRAWING NO

G=2040478

RESTRICTED TO

REV E1

DIMENSIONS:

單位: 耗

mm

TOLERANCES UNLESS OTHERWISE SPECIFIED:

一般公差

0 PLC ± 0.3

1 PLC ± 0.3

2 PLC ± 0.2

3 PLC ± -

4 PLC ± -

ANGLES ± 3'

MATERIAL

材料

FINISH

仕上

1470-19 (1/15)

THIS DRAWING IS UNPUBLISHED.

RELEASED FOR PUBLICATION

MAR., 2008.

© COPYRIGHT 2008 TE Connectivity Ltd.

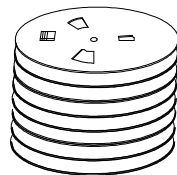
ALL RIGHTS RESERVED.

REVISIONS

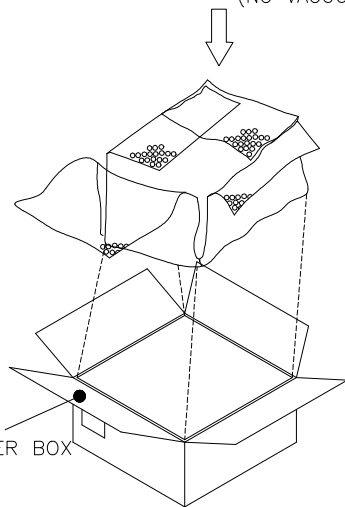
変更

P	LTR	DESCRIPTION	DATE	DWN	APVD
-	-	SEE SHEET 1	-	-	-

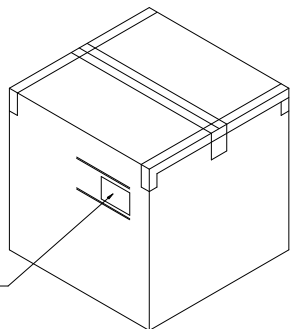
AS SHOWN: 1-2040478-2



10 x EACH REEL (NO VACUUM PACKED)



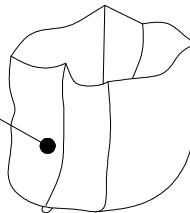
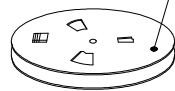
SHIPPER BOX



PASSING LABEL

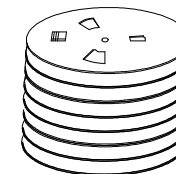
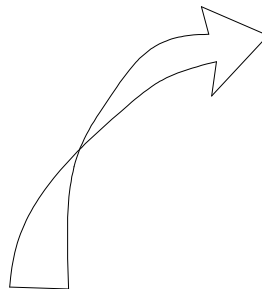
AS SHOWN: 2-2040478-2
3-2040478-2

EMBOSS TAPE REEL

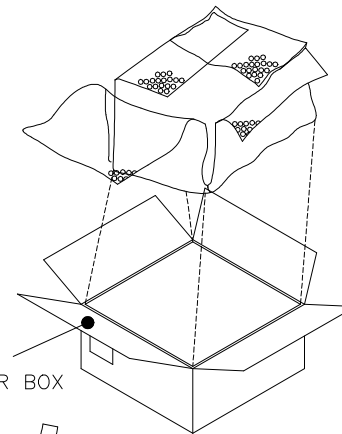


VINYL BAG

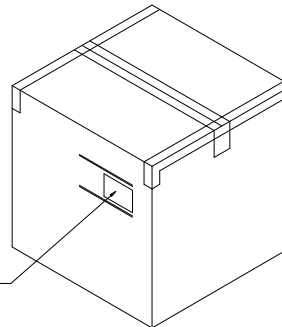
VACUUM PACKING FOR EACH REEL



10 x EACH VACUUM PACKED REEL



SHIPPER BOX



PASSING LABEL

OBSELETE

THIS DRAWING IS A CONTROLLED DOCUMENT.		DWN H.FUKUZAKI 21MAR2008	TE Connectivity Ltd.	
DIMENSIONS: 単位: 耗 mm		CHK T.YAMADA 21MAR2008		
TOLERANCES UNLESS OTHERWISE SPECIFIED: 一般公差		APVD T.YAMADA 21MAR2008	NAME 名称 BOARD TO BOARD 0.8mm PITCH 6.0HEIGHT VERTICAL, SMT TYPE	
0 PLC ± 0.3 1 PLC ± 0.3 2 PLC ± 0.2 3 PLC ± - 4 PLC ± - ANGLES ± 3°		PRODUCT SPEC 製品規格 108-78548	SIZE A3	
MATERIAL 材料		APPLICATION SPEC 取付適用規格	CAGE CODE 00779	DRAWING NO 番号 G=2040478
FINISH 仕上		WEIGHT	RESTRICTED TO	
		CUSTOMER DRAWING	SCALE 尺度 NTS	SHEET 5 OF 5
			REV E1	