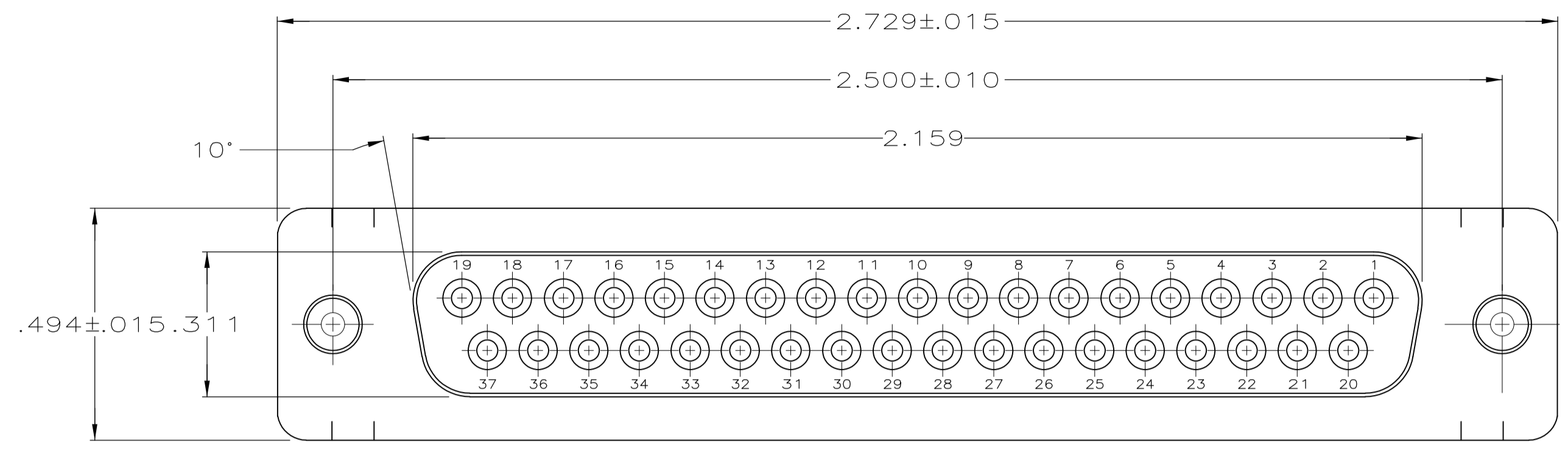
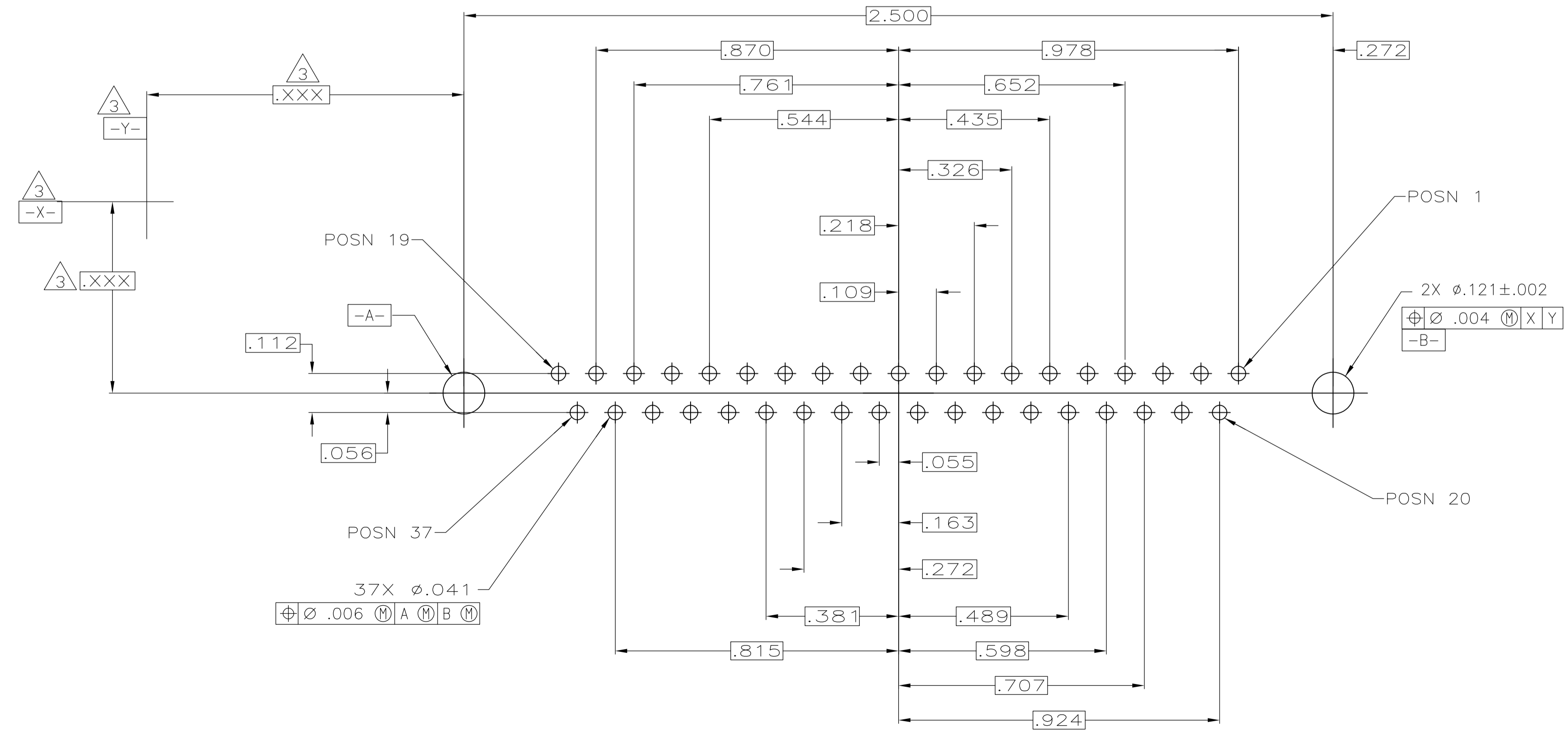
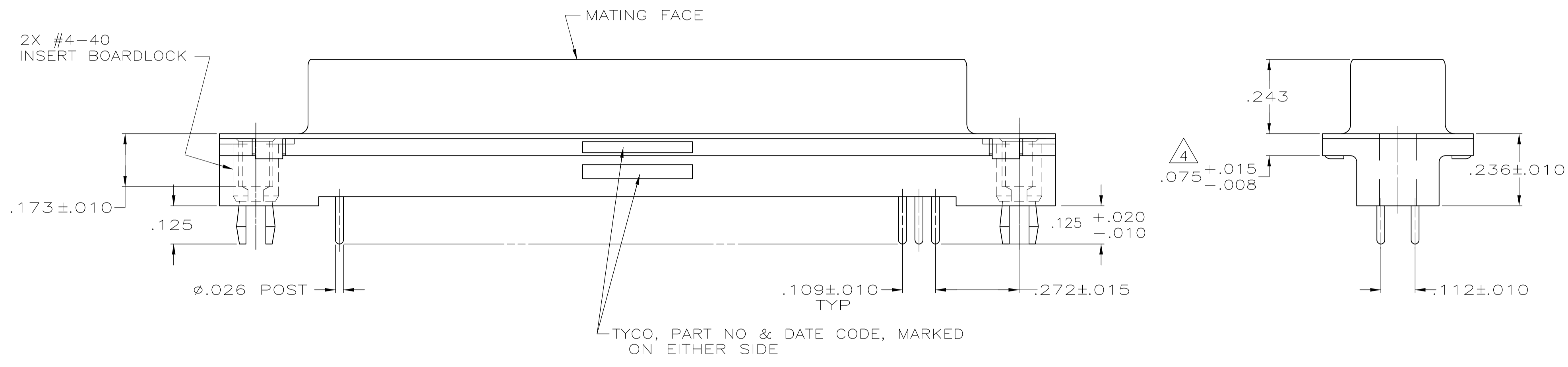


REVISIONS				
P	LTR	DESCRIPTION	DATE	APP'D
B		REVISED PER ECO-16-001548	24FEB2016	AP DG



- 1 HOUSING: POLYESTER, UL 94V-0 RATED, COLOR BLACK.  
SHELL: CARBON STEEL.  
CONTACTS: PHOS. BRONZE.  
INSERT BOARDLOCKS: BRASS.
- 2 SHELL: .000200 MIN TIN OVER .000100 MIN COPPER.  
CONTACTS: .000030 MIN GOLD FOR LENGTH OF .100 MIN FROM MATING END, .000100 MIN TIN ON TERMINATION END, ALL OVER .000050 MIN NICKEL ON ENTIRE CONTACT.  
INSERT BOARDLOCKS: .000150 MIN TIN OVER .000100 MIN COPPER.
- 3 DATUMS AND BASIC DIMENSIONS ESTABLISHED BY CUSTOMER.
- 4 .110 MAX IN SHELL TAB CLINCH AREAS.



RECOMMENDED PC BOARD MOUNTING DIMENSIONS

2-5747709-0  
PART NO

THIS DRAWING IS A CONTROLLED DOCUMENT.		DIN B LATTUCA 27SEPT05	 TE Connectivity
DIMENSIONS: INCHES		CHK S BOLASH 27SEPT05	
TOLERANCES UNLESS OTHERWISE SPECIFIED:		APP'D M WALMSLEY 27SEPT05	NAME
0. PLC	± .005	RECEPTACLE ASSEMBLY, SIZE 4, 37 POS., VERTICAL, .026 DIA. POSTS, FRONT SHELL RETENTION INSERTS, AMPLIMITE HD-20	
1. PLC	± .005	PRODUCT SPEC	
2. PLC	± .005	108-40025	
3. PLC	± .005	APPLICATION SPEC	
4. PLC	± .005	114-40023	
ANGLES	± .005	SIZE	CAGE CODE DRAWING NO
MATERIAL	FINISH	WEIGHT	A1 00779 C=5747709
CUSTOMER DRAWING		SCALE	4:1
		SHEET	1 of 1
		REV	B