

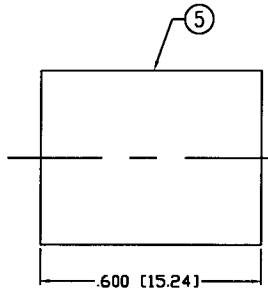
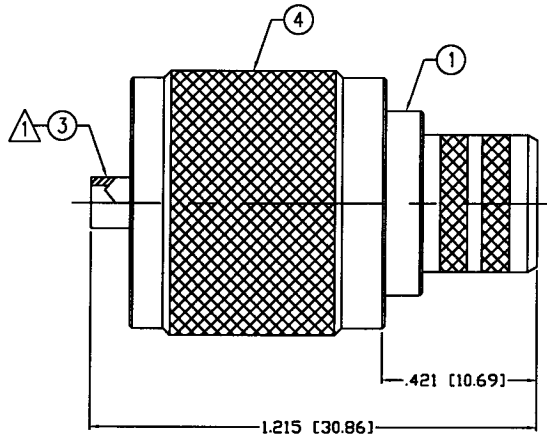
THIS DRAWING CONTAINS INFORMATION PROPRIETARY TO RF INDUSTRIES,  
 ANY UNAUTHORIZED USE OF THIS DRAWING IS EXPRESSLY PROHIBITED  
 WITHOUT WRITTEN PERMISSION FROM RF INDUSTRIES.  
 ANY VIOLATION IS PUNISHABLE UNDER U.S. COPYRIGHT LAWS.

ALL DIMENSIONS ARE REFERENCE ONLY

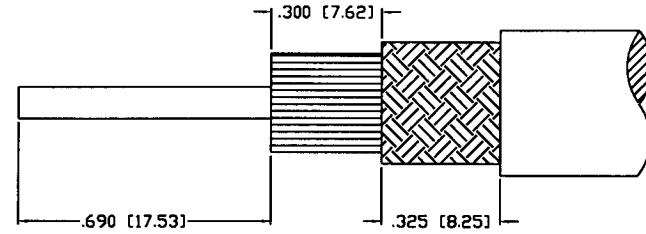
PART NO.

**RFU-507**

REV	DESCRIPTION	DWN	DATE	APPROVED
A	ENGINEERING RELEASE	CZS	11/3/98	R. RICE
B	CHANGE FERRULE STUD TO 2 BAND KNURL	CZS	1/22/03	JDMc



RECOMMENDED CRIMP DIE: .429



RECOMMENDED STRIPPING INSTRUCTIONS

**SPECIFICATIONS:**

IMPEDANCE: NON CONSTANT  
 FREQUENCY RANGE: 0-300 MHz  
 WORKING VOLTAGE: 500 V rms max. @ sea level  
 FOR RG-8, 8A, 213/U, ALPHA 9008, 9213, BELDEN 8267, 9251,  
 9880, 89880, INTERCOMP 4085, 22132, TIMES AA-4478

CRIMP CONTACT WITH .100 DIE  
 CRIMP OR SOLDER OR BOTH

1	BODY	1	BRASS	NICKEL, 100μ"	000494	
2	INSULATOR	1	DAP	PANTONE 129		
3	CONTACT	1	BRASS	SILVER, 30μ"		
4	SHELL	1	BRASS	NICKEL, 100μ"		
5	FERRULE	1	BRASS	NICKEL, 100μ"		
6						
7						
8						
9						
10						
11						
12						
13						
14						
#	DESCRIPTION	QTY	MATERIAL	FINISH	APPROVALS	DATE

UNLESS OTHERWISE SPECIFIED:  
 1. REMOVE ALL BURRS  
 2. BREAK ALL CORNERS & EDGES .005 R. MAX.  
 3. CHAMFER 1ST & LAST THREADS 45°  
 4. SURFACE ROUGHNESS 63 FINISH MIL-STD-10  
 5. DIAMETERS ON COMMON CENTERS TO BE CONCENTRIC WITHIN .002 T.I.R.  
 6. ALL DIMENSIONS ARE AFTER PLATING.

DIMENSIONS ARE IN INCHES AND [MILLIMETERS]  
 UNLESS OTHERWISE NOTED TOLERANCES ARE:  
 DECIMALS      DIAMETER  
 .xxx±.003 [.08]      .xxx±.001 [.03]  
 .xx±.005 [.13]      .xx±.003 [.08]

**RFconnectors**  
 DIVISION OF RF INDUSTRIES, LTD.  
 7610 MIRAMAR RD  
 SAN DIEGO, CA 92126  
 (858) 549-6340  
 (858) 549-6345 FAX

**UHF MALE, CRIMP**

SIZE	CABLE GROUP	DWG NO.	REV
A	E	RFU-507	B
SCALE:	NTS	CAD FILE	OUTLINE
SHEET 1 OF 1			