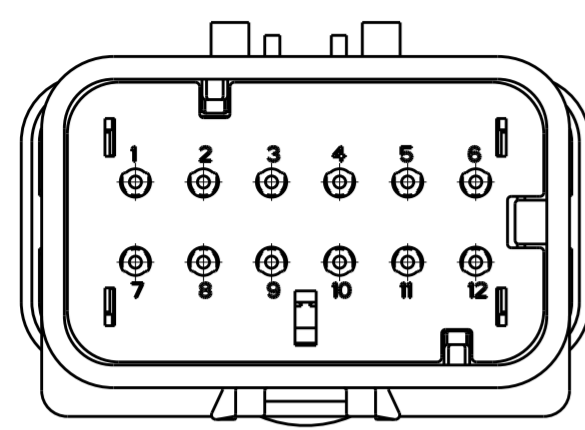
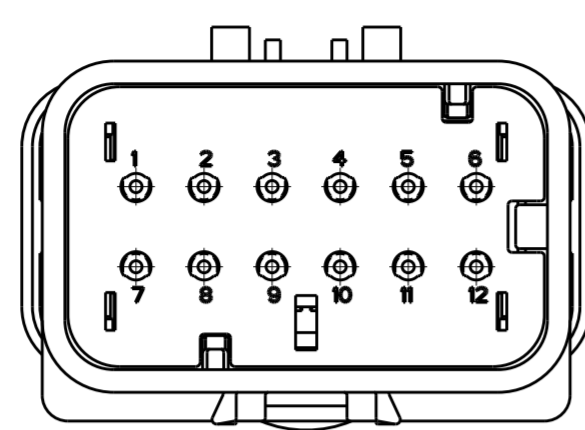


THIS DRAWING IS UNPUBLISHED
 RELEASED FOR PUBLICATION
 COPYRIGHT 20 BY - ALL RIGHTS RESERVED.

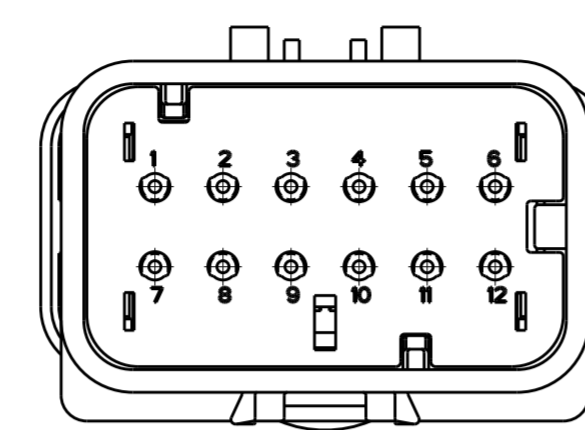
REVISIONS					
P	LTR	DESCRIPTION	DATE	DWN	APVD
A		INITIAL RELEASE PER D09-004	10FEB2009	DD	RB
B		REVISED PER ECO-13-019865	27DEC2013	DR	RB



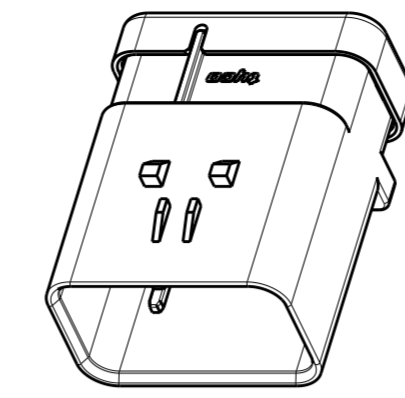
2035562-2
 (KEY B)
 SCALE 2:1



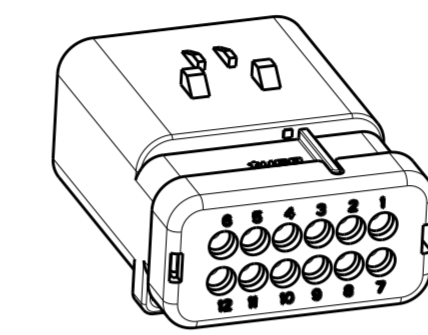
2035562-3
 (KEY C)
 SCALE 2:1



2035562-4
 (KEY D)
 SCALE 2:1

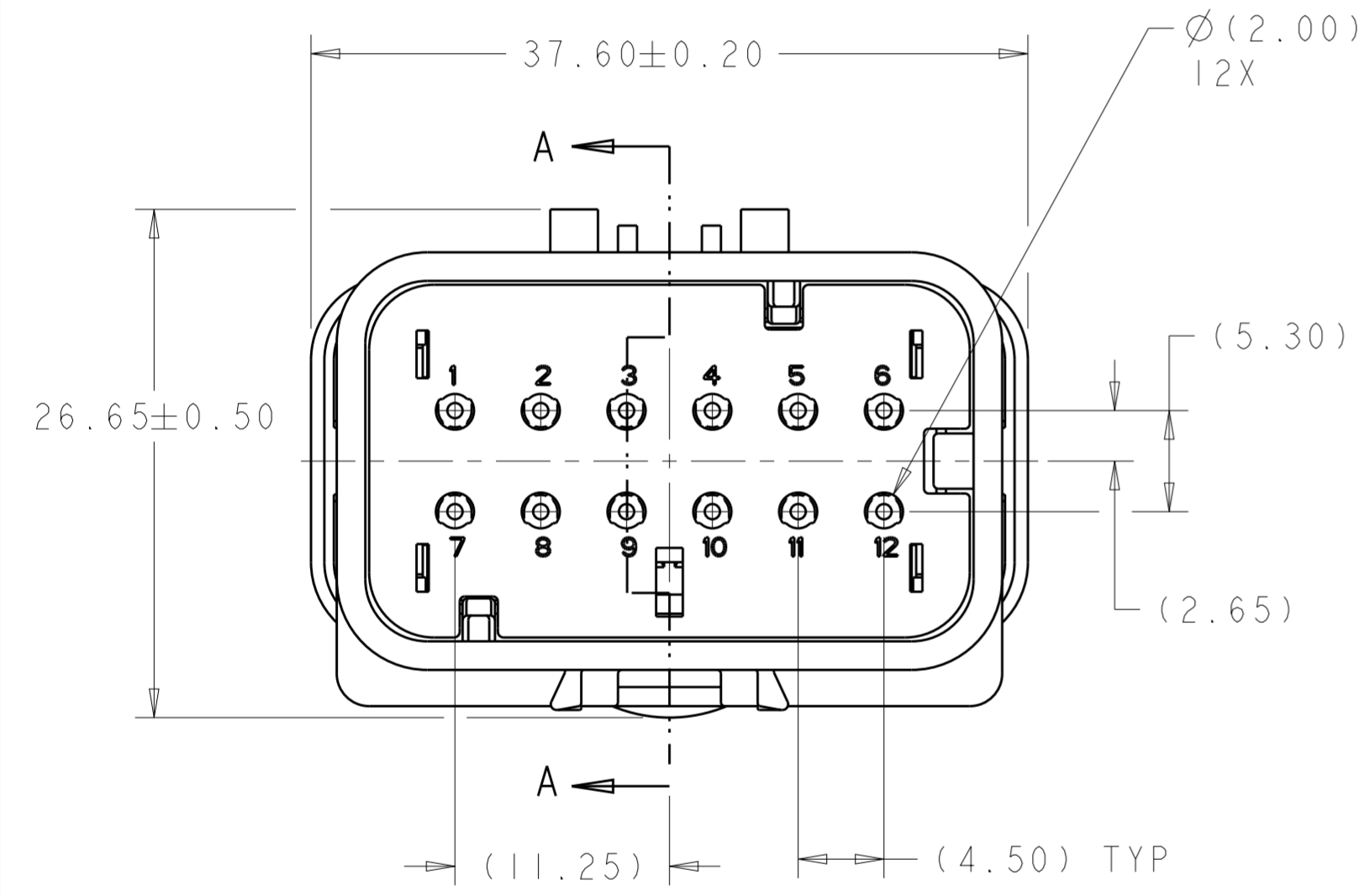


SCALE 1:1

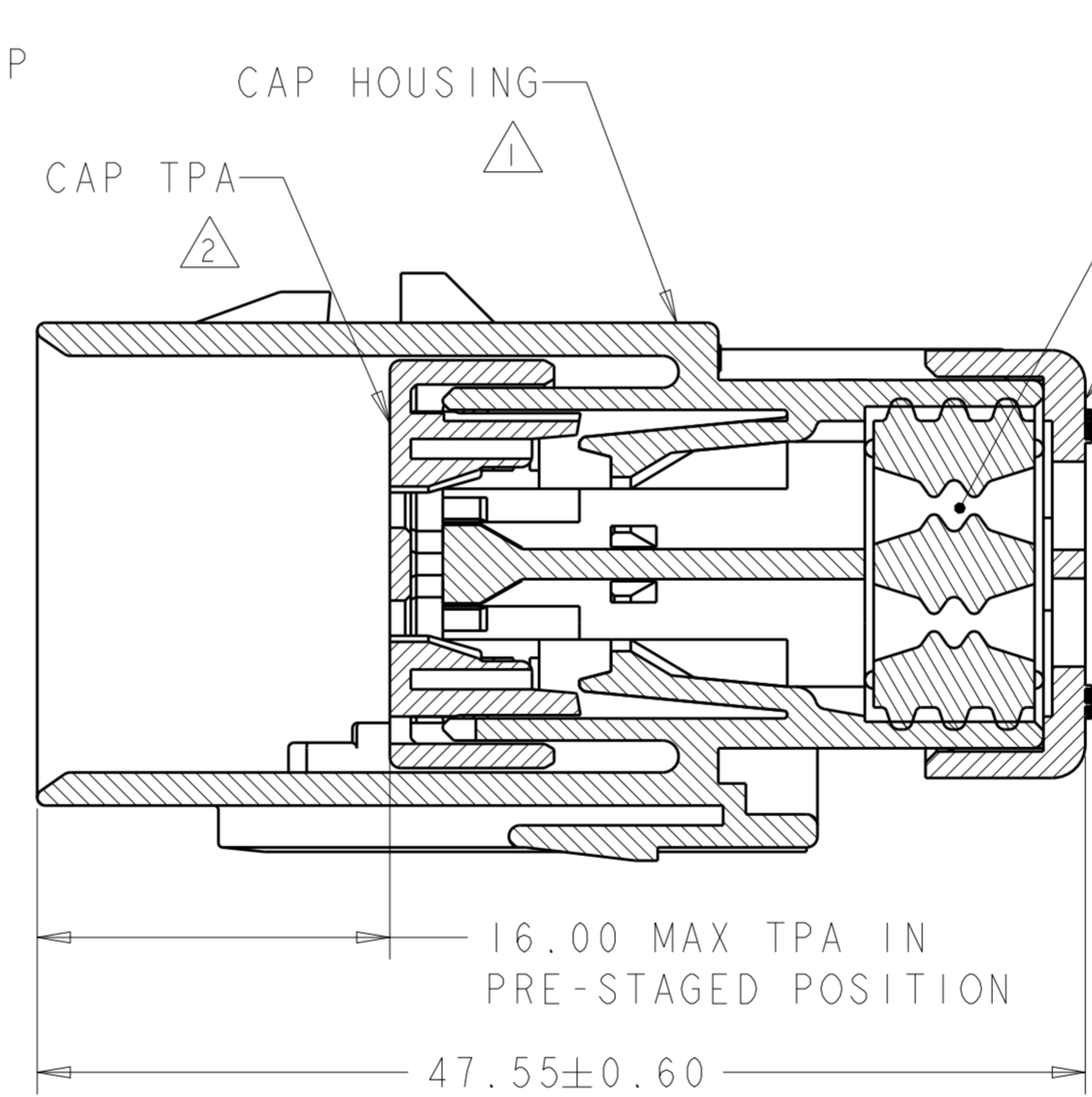


SCALE 1:1

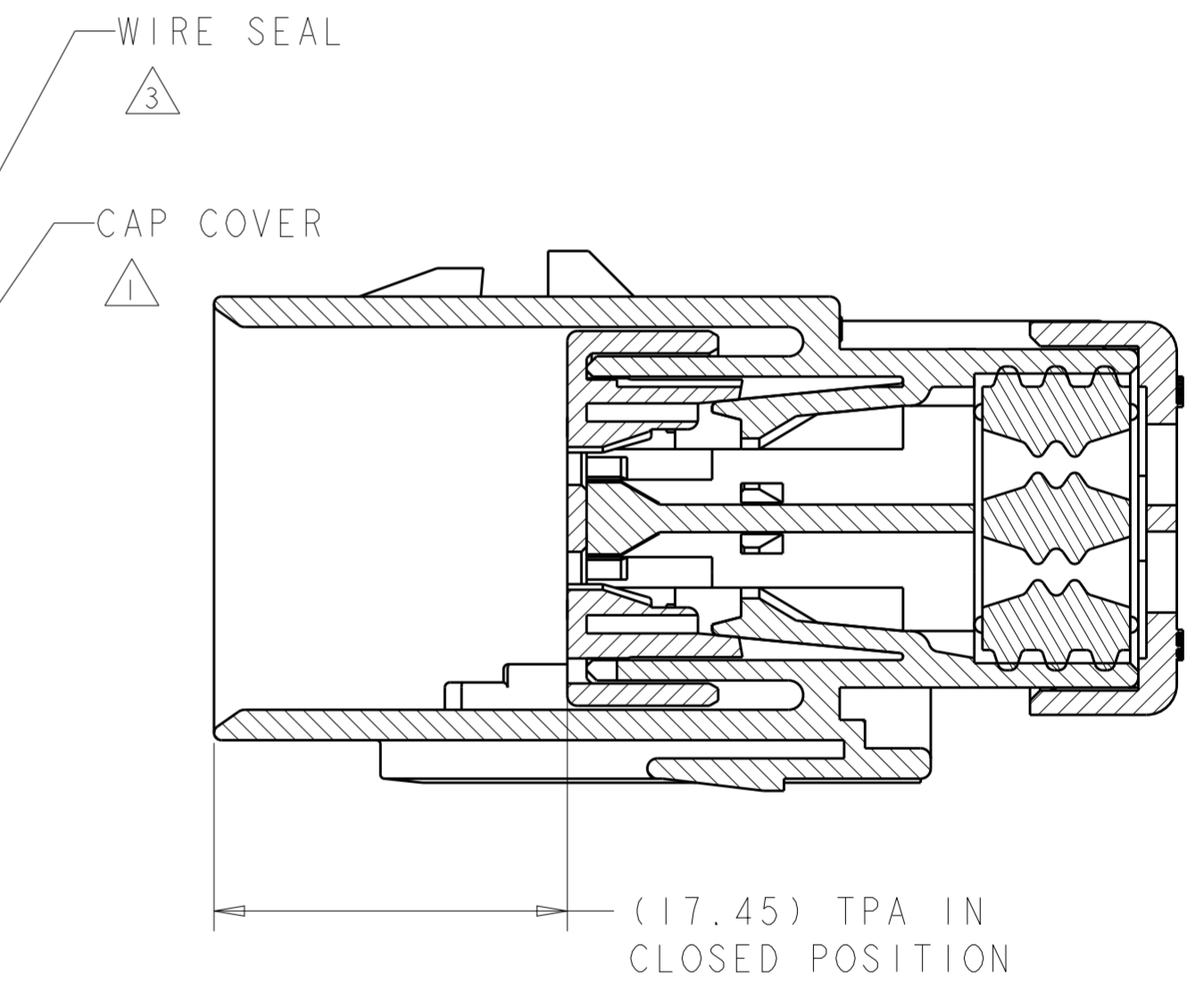
- 1 MATERIAL: 25% GLASS FILLED, NYLON 6/6, VO
 COLOR: NATURAL (BROWN)
 - 2 MATERIAL: 20% GLASS FILLED, PBT, VO
 COLOR: (SEE TABLE)
 - 3 MATERIAL: SILICONE
 COLOR: RUST
4. RECOMMENDED WIRE DIAMETER RANGE:
 1.30 TO 2.54mm



2035562-1 SHOWN
 (KEY A)



SECTION A-A



SECTION A-A

TAN	D	2035562-4
BLUE	C	2035562-3
PURPLE	B	2035562-2
ORANGE	A	2035562-1
TPA COLOR	KEY	PART NUMBER

THIS DRAWING IS A CONTROLLED DOCUMENT.		DWN DL DRUMMOND 10FEB2009	TE Connectivity CAP ASSEMBLY, 12 POSITION, 2 ROW, AMPSEAL 16, VO REDUCED DIA WIRE SEAL	
DIMENSIONS: mm		CHK R. BALTER 10FEB2009		
TOLERANCES UNLESS OTHERWISE SPECIFIED:		APVD R. BALTER 10FEB2009	NAME	
0 PLC ±-	1 PLC ±-	PRODUCT SPEC	SIZE	
2 PLC ±0.20	3 PLC ±-	108-2184	CAGE CODE	
4 PLC ±-	ANGLES ±-	114-13065	DRAWING NO	
FINISH		WEIGHT 22.5±1g	RESTRICTED TO	
MATERIAL		CUSTOMER DRAWING	SCALE 2:1 SHEET 1 OF 1 REV B	