

PART NAME: BALL KNOB    SCALE: 1:1    DATE: 11/16/92    DRN. BY: HD

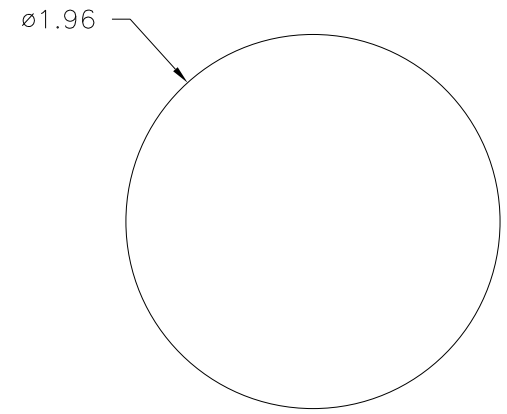
THIS DRAWING IS THE PROPERTY OF DAVIES MOLDING COMPANY, IS SUBMITTED SOLELY AS A DESIGN OR ENGINEERING PROJECT. WE ACCEPT NO RESPONSIBILITY WHATSOEVER FOR THE PRACTICAL APPLICATION OF THE PIECES MADE TO THIS DESIGN.



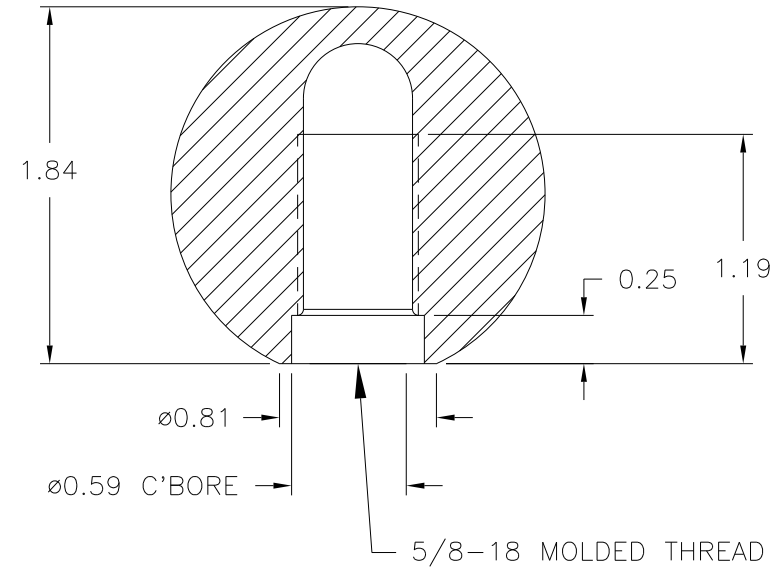
DESIGNERS & MANUFACTURERS OF KNOBS, HANDLES, CASES & CUSTOM PLASTIC COMPONENTS

P/N 0055BH  
BASE PART 0055-01

(B)  
(C)  
  
(A)



NOTE: BUFFED AND POLISHED



MATERIAL: G.P. PHENOLIC (B11)  
COLOR: BLACK

TOLERANCES: UNLESS OTHERWISE SPECIFIED	DO NOT SCALE DRAWING	C	ADDED BASE PART	JAM	2/25/14
		B	REMOVED BASEPART	JAM	4/8/13
DECIMALS: X.XXX ± .005 X.XX ± .015	MM: X.XX ± 0.15MM X.X ± 0.4MM	-	UPDATED TOOLBOX	JAM	1/14/03
		-	REDRAWN	TL	9/29/99
FRACTIONS ± 1/64	ANG. ± 1°	A	REMOVED ROTARY TOOLING	MP	2/24/97
CHANGES					

