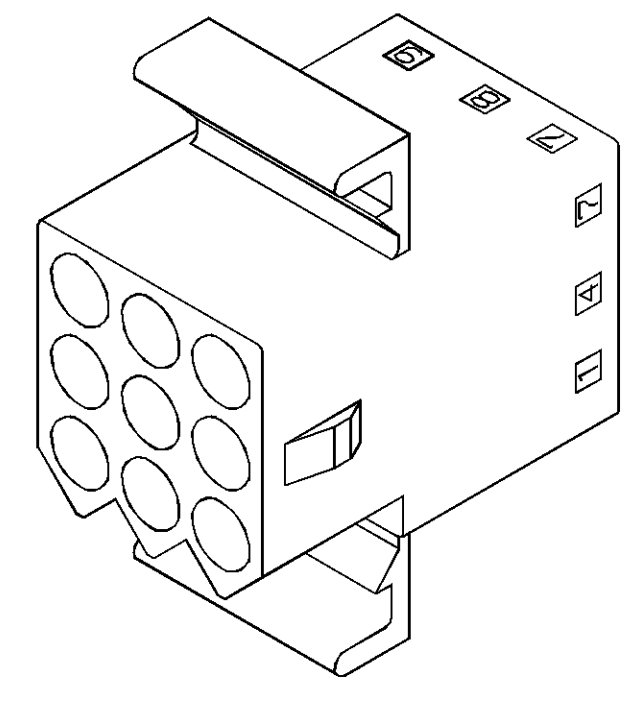
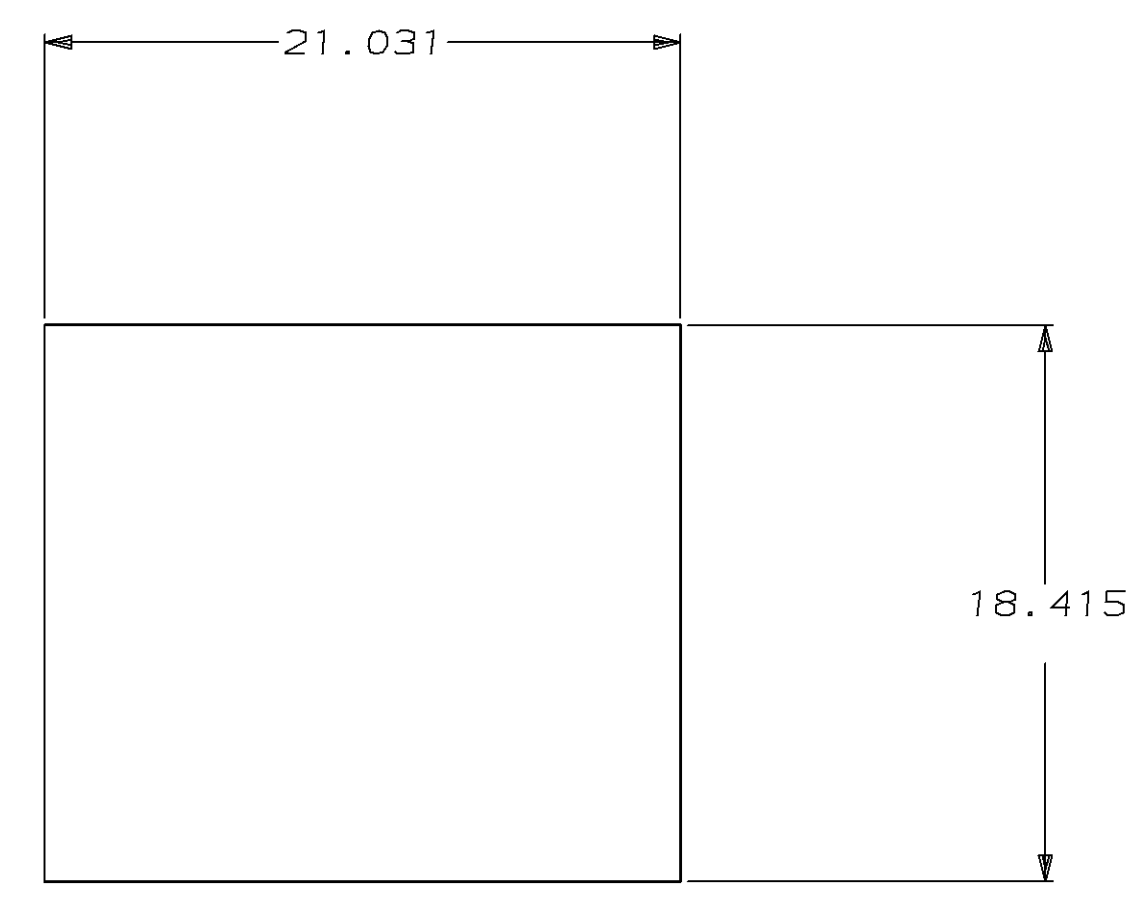


- 1 MATERIAL: NYLON UL94V-2 (NATURAL).
- 2. RECOMMENDED PANEL THICKNESS 2.29 MAX.
- 3 MARKING FOR UL LOGO AND CSA LOGO LOCATED APPROXIMATELY AS SHOWN.



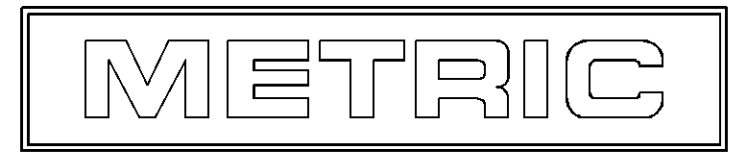
3D MODEL NTS



RECOMMENDED PANEL CUTOUT

MM	IN	MM	IN	MM	IN
2.36	.093	18.415	.7250	-	-
2.29	.090	17.018	.6700	-	-
0.38	.015	16.891	.6650	31.115	1.2250
0.25	.010	16.129	.6350	25.400	1.0000
0.13	.005	5.029	.1980	21.031	.8280
MM	IN	MM	IN	MM	IN

CONVERSION TABLE



770093-1
PART NUMBER

THIS DRAWING IS A CONTROLLED DOCUMENT.		DWN J. HUFFMAN 10-11-96	AMP Incorporated Harrisburg, PA 17105-3608
DIMENSIONS: INCHES		CHK R. SWING 10-11-96	APVD C. CASH 10-11-96
TOLERANCES UNLESS OTHERWISE SPECIFIED:		NAME RECEPTACLE, 9 CIRCUIT .093 COMMERCIAL PIN & SOCKET	
0 PLC ±.010		PRODUCT SPEC	
1 PLC ±.010		APPLICATION SPEC	
2 PLC ±.013		SIZE A1	
3 PLC ±.013		CARE CODE C=770093	
4 PLC ±.013		DRAWING NO 770093	
ANGLES ±.013		RESTRICTED TO	
FINISH		WEIGHT	
MATERIAL		CUSTOMER DRAWING	
SCALE 4:1		SHEET 1 OF 1	
REV F			