

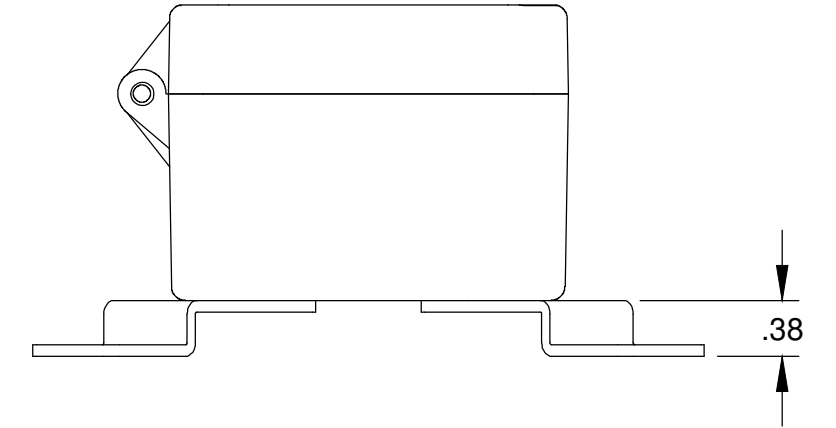
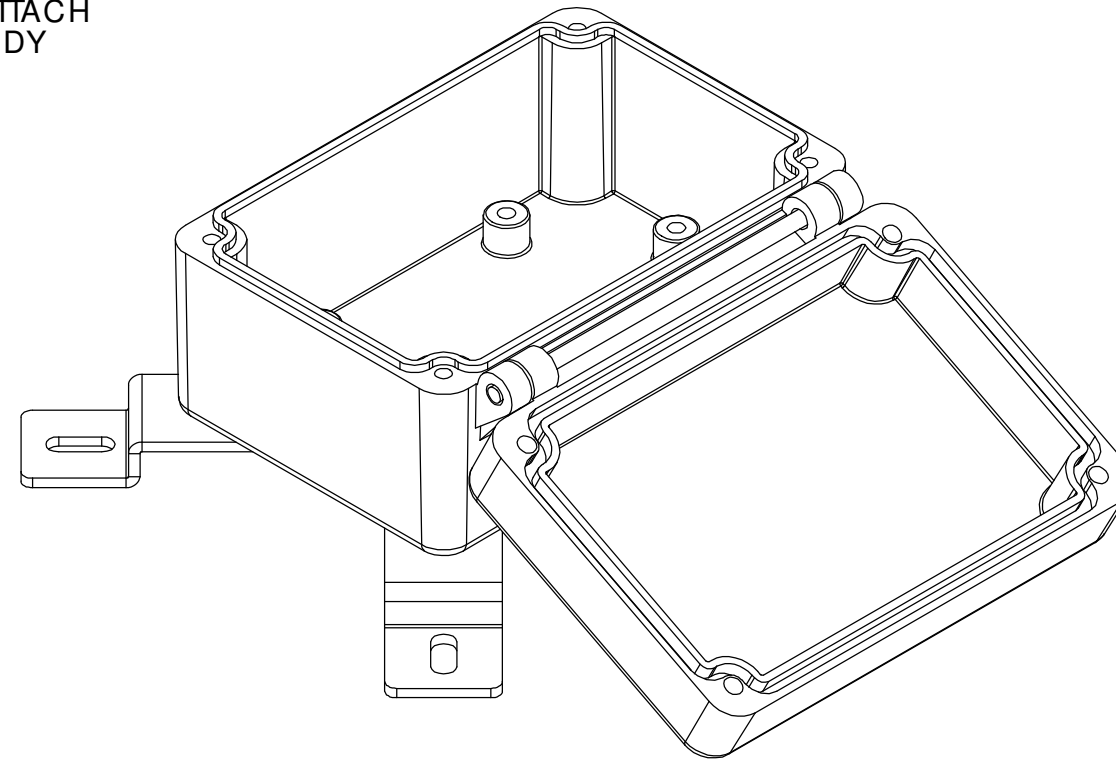
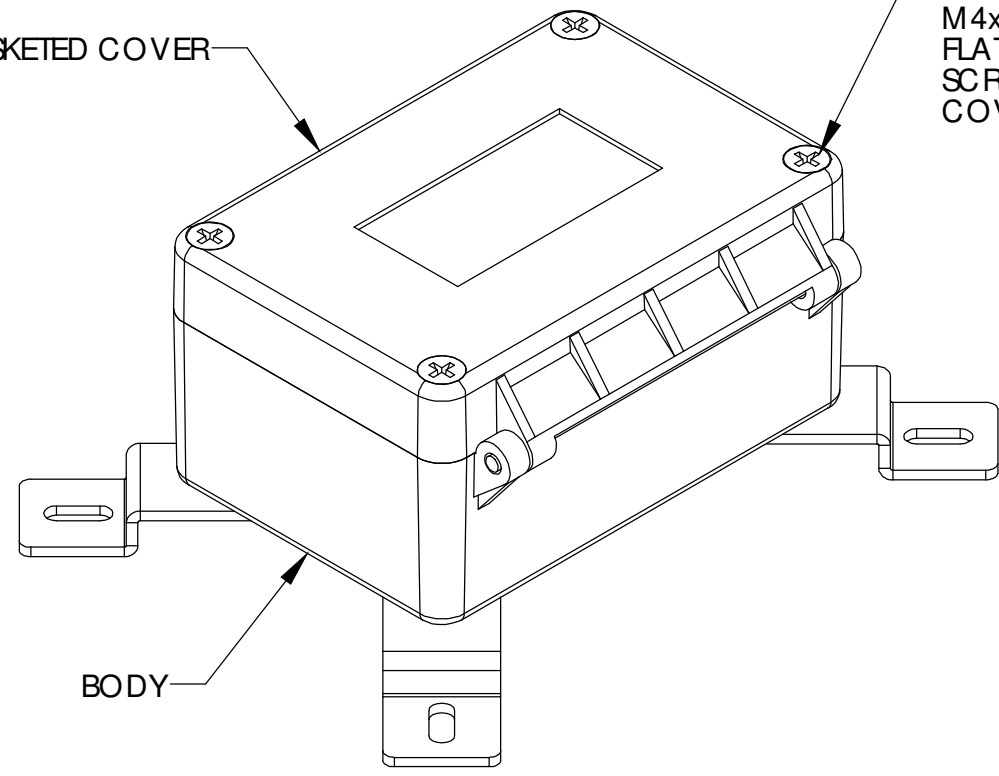
THE INFORMATION CONTAINED IN THIS DRAWING IS THE SOLE PROPERTY OF BUD INDUSTRIES INC. ANY REPRODUCTION IN PART OR WHOLE WITHOUT THE WRITTEN PERMISSION OF BUD INDUSTRIES INC. IS PROHIBITED.

DWG. NO.	AN-2900
ISSUE	REVISIONS
(A)	UPDATED DRAWING 8-8-08 DAB

GASKETED COVER

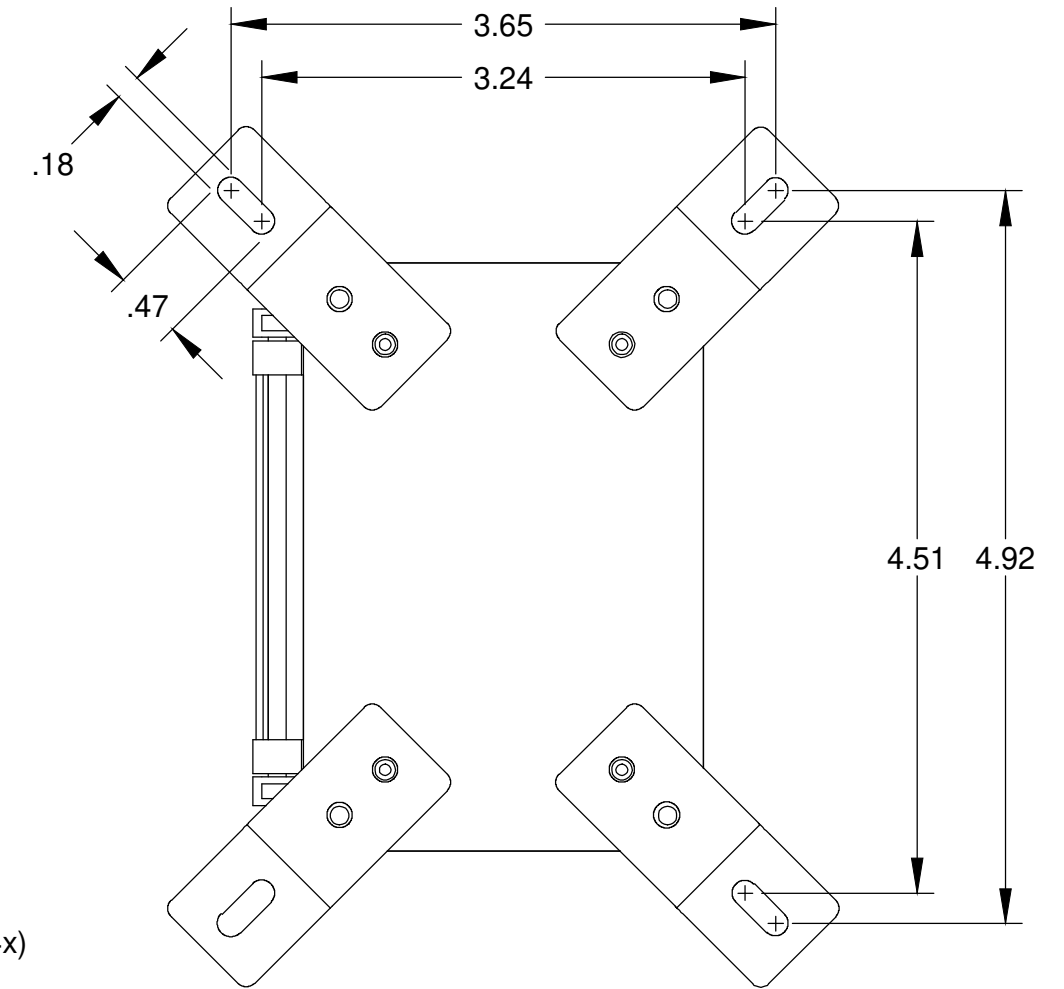
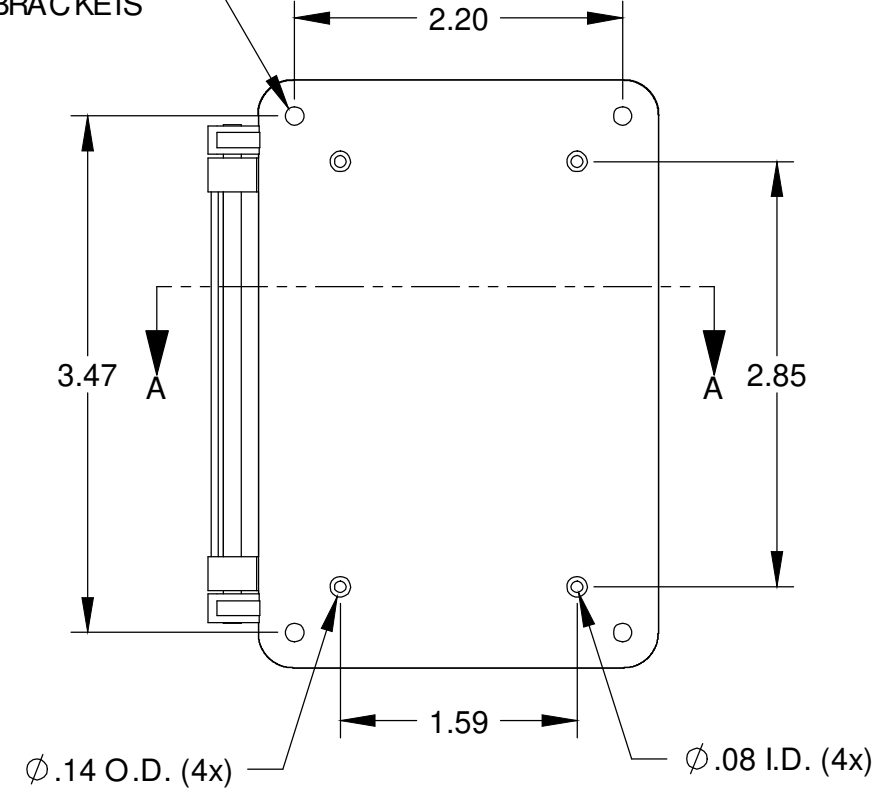
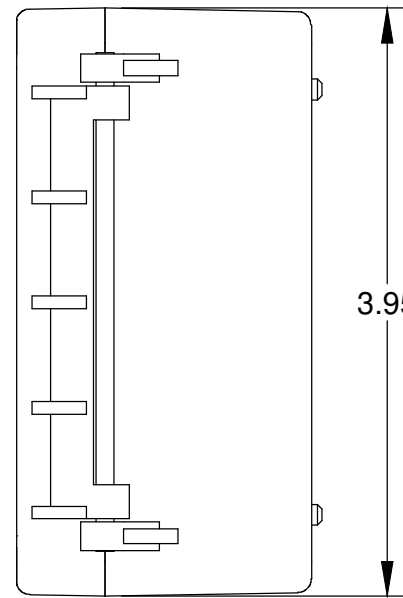
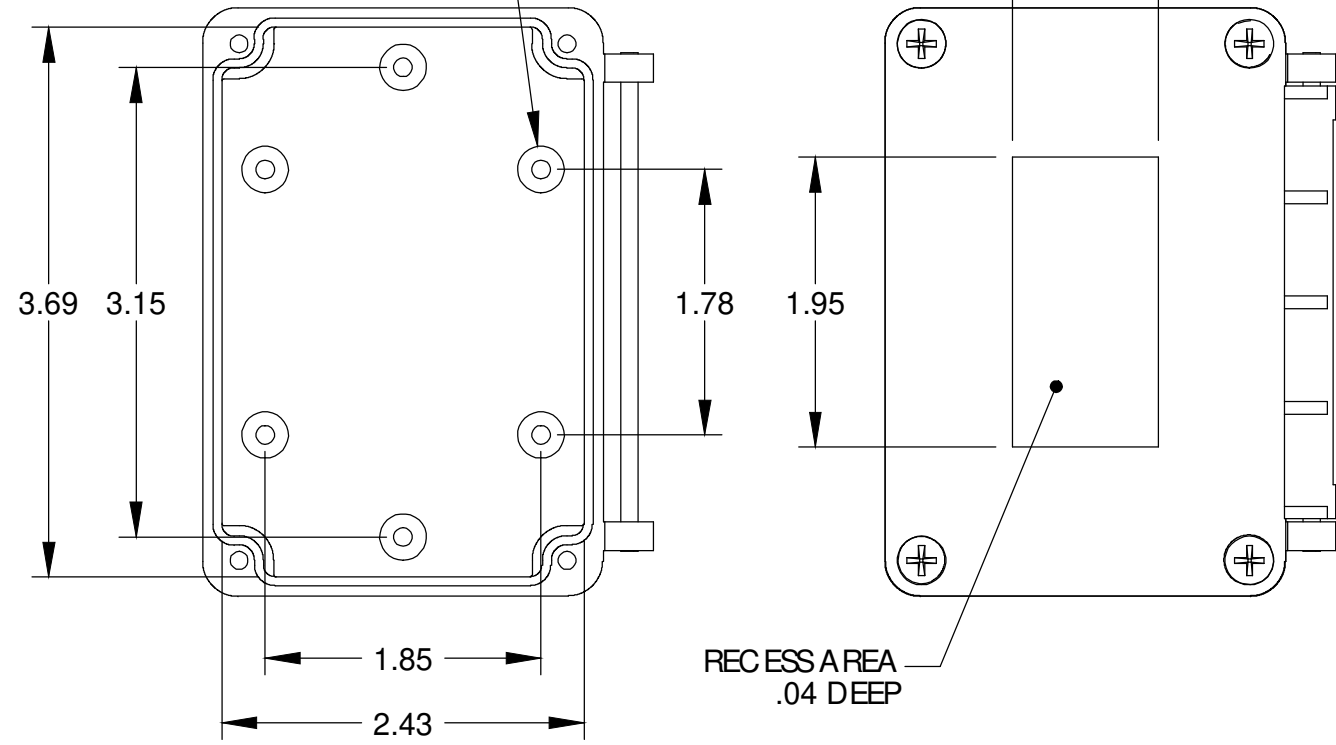
SUPPLIED WITH (4)
M4x.7 x .79" LG.
FLATHEAD MACHINE
SCREWS TO ATTACH
COVER TO BODY

BODY



Ø.31 BOSS WITH
M4x.7 TAPPED HOLE
x .25 DEEP (6) PLACES

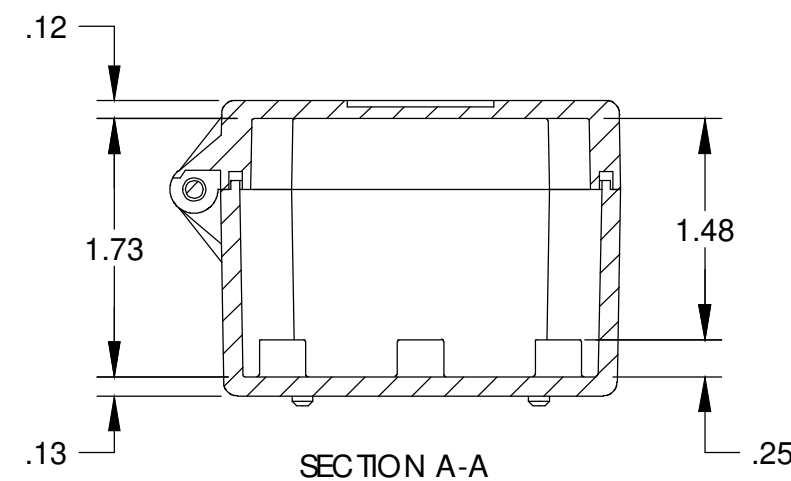
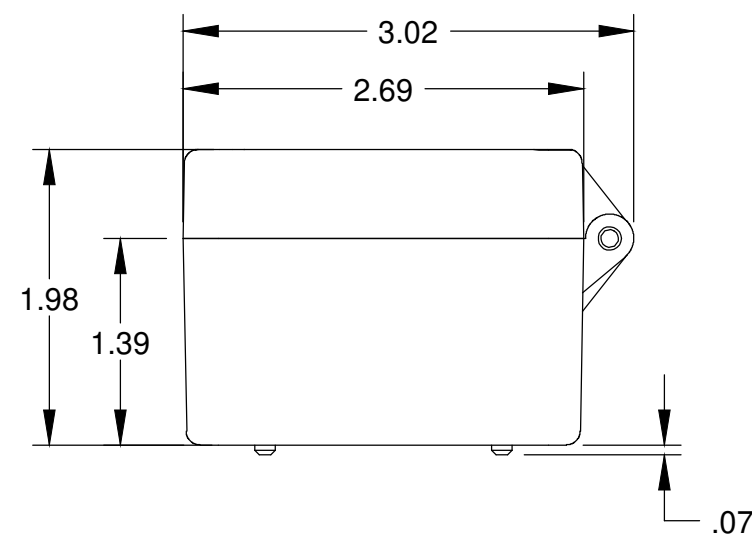
M4x.7 TAPPED HOLE
.40 DEEP IN BODY
(4) PLACES FOR WALL
MOUNT BRACKETS



VIEW LESS COVER

RECESS AREA
.04 DEEP

REFERENCE SHOWN WITH MOUNTING BRACKETS
ASSEMBLED (SHIPPED UNASSEMBLED AND
SUPPLIED WITH M4x.7 x .33" LG. PAN HD. SCREWS)



MATERIAL: ALUMINUM ADC-12
FINISH: SMOOTH BLACK POWDERCOAT

PARTS LIST

±.005 BETWEEN HOLE CENTERS	CAD GENERATED DRAWING, DO NOT MANUALLY UPDATE	BUD INDUSTRIES INC.	
±.015 FROM SHEARED EDGE		NEMA HINGED BOX	
±.032 FROM A BENT SURFACE	APPROVALS	DATE	
±.062 BETWEEN ASSEMBLED SURFACES	DRAWN	5/31/05	
UNLESS OTHERWISE SPECIFIED	CHECKED		
AS NOTED	APPROVED		
AS NOTED			

QTY.	USED ON	DO NOT SCALE DRAWING	DWG. NO. AN-2900	REV.
			SCALE	CAD FILE
				SHEET 1 OF 1