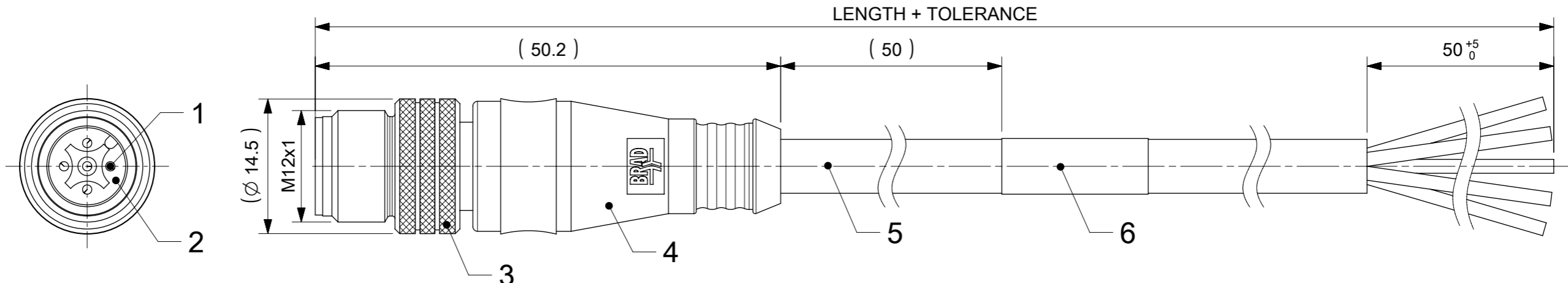
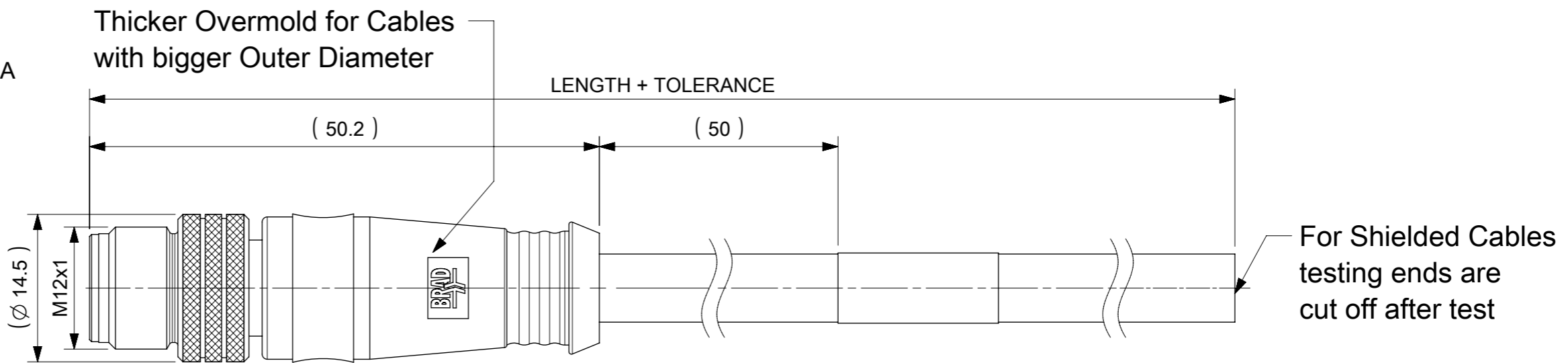
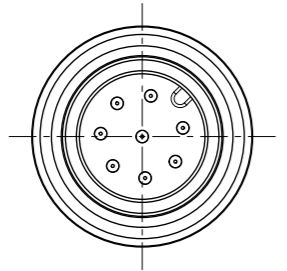


MALE PLUG M12 STRAIGHT



NOTES:
 RATED VOLTAGE: 3, 4 contacts 250V
 5 contacts 60V
 8 contacts 30V
 RATED CURRENT: 3, 4, 5 contacts 4A
 8 contacts 2A
 PROTECTION CLASS: IP 67
 TEMPERATURE: -25°C / +85°C



CONTACTS POSITION FRONT VIEW:

3 CONTACTS		4 CONTACTS		5 CONTACTS		8 CONTACTS	
PIN	WIRE	PIN	WIRE	PIN	WIRE	PIN	WIRE
1	BROWN	1	BROWN	1	BROWN	1	WHITE
2	---	2	WHITE	2	WHITE	2	BROWN
3	BLUE	3	BLUE	3	BLUE	3	GREEN
4	BLACK	4	BLACK	4	BLACK	4	YELLOW
5	---	5	---	5	GRAY OR YELLOW/GREEN	5	GREY
						6	PINK
						7	BLUE
						8	RED

CODING REQUIRED TO IEC 61076-2-101

FOR OPTIONS SEE - NUMERICAL CODE - ON SHEET 2

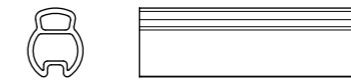
ITEM	QTY.	DESCRIPTION	MATERIAL	FINISH
6	1	LABEL YELLOW	VINYL	---
	-	PRINTING FOR CABLES lxx	---	---
5	-	CABLE	SEE SHEET 2	---
4	-	OVERMOLDING BLACK	TPU	---
3	1	COUPLING NUT MALE	BRASS	NICKEL
2	1	INSERT MALE BLACK	PUR	---
1	3 / 4 / 5 / 8	CONTACT M12 MALE	BRASS	SELECTIVE Au OVER Ni

THIS DRAWING CONTAINS INFORMATION THAT IS PROPRIETARY TO MOLEX ELECTRONIC TECHNOLOGIES, LLC AND SHOULD NOT BE USED WITHOUT WRITTEN PERMISSION

DIMENSION UNITS	SCALE	CURRENT REV DESC:		
mm	2:1			
GENERAL TOLERANCES (UNLESS SPECIFIED)		<p>molex</p> <p>CSE M12 XP AC MA STR XM SE UNSH</p> <p>PRODUCT CUSTOMER DRAWING</p>		
ANGULAR TOL	± 1.0°			
4 PLACES	±			
3 PLACES	±			
2 PLACES	± 0.05			
1 PLACE	± 0.1	EC NO: 726454	2022/11/22	
0 PLACES	± 0.2	DRWN: LIKITV	2022/11/30	
DRAFT WHERE APPLICABLE MUST REMAIN WITHIN DIMENSIONS		APPR: GGA	2022/11/30	
THIRD ANGLE PROJECTION		INITIAL REVISION:	DOCUMENT NUMBER	DOC TYPE
		DRWN: JMARSZALEK	1200650971	PSD
DRAWING		APPR: RSILLER	DOC PART	REVISION
A3-SIZE		2016/01/13	000	A8
SERIES		2016/04/08	SHEET NUMBER	
120065		SEE SHEET 3	1 OF 3	
MATERIAL NUMBER		CUSTOMER		
SEE SHEET 3		GENERAL MARKET		

ENGINEERING NO. - NUMERICAL CODE (Available parts see PART LIST table. Others on request).

OPTIONS



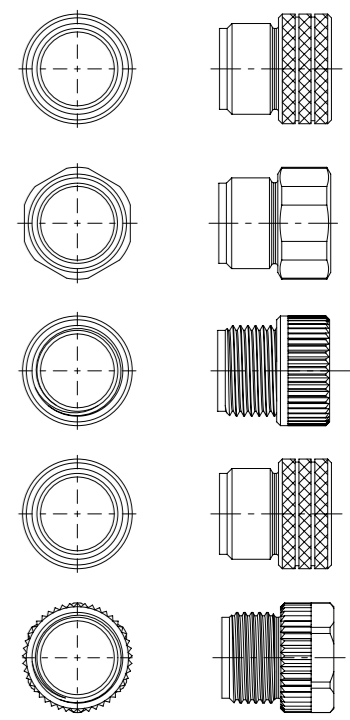
H= 2 pcs. of I/D Carrier
PVC Transparent
(Cables Ixx & P82 always with 2 pcs. of I/D Carrier even if no H in Engineering No.)

8 0 X 0 0 6 X X X X X X X X

80=M12x1 Single ended
Contacts: 3=3 Contacts, 4=4 Contacts, 5=5 Contacts, 8=8 Contacts
Heads style: 006=Plug Male Straight
Cable type: See Table
Units: M=Meter, C=Centimeter
Length Examples: 005=0.5 unit, 010=1 unit, 100=10 units

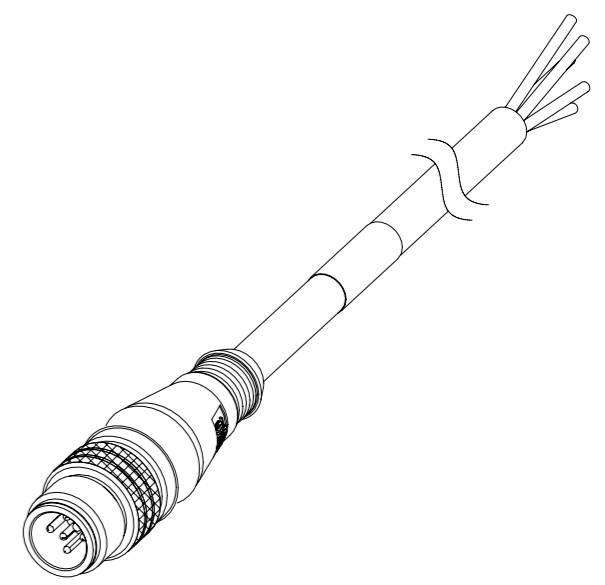
Overmold color:
Blank (Standard)=Black TPU
Blank=Yellow TPU for cables A09,S19,S20,S26
Blank=Yellow TPE-E for cables K03,K05
A=Grey / G=Black / Y=Yellow
Coupling Nut:
Blank (Standard) & 3=Knurled Brass Ni Plated
1=Hexagonal Stainless steel
5=Knurled Derlin
7=Knurled Brass Ni Plated, Teflon Coated
Blank=7 for cables I20, I26, K03, K05, P82, S26
9=Knurled / Hexagonal Brass Ni Plated SW13

COUPLING NUTS



CABLE INFORMATION (for more information see Cable Data Sheet).

CABLE TYPE	NO. OF WIRES	CROSS SECTION	CABLE JACKET	UL	CSA	STATIC: TEMP. / BENDING RADIUS	DYNAMIC: TEMP. / BENDING RADIUS	DRAG CHAIN	SHIELD
E52	3 / 4 / 8	0.34mm ²	PVC GREY	-	-	-30°C to +70°C	-5°C to +70°C	-	-
I02	3 / 4 / 8	0.25mm ²	PVC CEI GREY	-	-	-30°C to +70°C	-5°C to +70°C	-	-
I03	3 / 4 / 5	0.34mm ²	PVC CEI GREY	-	-	-30°C to +70°C	-5°C to +70°C	-	-
I20	3 / 4	0.34mm ²	PVC CEI GREY	-	-	-30°C to +70°C	-5°C to +70°C	-	YES
I26	5	0.34mm ²	PVC CEI GREY	-	-	-30°C to +70°C	-5°C to +70°C	-	-
K03	4 / 5	0.34mm ²	TPE YELLOW	UL JEC 60332-1 or PLCT	I/II 90°C/300V	-	-	-	-
K05	3 / 4 / 5	0.34mm ²	TPE YELLOW	UL ITC E195601 or PLC	I/II A/B 90°C/300V	-	-	-	-
P04	4	0.50mm ²	PUR BLACK	-	-	-40°C to +90°C, 7.5xO.D.	-15°C to +90°C, 12.5xO.D.	-	-
P12	3 / 5	0.50mm ²	PUR BLACK	-	-	-30°C to +90°C	-5°C to +90°C	-	-
P20	3 / 4 / 5	0.34mm ²	PUR BLACK LS0H	-	-	-30°C to +80°C	-	-	YES
P82	3 / 4 / 5	0.34mm ²	PUR IRR ORANGE	-	-	-50°C to +105°C, 5xO.D.	-40°C to +105°C, 7.5xO.D.	-	-
S19	8	0.25mm ²	PVC YELLOW	UL 2661/1569	C22.2 II A 105°C/300V	-30°C to +105°C, 10xO.D.	-15°C to +105°C, 15xO.D.	-	YES
S20	3 / 4 / 5	0.34mm ²	PVC YELLOW	UL 2661/1731	C22.2 II A 105°C/300V	-30°C to +105°C	-	-	YES
S26	5	0.34mm ²	PVC YELLOW	UL 2661/1731	C22.2 II A 105°C/300V	-30°C to +105°C	-	-	YES



SCALE 1:1

OVER	UP TO AND INCLUDING	TOLERANCES
0	305mm	+19mm
305mm	915mm	+45mm
915mm	1830mm	+56mm
1830mm	3660mm	+89mm
3660mm	7320mm	+165mm
7320mm	14640mm	+317mm
14640mm	30500mm	+610mm
30500mm	>	+2% OF FINISHED LENGTH

THIS DRAWING CONTAINS INFORMATION THAT IS PROPRIETARY TO MOLEX ELECTRONIC TECHNOLOGIES, LLC AND SHOULD NOT BE USED WITHOUT WRITTEN PERMISSION

DIMENSION UNITS	SCALE	CURRENT REV DESC:	molex		
mm	1:1				
GENERAL TOLERANCES (UNLESS SPECIFIED)			CSE M12 XP AC MA STR XM SE UNSH		
ANGULAR TOL	± 1.0°	EC NO: 726454	PRODUCT CUSTOMER DRAWING		
4 PLACES	±	DRWN: LIKITV	2022/11/22		
3 PLACES	±	CHK'D: GGA	2022/11/30		
2 PLACES	± 0.05	APPR: GGA	2022/11/30		
1 PLACE	± 0.1	INITIAL REVISION:			
0 PLACES	± 0.2	DRWN: JMARSZALEK	2016/01/13	DOCUMENT NUMBER	DOC TYPE
DRAFT WHERE APPLICABLE MUST REMAIN WITHIN DIMENSIONS			APPR: RSILLER	2016/04/08	DOC PART
THIRD ANGLE PROJECTION			SERIES	MATERIAL NUMBER	CUSTOMER
			A3-SIZE	120065	GENERAL MARKET
			SEE SHEET 3	1200650971	REVISION
					PSD 000 A8
					SHEET NUMBER
					2 OF 3

PART LIST

No.	Part No.	Engineering No.	Cable Length
1	1200060243	803006E52M050A	5m
2	1200060252	803006I03M020	2m
3	1200060253	803006I03M030	3m
4	1200060254	803006I03M050	5m
5	1200060565	804006I03M020	2m
6	1200060567	804006I03M050	5m
7	1200060568	804006I03M100	10m
8	1200060578	804006S20M010	1m
9	1200060579	804006S20M020	2m
10	1200060581	804006S20M100	10m
11	1200060674	805006I03M005	0.5m
12	1200060675	805006I03M020	2m
13	1200060684	805006S26M020	2m
14	1200061023	804006I20M003	0.3m
15	1200061551	803006S20M050	5m
16	1200061663	804006E52M100A	10m
17	1200061664	804006E52M200A	20m
18	1200061781	805006I26M050	5m
19	1200062540	805006P12M010	1m
20	1200062541	805006P12M015	1.5m
21	1200062606	803006S20M100	10m
22	1200062618	805006P12M0035	0.3m
23	1200062770	805006P12M030	3m
24	1200063282	805006P20M010	1m
25	1200064014	803006P82M0067	0.6m
26	1200064375	803006P82M0107	1m
27	1200064444	805006I03C150	0.15m
28	1200650971	808006S19M010	1m
29	1200651133	804006K05M100	10m
30	1200651788	804006E52M005A	0.5m
31	1200651790	804006E52M050A	5m
32	1200658170	805006S26M050	5m
33	1200658201	804006S20M050	5m
34	1200658325	804006I03M010	1m
35	1200658497	804006P20M150	15m

No.	Part No.	Engineering No.	Cable Length
36	1200658595	803006I03M040	4m
37	1200658601	804006I03M040	4m
38	1200658961	804006S20M0201	2m
39	1200658962	804006S20M1001	10m
40	1200658965	804006S20M0501	5m
41	1200658973	805006S20M050	5m
42	1200659122	804006I03M050Y	5m
43	1200659174	805006S26M050H	5m
44	1200659347	804006S20M350	35m
45	1200659364	804006S20M010H	1m
46	1200699506	808006S19M020	2m
47	1200699507	808006S19M030	3m
48	1200699508	808006S19M050	5m
49	1200699509	808006S19M100	10m
50	1200064547	804006K03M100	10m
51	1200652151	805006K03M050	5m
52	1200651129	804006K05M020	2m
53	1200651131	804006K05M050	5m
54	1200651374	805006K03M020	2m
55			
56			
57			
58			
59			
60			
61			
62			
63			
64			
65			
66			
67			
68			
69			
70			

THIS DRAWING CONTAINS INFORMATION THAT IS PROPRIETARY TO MOLEX ELECTRONIC TECHNOLOGIES, LLC AND SHOULD NOT BE USED WITHOUT WRITTEN PERMISSION										
DIMENSION UNITS	SCALE	CURRENT REV DESC:					molex			
mm	1:1									
GENERAL TOLERANCES (UNLESS SPECIFIED)							CSE M12 XP AC MA STR XM SE UNSH			
ANGULAR TOL	± 1.0 °						PRODUCT CUSTOMER DRAWING			
4 PLACES	±	EC NO: 726454								
3 PLACES	±	DRWN: LIKITV			2022/11/22					
2 PLACES	± 0.05	CHK'D: GGA			2022/11/30					
1 PLACE	± 0.1	APPR: GGA			2022/11/30					
0 PLACES	± 0.2	INITIAL REVISION:				DOCUMENT NUMBER		DOC TYPE	DOC PART	REVISION
		DRWN: JMARSZALEK			2016/01/13	1200650971		PSD	000	A8
		APPR: RSILLER			2016/04/08					
DRAFT WHERE APPLICABLE MUST REMAIN WITHIN DIMENSIONS		THIRD ANGLE PROJECTION	DRAWING	SERIES	MATERIAL NUMBER	CUSTOMER		SHEET NUMBER		
			A3-SIZE	120065	SEE PART LIST	GENERAL MARKET		3 OF 3		

DOCUMENT STATUS	P1	RELEASE DATE	2022/11/30	11:33:42
-----------------	----	--------------	------------	----------