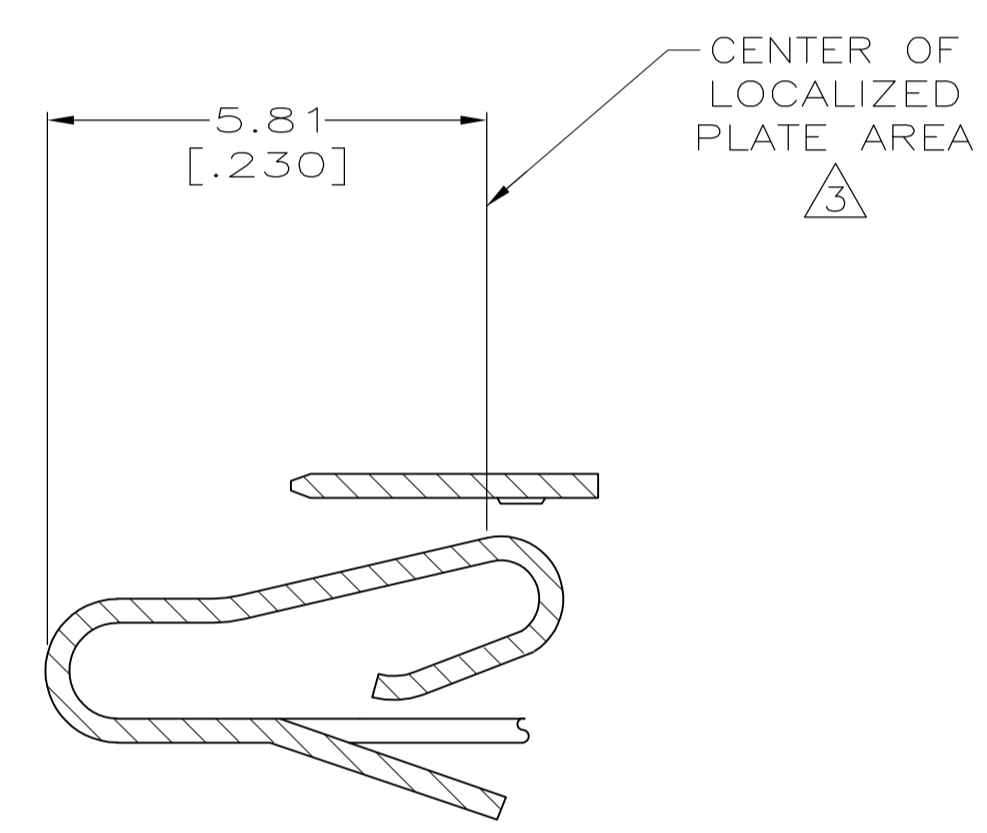
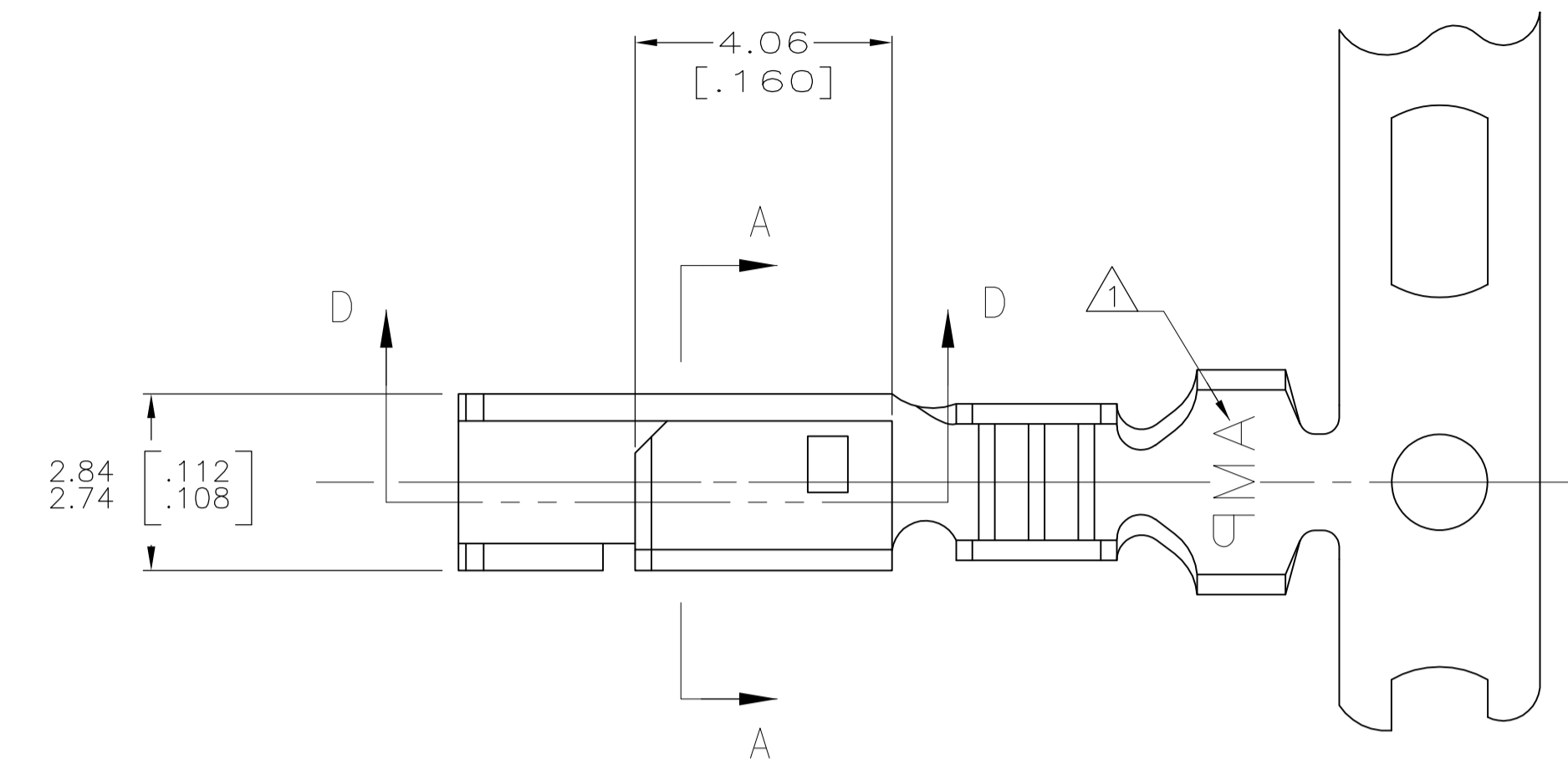
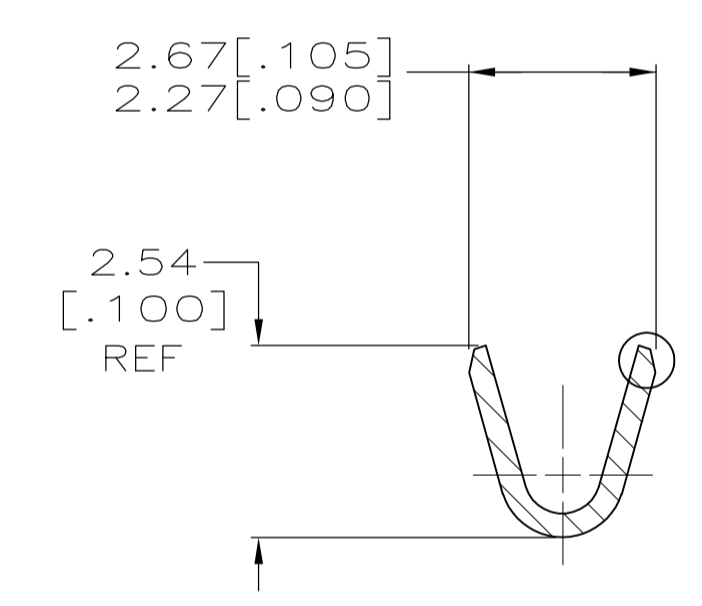
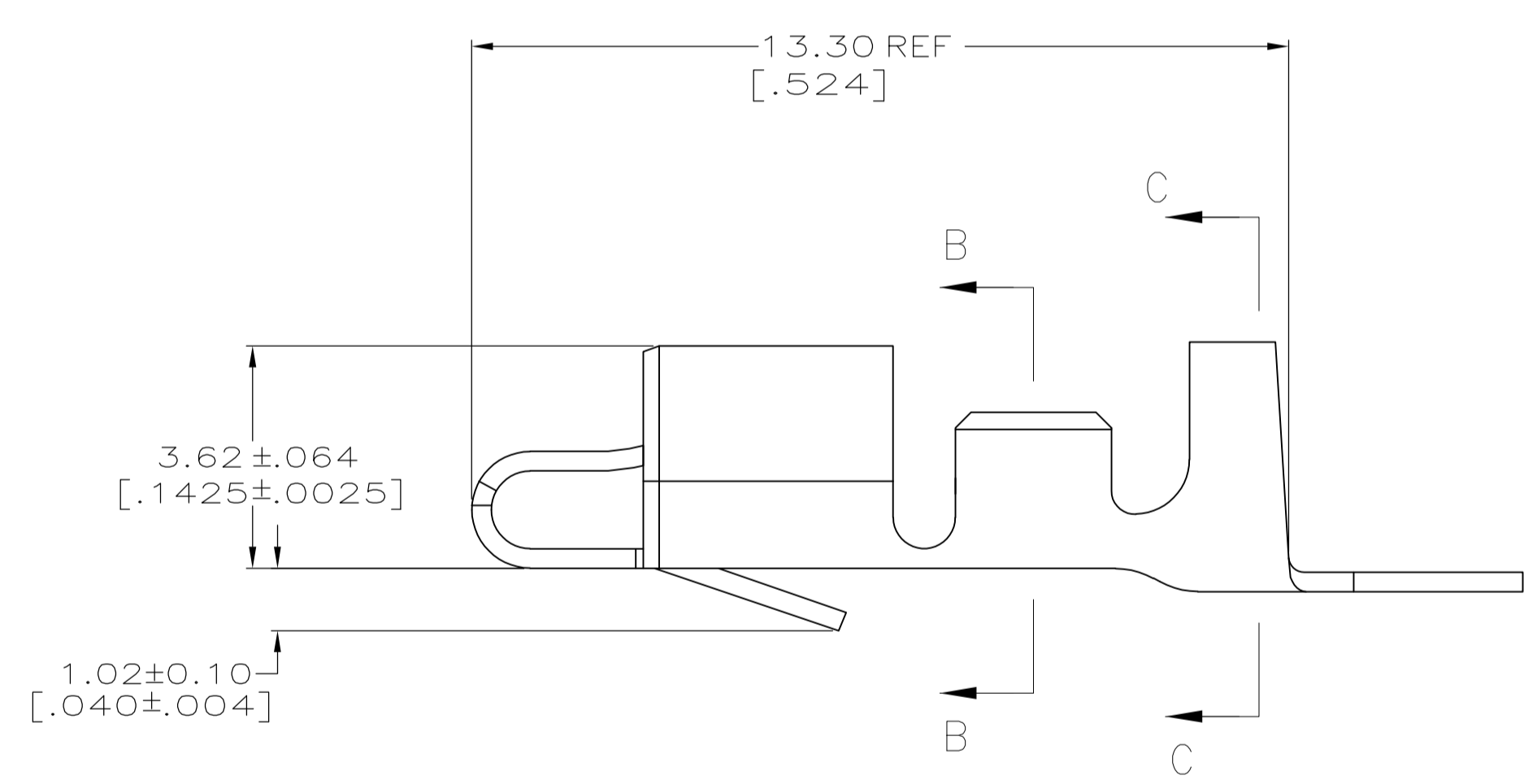


LOC	DIST	REVISIONS			
CM	0	REV	DESCRIPTION	DATE	BY
		C1	REVISED PER ECO-11-004820	11MAR11	RK HMR

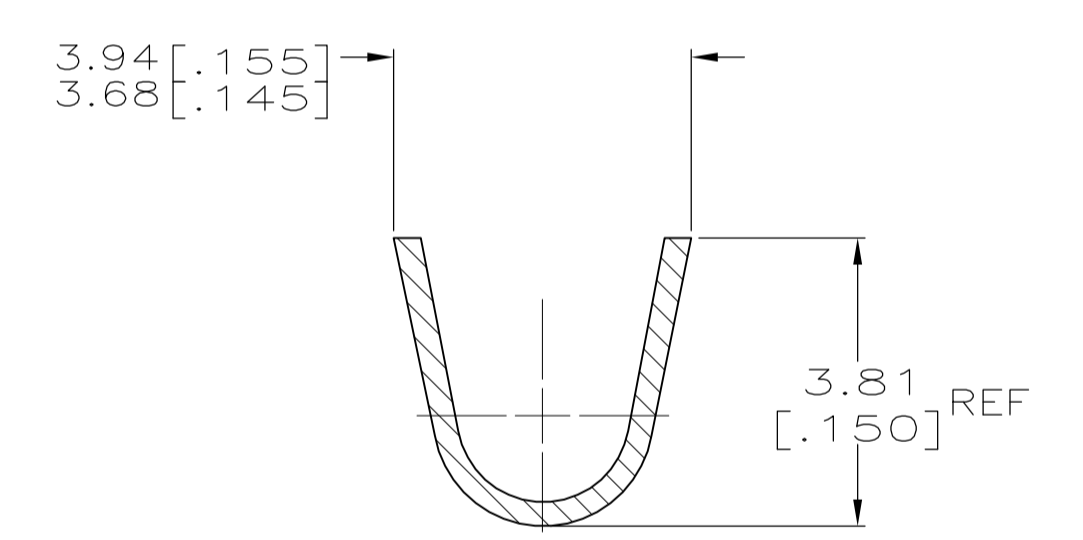
- INSULATION RANGE: 1.78-2.84 [.070-.112]
WIRE RANGE: 0.2-0.9 mm² (24-18) AWG.
- 0.00203 [.000080] MIN BRIGHT TIN-LEAD OVER
0.00127 [.000050] MIN NICKEL.
- 0.00076 [.000030] MIN THICK GOLD STRIPES IN
LOCALIZED PLATE AREA ON BEAM AND DIMPLE OVER
0.00127 [.000050] MIN THICK NICKEL OVER ENTIRE
CONTACT.
- DIMENSIONS IN BRACKETS ARE IN INCHES.
- FOR USE ONLY WITH LID STYLE HOUSING.
- 0.00203 [.000080] MIN BRIGHT TIN OVER
0.00127 [.000050] MIN NICKEL.



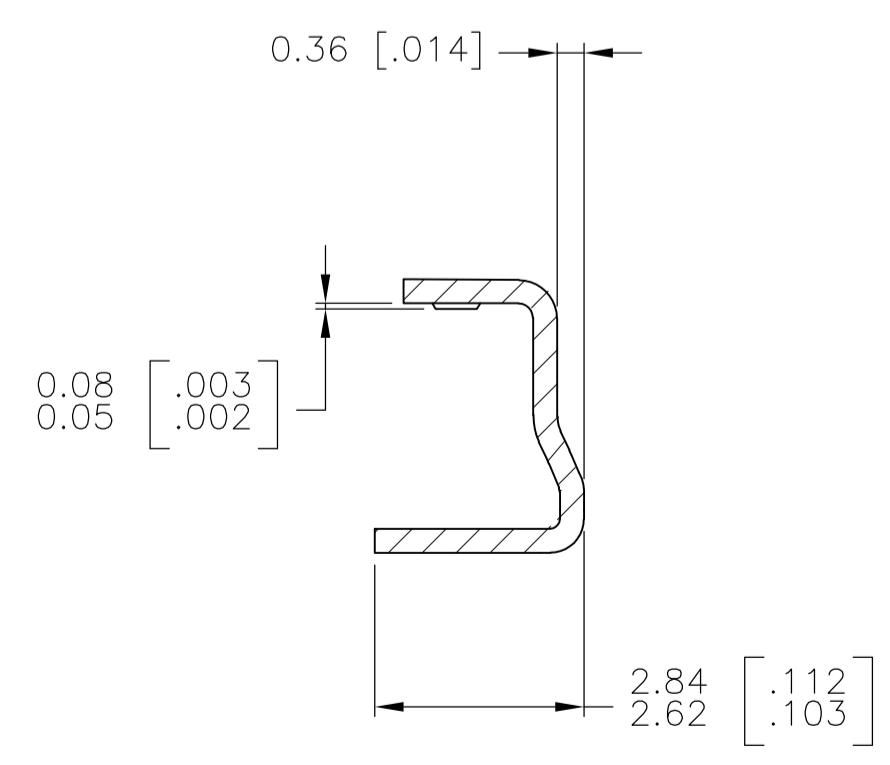
SECTION D-D



SECTION B-B

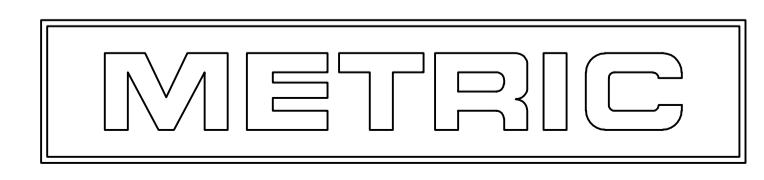


SECTION C-C



SECTION A-A
ROTATED 90° CCW

FINISH	POST-PLATE	PRE-PLATE	MATERIAL	PART NUMBER
6	—	—	PHOS BRONZE	3-647406-1
—	—	3	PHOS BRONZE	647406-2
2	—	—	PHOS BRONZE	647406-1



THIS DRAWING IS A CONTROLLED DOCUMENT.

DIMENSIONS: mm [INCHES]	TOLERANCES UNLESS OTHERWISE SPECIFIED: 0. PLC ± - 1. PLC ± - 2. PLC ± 0.13 [.005] 3. PLC ± - 4. PLC ± - ANGLES ± -	FINISH	APVD	NAME	RESTRICTED TO
			K. WHITAKER 15OCT2004	TE Connectivity	
			J. ELLIS 15OCT2004	SL-156 HOODED RECEPTACLE, LARGE DIA, INSULATION TYPE	
			J. ELLIS 15OCT2004	108-1049	
				114-1021	
MATERIAL SEE TABLE	FINISH	WEIGHT	SIZE A1	CAGE CODE 00779	DRAWING NO 647406
			CUSTOMER DRAWING	SCALE 10:1	SHEET 1 OF 1 REV C1