

# SACC-M12FRB-5CON-PG 9 - Data connector



1531057

<https://www.phoenixcontact.com/pc/products/1531057>

Please be informed that the data shown in this PDF document is generated from our online catalog. Please find the complete data in the user documentation. Our general terms of use for downloads are valid.

Data connector, 5-position, Socket angled M12, B, Screw connection, knurl material: Plastic, cable gland Pg9, external cable diameter 6 mm ... 8 mm



## Your advantages

- Safe use in the field, thanks to a high degree of protection
- Screw connection: proven connection technology for a large selection of different conductors

## Commercial data

Item number	1531057
Packing unit	1 pc
Minimum order quantity	1 pc
Note	Made to order (non-returnable)
Product key	BF2CAA
GTIN	4017918986445
Weight per piece (including packing)	17.8 g
Weight per piece (excluding packing)	17.5 g
Customs tariff number	85366990
Country of origin	DE

1531057

<https://www.phoenixcontact.com/pc/products/1531057>

## Technical data

### Notes

General	<b>NOTE:</b> Observe the permissible bending radii when laying conductors, since the degree of protection may be put in jeopardy if the bending forces are too high. Alleviate mechanical loads upstream of the connector, e.g. by using cable ties.
---------	--

### Mounting

Assembly instructions	The connector pin assignment can be rotated 90° to the cable outlet
Connection method	Screw connection

### Product properties

Product type	Circular connector (cable-side)
Number of positions	5
No. of cable outlets	1
Shielded	no
Coding	B
Cable outlet	angled
Pg screw connection	Pg9

### Insulation characteristics

Overvoltage category	II
Degree of pollution	3

### Dimensions

#### External dimensions

Outside diameter	6 mm ... 8 mm
------------------	---------------

### Material specifications

Flammability rating according to UL 94	HB
Seal material	NBR
Material of grip body	PA
Contact material	CuZn
Contact surface material	CuSnZn
Contact carrier material	PA
Material for screw connection	Plastic

### Connection data

#### Conductor connection

Connection method	Screw connection
Connection cross section	0.25 mm <sup>2</sup> ... 0.75 mm <sup>2</sup>
Connection cross section AWG	24 ... 18

# SACC-M12FRB-5CON-PG 9 - Data connector



1531057

<https://www.phoenixcontact.com/pc/products/1531057>

Stripping length of the individual wire	5 mm
Tightening torque	0.4 Nm (M12 knurl)
	0.2 Nm (Screw terminal blocks)
	0.8 Nm ... 1 Nm (Pressure screw with sleeve housing)

## Electrical properties

Contact resistance	$\leq 8 \text{ m}\Omega$
Insulation resistance	$\geq 100 \text{ M}\Omega$
Nominal voltage $U_N$	60 V DC
	48 V AC
Nominal current $I_N$	4 A

## Mechanical properties

### Mechanical data

Insertion/withdrawal cycles	$\geq 50$
-----------------------------	-----------

## Connector

### Connection 1

Head design	Socket
Head cable outlet	angled
Head thread type	M12
Coding	B

## Cable/line

Stripping length of the individual wire	5 mm
---	------

## Environmental and real-life conditions

### Ambient conditions

Degree of protection	IP67
Ambient temperature (operation)	-40 °C ... 85 °C (Plug / socket)

## Standards and regulations

Standard designation	M12 connector
Standards/specifications	IEC 61076-2-101

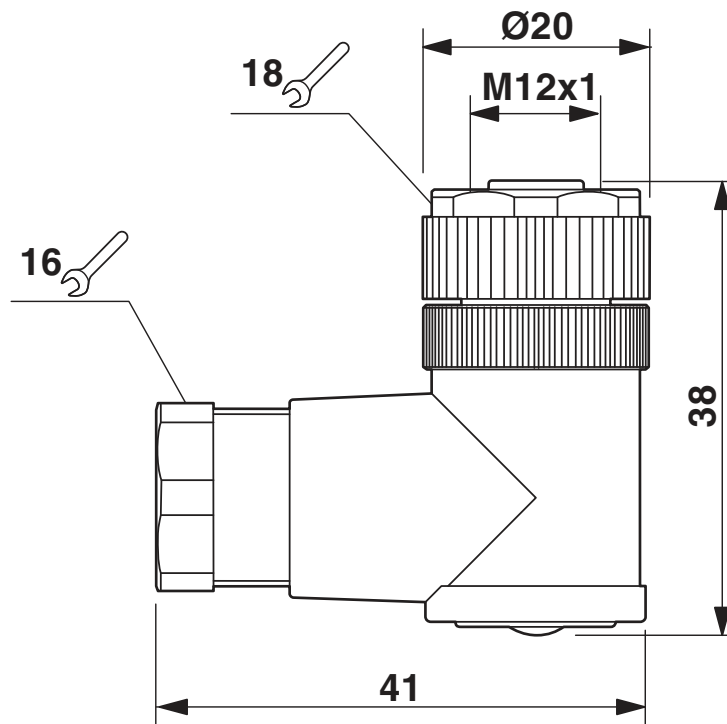
# SACC-M12FRB-5CON-PG 9 - Data connector

1531057

<https://www.phoenixcontact.com/pc/products/1531057>

## Drawings

Dimensional drawing



M12 x 1 socket, angled

# SACC-M12FRB-5CON-PG 9 - Data connector





1531057

<https://www.phoenixcontact.com/pc/products/1531057>

## Approvals

To download certificates, visit the product detail page: <https://www.phoenixcontact.com/pc/products/1531057>

 <b>cUL Recognized</b> Approval ID: FILE E 221474				
	Nominal voltage $U_N$	Nominal current $I_N$	Cross section AWG	Cross section $\text{mm}^2$
	60 V	4 A	-	-

 <b>UL Recognized</b> Approval ID: FILE E 221474				
	Nominal voltage $U_N$	Nominal current $I_N$	Cross section AWG	Cross section $\text{mm}^2$
	60 V	4 A	-	-

**cULus Recognized**

# SACC-M12FRB-5CON-PG 9 - Data connector



1531057

<https://www.phoenixcontact.com/pc/products/1531057>

## Classifications

### ECLASS

ECLASS-11.0	27440102
ECLASS-12.0	27440116
ECLASS-13.0	27440116

### ETIM

ETIM 8.0	EC002635
----------	----------

### UNSPSC

UNSPSC 21.0	39121400
-------------	----------

# SACC-M12FRB-5CON-PG 9 - Data connector



1531057

<https://www.phoenixcontact.com/pc/products/1531057>

## Environmental product compliance

REACH SVHC	Lead 7439-92-1
China RoHS	Environmentally Friendly Use Period = 50 years
	For information on hazardous substances, refer to the manufacturer's declaration available under "Downloads"

# SACC-M12FRB-5CON-PG 9 - Data connector



1531057

<https://www.phoenixcontact.com/pc/products/1531057>

## Accessories

### PROT-M12 MS-PA-CHAIN - Screw plug

1430899

<https://www.phoenixcontact.com/pc/products/1430899>

M12 sealing cap with fixing band, for sensor cables, for free M12 sockets



---

### SAC-5P-100,0-186/0,75 - Cable reel

1535590

<https://www.phoenixcontact.com/pc/products/1535590>

By the meter, Cable reel, PUR, black-gray RAL 7021, 5-wire, color single wire: brown, white, blue, black, gray, cable length: 100 m





# SACC-M12FRB-5CON-PG 9 - Data connector



1531057

<https://www.phoenixcontact.com/pc/products/1531057>

## TSD 04 SAC - Torque screwdriver

1208429

<https://www.phoenixcontact.com/pc/products/1208429>



Torque screwdriver, with preset torque of 0.4 Nm and 4 mm hexagonal drive for M12 connectors

---

## TSD-M 1,2NM - Torque screwdriver

1212224

<https://www.phoenixcontact.com/pc/products/1212224>



Torque screw driver, accuracy as per EN ISO 6789 standard, adjustable from 0.3 - 1.2 Nm

# SACC-M12FRB-5CON-PG 9 - Data connector



1531057

<https://www.phoenixcontact.com/pc/products/1531057>

## TSD-M SAC-BIT ADAPTER - Adapter insert

1212600

<https://www.phoenixcontact.com/pc/products/1212600>



Adapter bit for TSD-M...torque tools, E6.3-1/4" drive with 4 mm hexagon to accommodate SAC bits

---

## SACC BIT M12-D20 - Tool

1208445

<https://www.phoenixcontact.com/pc/products/1208445>



Nut for assembling M12 connectors for assembly with a knurl diameter of 20 mm, for 4 mm hexagonal drive

# SACC-M12FRB-5CON-PG 9 - Data connector



1531057

<https://www.phoenixcontact.com/pc/products/1531057>

## SZF 1-0,6X3,5 - Screwdriver

1204517

<https://www.phoenixcontact.com/pc/products/1204517>



Actuation tool, for ST terminal blocks, also suitable for use as a bladed screwdriver, size: 0.6 x 3.5 x 100 mm, 2-component grip, with non-slip grip

---

Phoenix Contact 2023 © - all rights reserved

<https://www.phoenixcontact.com>

PHOENIX CONTACT GmbH & Co. KG

Flachsmarktstraße 8

D-32825 Blomberg

+49 (0) 5235-3 00

[info@phoenixcontact.com](mailto:info@phoenixcontact.com)