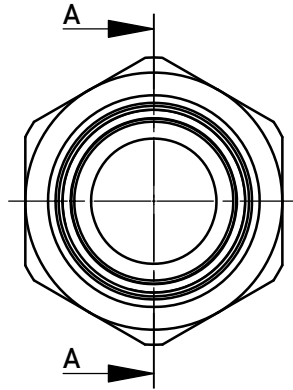
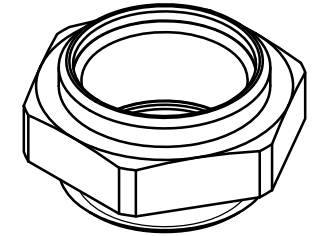
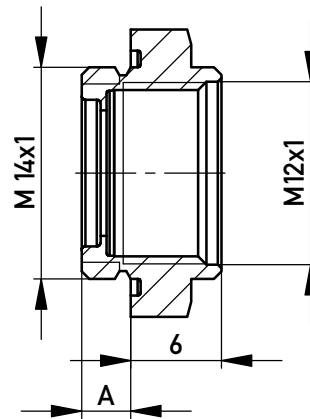


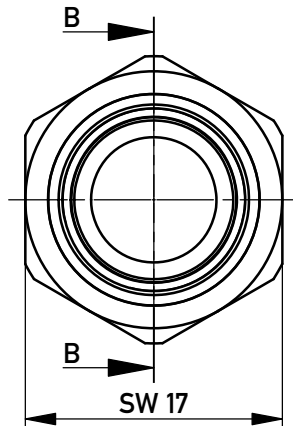
394828



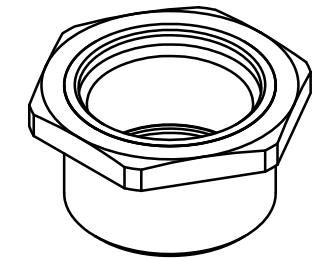
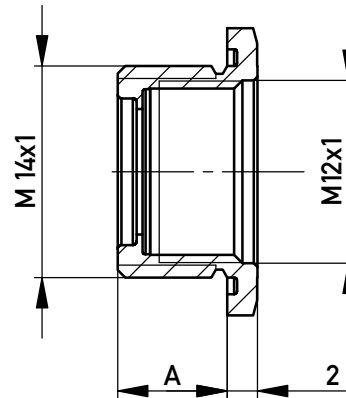
Schnitt A-A



394847



Schnitt B-B



| | | |
|----------|-------|----------------------------------|
| 394847 | 7,25 | Abstand : 13 mm / distance 13 mm |
| 394828 | 3,25 | Abstand : 9 mm / distance 9mm |
| Id.-Nr.: | Maß A | Bemerkung |

Copyright by ERNI GmbH
Proprietary notice pursuant to ISO 16016 to be observed.

| | | | |
|---|-----------------|--------------------------|--|
| Information: | | Tolerances | Scale 2:1 |
| <p>All rights reserved. Only for Information. To ensure that this is the latest version of this drawing, please contact one of the ERNI companies before using.</p> | | All Dimensions in mm | <p>Designation</p> <p>M12 Gehäuseteil für Federleiste M12 / CAT6A</p> |
| | | | |
| <p>www.ERNI.com</p> | | | <p>394848</p> |
| Index | Date 26.08.2010 | Class | MRDEZT |
| | | | <p>1 A4</p> |