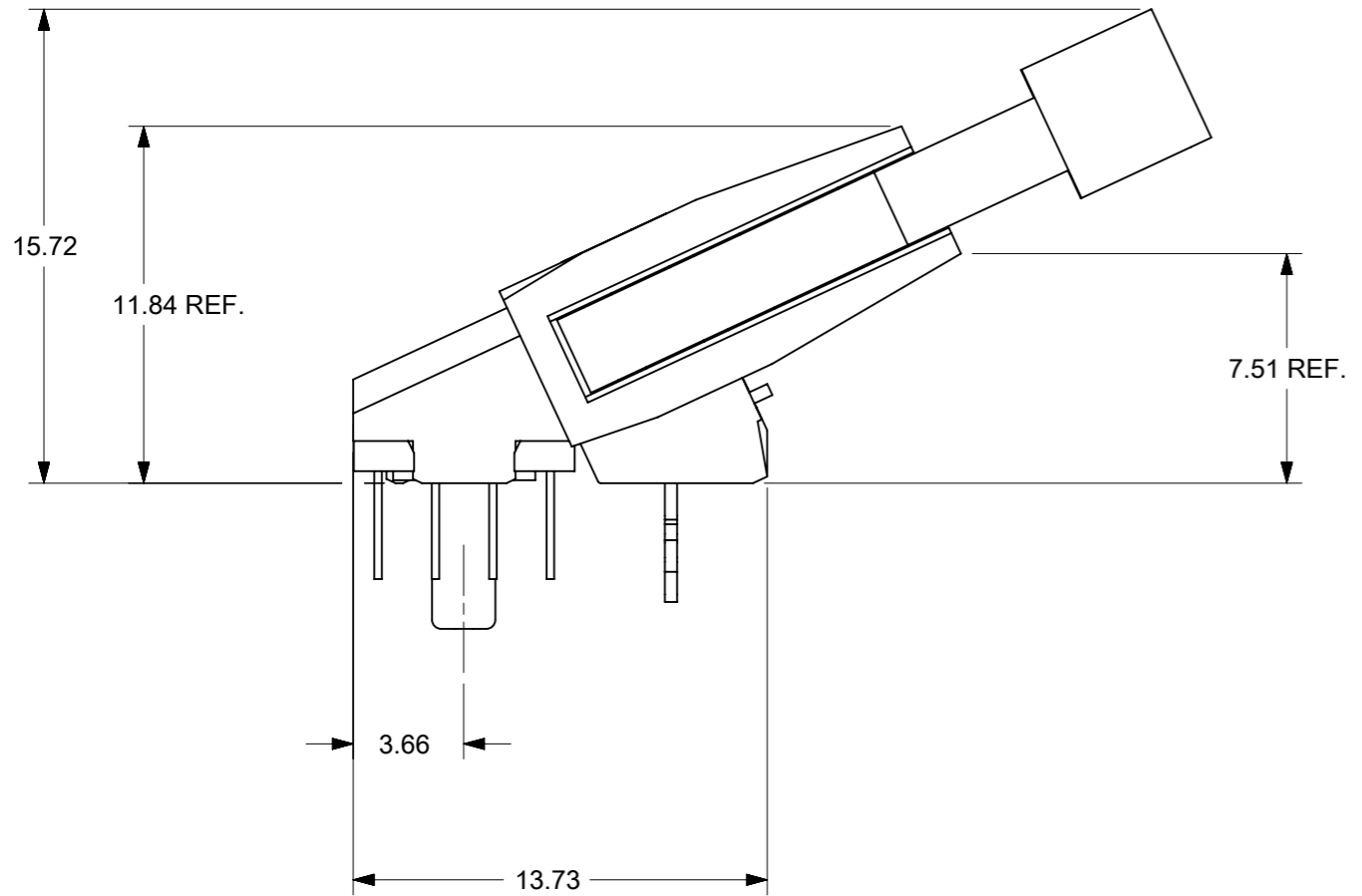
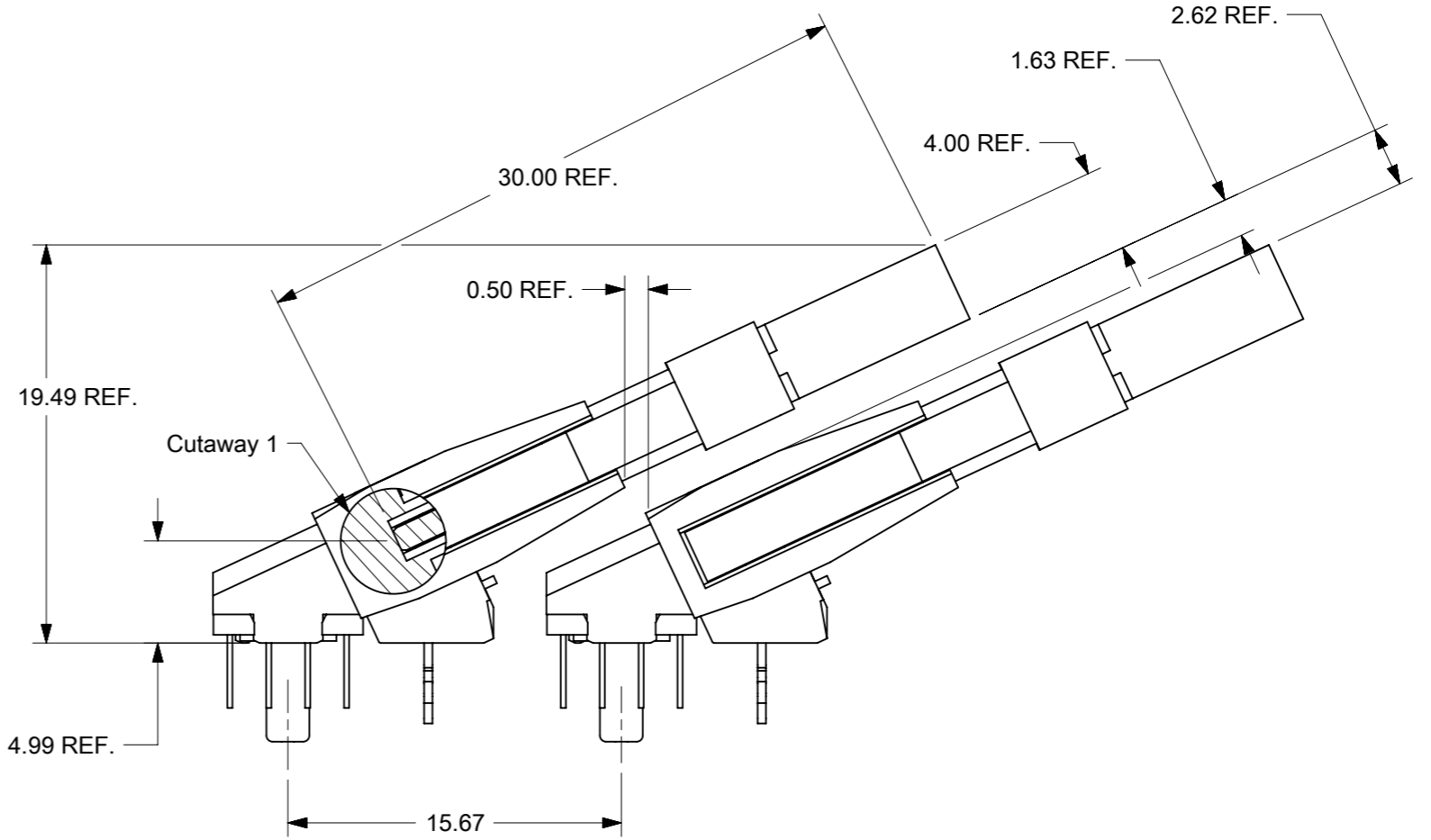


- NOTES:
- MATERIALS : HOUSING AND BASEPLATE
 - LCP, GLASS FILLED, UL 94V-0, BLACK
 LATCH
 - HIGH TEMP. NYLON, GLASS FILLED, UL 94-0, NATURAL (OFF WHITE)
 TERMINALS AND FORKLOCK - COPPER ALLOY
 - PLATING : CONTACT AREA - SEE TABLE IN SHEET 5
 SOLDERTAIL - SEE TABLE IN SHEET 5
 - REFER TO PRODUCT SPECIFICATION, PS-87803-003 FOR PERFORMANCE SPECIFICATIONS.
 - CARD SLOTS ACCEPTS 1.27±0.10 MM MODULE THICKNESS. (MEASURED OVER PC PADS)
 - RECOMMENDED MODULE CARD LAYOUT SHALL BE AS PER JEDEC MO-237.
 - PRODUCT IS PACKED IN TRAY.

- MOLEX LOGO, DATE CODE AND PART NUMBER INDICATED ON HOUSING.
- CONTACT MOLEX FOR AVAILABILITY OF PRODUCT OPTIONS.

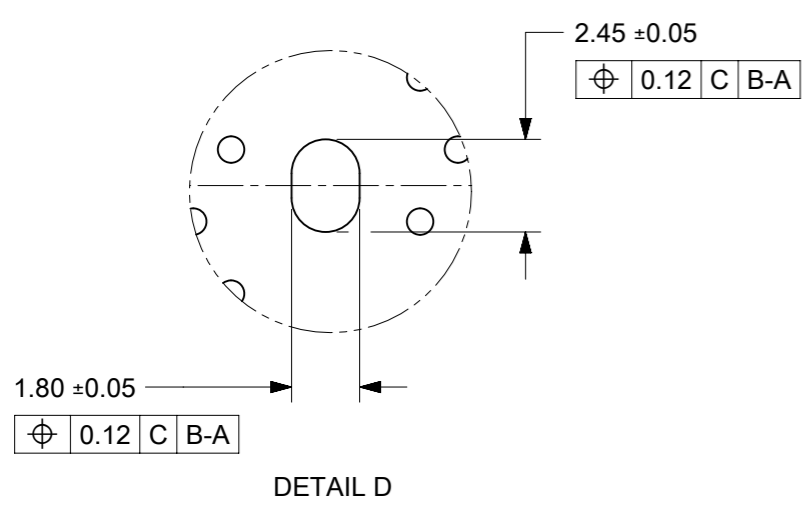
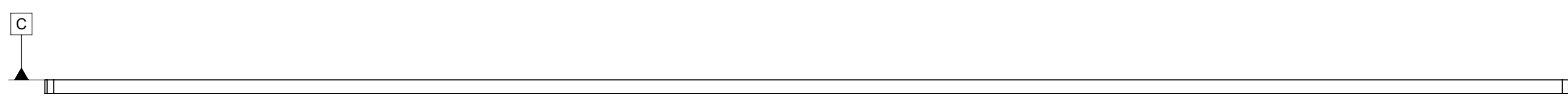
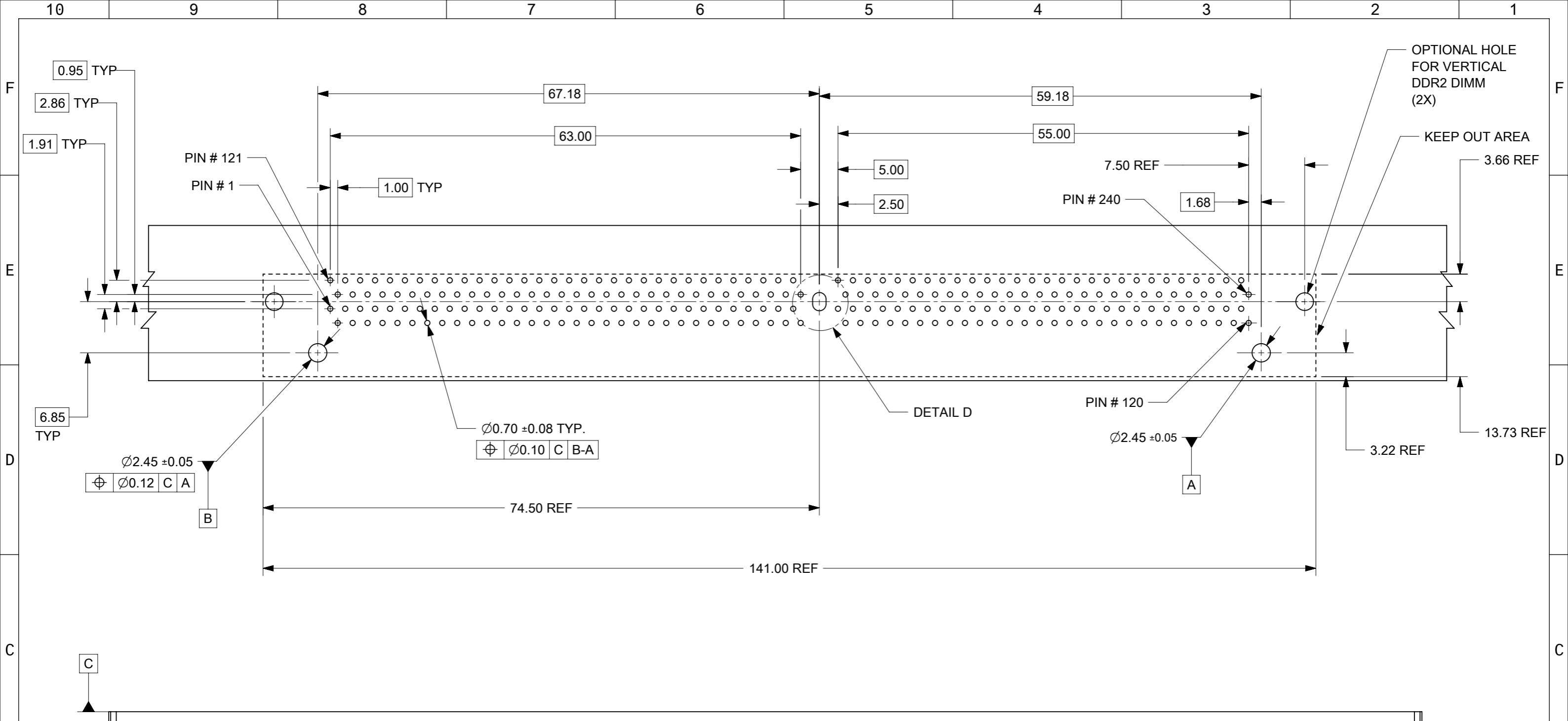
THIS DRAWING CONTAINS INFORMATION THAT IS PROPRIETARY TO MOLEX ELECTRONIC TECHNOLOGIES, LLC AND SHOULD NOT BE USED WITHOUT WRITTEN PERMISSION											
DIMENSION UNITS		SCALE		CURRENT REV DESC: OBSOLETE PART NUMBER						molex	
mm		NTS									
GENERAL TOLERANCES (UNLESS SPECIFIED)				EC NO: 655042		2021/02/01		DDR2 DIMM, 1.00MM PITCH		240 CKTS, 25 DEG.	
				DRWN: ABHISP1		2021/03/01		PRODUCT CUSTOMER DRAWING			
				CHK'D: GGA		2021/03/01		DOCUMENT NUMBER		DOC TYPE DOC PART REVISION	
				APPR: GGA		2021/03/01		SD-87803-010		PSD 001 C	
				INITIAL REVISION:				MATERIAL NUMBER		CUSTOMER	
				DRWN: MLONG		2004/03/25		SEE TABLE		GENERAL MARKET	
				APPR: GGLEE		2004/03/26		SERIES		SHEET NUMBER	
				ANGULAR TOL ± 5.0°				87803		1 OF 5	
DRAFT WHERE APPLICABLE MUST REMAIN WITHIN DIMENSIONS				THIRD ANGLE PROJECTION		DRAWING		A3-SIZE			



MINIMUM RECOMMENDED ROW TO ROW SPACING
WHEN USING A 4.00MM THICK
MODULE (TYPICAL TSOP PACKAGING)

THIS DRAWING CONTAINS INFORMATION THAT IS PROPRIETARY TO MOLEX ELECTRONIC TECHNOLOGIES, LLC AND SHOULD NOT BE USED WITHOUT WRITTEN PERMISSION											
DIMENSION UNITS		SCALE		CURRENT REV DESC: OBSOLETE PART NUMBER						molex	
mm		NTS									
GENERAL TOLERANCES (UNLESS SPECIFIED)				EC NO: 655042		2021/02/01		DDR2 DIMM, 1.00MM PITCH 240 CKTS, 25 DEG.			
				DRWN: ABHISP1		2021/03/01					
				CHK'D: GGA		2021/03/01		PRODUCT CUSTOMER DRAWING			
				APPR: GGA		2021/03/01					
				INITIAL REVISION:				DOCUMENT NUMBER		DOC TYPE DOC PART REVISION	
				DRWN: MLONG		2004/03/25		SD-87803-010		PSD 001 C	
				APPR: GGLEE		2004/03/26		MATERIAL NUMBER		CUSTOMER	
ANGULAR TOL ± 5.0°				DRAFT WHERE APPLICABLE MUST REMAIN WITHIN DIMENSIONS		THIRD ANGLE PROJECTION		DRAWING		SHEET NUMBER	
						A3-SIZE		87803		2 OF 5	

DOCUMENT STATUS	P1	RELEASE DATE	2021/03/01	05:50:15
-----------------	----	--------------	------------	----------



THIS DRAWING CONTAINS INFORMATION THAT IS PROPRIETARY TO MOLEX ELECTRONIC TECHNOLOGIES, LLC AND SHOULD NOT BE USED WITHOUT WRITTEN PERMISSION															
DIMENSION UNITS		SCALE		CURRENT REV DESC: OBSOLETE PART NUMBER											
mm		NTS													
GENERAL TOLERANCES (UNLESS SPECIFIED)															
		MM	INCH	DDR2 DIMM, 1.00MM PITCH 240 CKTS, 25 DEG.											
4 PLACES	±														
3 PLACES	±														
2 PLACES	±	0.25													
1 PLACE	±														
0 PLACES	±			EC NO: 655042 DRWN: ABHISP1 CHK'D: GGA APPR: GGA				2021/02/01 2021/03/01 2021/03/01							
ANGULAR TOL ± 5.0°				INITIAL REVISION: DRWN: MLONG APPR: GGLEE				2004/03/25 2004/03/26							
DRAFT WHERE APPLICABLE MUST REMAIN WITHIN DIMENSIONS				THIRD ANGLE PROJECTION		DRAWING		SERIES		MATERIAL NUMBER		CUSTOMER		SHEET NUMBER	
						A3-SIZE		87803		SEE TABLE		GENERAL MARKET		4 OF 5	

DOCUMENT STATUS	P1	RELEASE DATE	2021/03/01	05:50:15
-----------------	----	--------------	------------	----------

PART NO.	VOLTAGE KEY	DIM 'P'	DIM 'Q'	RECOMMENDED PCB THICKNESS	CONTACT AREA PLATING	SOLDERTAIL PLATING	LUBRICATION
87803-0022	1.8V	2.79	3.18	1.57	0.38uM/ 15u" GOLD OVER 1.27uM/ 50u" MIN NICKEL	2.54uM/ 100u" MIN. TIN (MATTE) OVER 1.27uM/ 50u" MIN NICKEL	YES
87803-0032		3.18	4.83	2.36			YES
87803-0052		4.00		3.18			NO
87803-0062			2.79	3.18			1.57
87803-0122		3.18	4.83	2.36	0.76uM/ 30u" GOLD OVER 1.27uM/ 50u" MIN NICKEL		YES
87803-0132		4.00		3.18			2.36
87803-0152				4.00	3.18		3.18
87803-0162							

THIS DRAWING CONTAINS INFORMATION THAT IS PROPRIETARY TO MOLEX ELECTRONIC TECHNOLOGIES, LLC AND SHOULD NOT BE USED WITHOUT WRITTEN PERMISSION									
DIMENSION UNITS		SCALE		CURRENT REV DESC: OBSOLETE PART NUMBER				molex	
mm		NTS							
GENERAL TOLERANCES (UNLESS SPECIFIED)				EC NO: 655042		2021/02/01		DDR2 DIMM, 1.00MM PITCH 240 CKTS, 25 DEG.	
				DRWN: ABHISP1		2021/03/01			
				CHK'D: GGA		2021/03/01			
				APPR: GGA		2021/03/01		PRODUCT CUSTOMER DRAWING	
				INITIAL REVISION:				DOCUMENT NUMBER	
				DRWN: MLONG		2004/03/25		SD-87803-010	
				APPR: GGLEE		2004/03/26		PSD 001 C	
ANGULAR TOL ± 5.0°				DRAFT WHERE APPLICABLE MUST REMAIN WITHIN DIMENSIONS		THIRD ANGLE PROJECTION		DRAWING	
						A3-SIZE		SERIES	
						87803		MATERIAL NUMBER	
						SEE TABLE		CUSTOMER	
						GENERAL MARKET		SHEET NUMBER	
						5 OF 5			