

注記 NOTES:

1. 使用材料 MATERIAL
 ハウジング: PPS,UL94V-0
 ターミナル: リン青銅 (τ=0.25)
 メッキ: ニッケル下地
 接点部 金メッキ
 テール部 錫メッキ

HOUSING : PPS,UL94V-0
 TERMINAL : PHOSPHOR BRONZE
 PLATING : CONTACT AREA : GOLD PLATING
 TAIL AREA : TIN PLATING
 OVER NICKEL

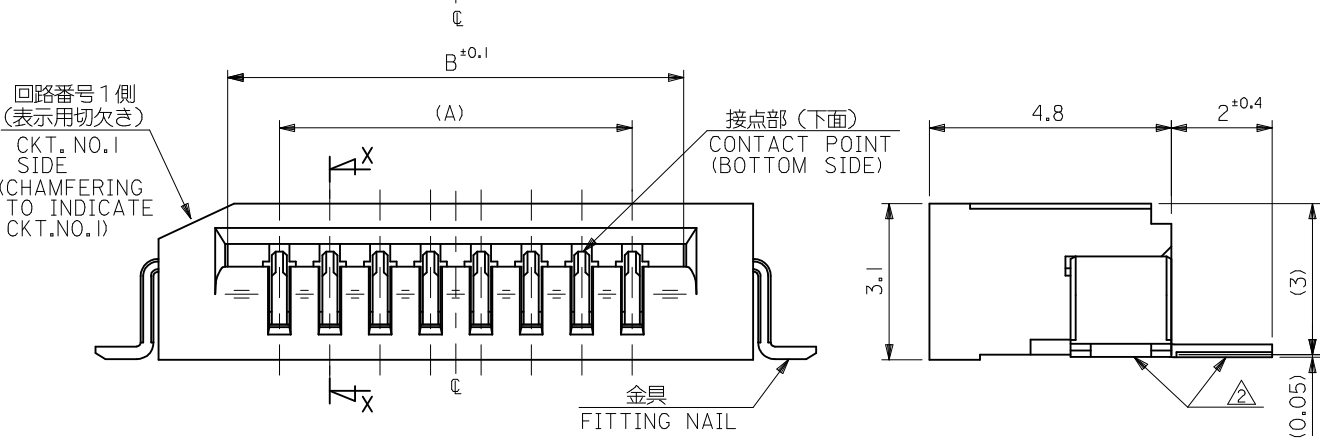
金具: リン青銅 (τ=0.25)
 メッキ: ニッケル下地 錫メッキ

FITTING NAIL : PHOSPHOR BRONZE
 PLATING : TIN OVER NICKEL

△ 基準面 E からソルダーテールとフィッティングネイルの半田付け面のズレ量は、
 上方向に0.1MAX. 下方向0.15MAX.とする。
 MISALIGNMENT OF SOLDER TAIL AND FITTING NAIL FROM E
 : UPPER DIRECTION 0.1 MAX. , LOWER DIRECTION 0.15 MAX.

△ 偶数極に適用。
 APPLY FOR EVEN CKT.

4. 本製品は 52852 シリーズの金メッキ品である。
 THIS PRODUCT IS Au PLATING OF 52852 SERIES.



32.8	30.05	28	52852-2971	29
29.8	27.05	25	52852-2671	26
27.8	25.05	23	52852-2471	24
19.8	17.05	15	52852-1671	16
18.8	16.05	14	52852-1571	15
17.8	15.05	13	52852-1471	14
16.8	14.05	12	52852-1371	13
15.8	13.05	11	52852-1271	12
7.8	5.05	3	52852-0471	4
C	B	A	MATERIAL NO.	極数 CIRCUIT

MODEL NO. 52852-**71

DESIGN UNITS METRIC

THIRD ANGLE PROJECTION

GENERAL TOLERANCES (UNLESS SPECIFIED)

10 UNDER	±0.2
10 OVER 30 UNDER	±0.25
30 OVER	±0.3
ANGULAR	±3 °

DRAFT WHERE APPLICABLE MUST REMAIN WITHIN DIMENSIONS

DIMENSION STYLE MM ONLY

SCALE ---

TITLE 1.0 FFC CONN NON ZIF SMT RA (BOTTOM CONTACT) -LEAD FREE-

molex

DOCUMENT NO. SD-52852-012

SHEET NO. 1 OF 2

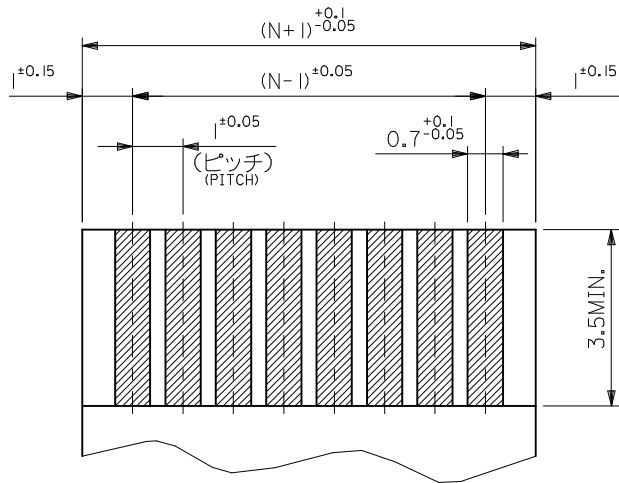
MATERIAL NO. SEE CHART

SIZE A3

THIS DRAWING CONTAINS INFORMATION THAT IS PROPRIETARY TO MOLEX INCORPORATED AND SHOULD NOT BE USED WITHOUT WRITTEN PERMISSION

REVISED EC NO: J2014-0324
 DRWN:MTAKAHASHI 04/2013/08/20
 CHKD:KAKAHASHI 2013/08/20
 APPR:YNOGAWA 2013/08/27

DESCRIPTION



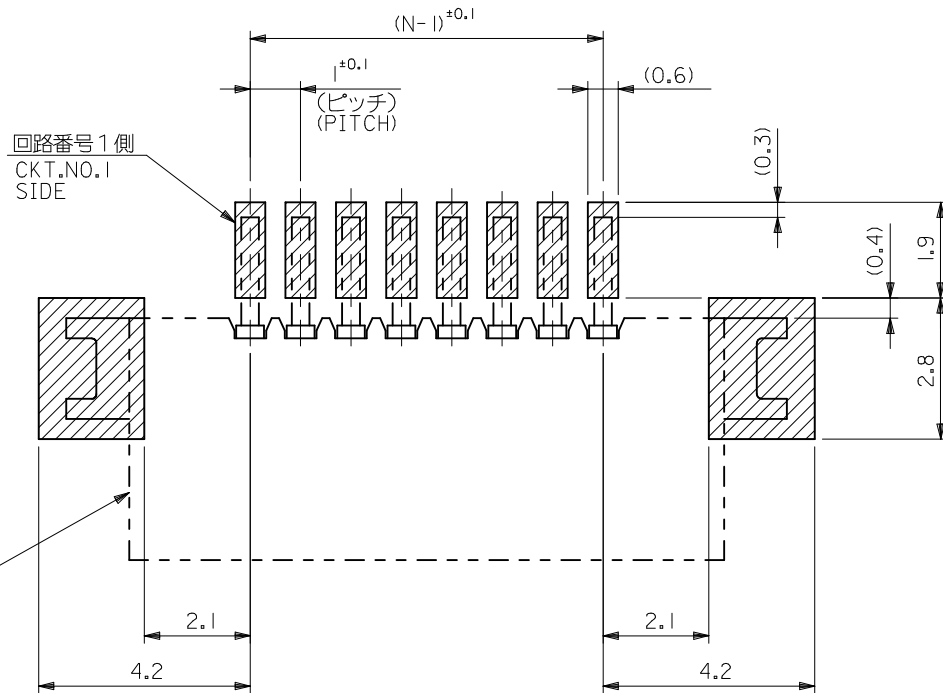
(仕上がり厚さ $0.3^{\pm 0.03}$)
THICKNESS
適合 FPC/FFC 推奨寸法
APPLICABLE FPC/FFC
RECOMMENDED DIMENSION.

FPC/FFCについて：
打抜き方向は導体側から補強板側を推奨いたします。

ABOUT FPC/FFC
RECOMMENDED PUNCHER DIRECTION : FROM CONDUCTOR SIDE TO STIFFENER FILM SIDE.

FPCについて：
補強フィルム材質はポリイミドを推奨します。
接着剤は熱硬化接着剤を推奨します。

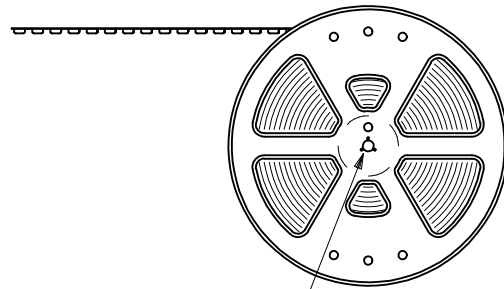
ABOUT FPC
RECOMMENDED MATERIAL :
STIFFENER FILM : POLYIMIDE
BONDING AGENT : THERMOSETTING BONDING AGENT



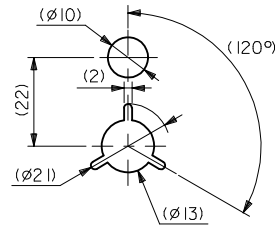
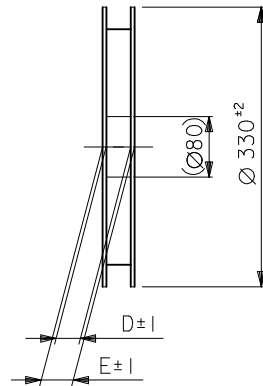
参考基板レイアウト (マウント面)
RECOMMENDED P.C.BOARD
PATTERN DIMENSION. (REF.)
(MOUNTING AREA)

REVISED EC NO: J2014-0324 DRWN:MTAKAHASHI 04/2013/08/20 CHKD:KAKAHASHI 2013/08/20 APPR:YNOGAWA 2013/08/27	DESCRIPTION	GENERAL TOLERANCES (UNLESS SPECIFIED)		DIMENSION STYLE MM ONLY		SCALE ---	DESIGN UNITS METRIC	MODEL NO. 52852-**71	
		10 UNDER	± 0.2	DRAWN BY M. NABEI	DATE '05/08/23	TITLE 1.0 FFC CONN NON ZIF SMT RA (BOTTOM CONTACT) -LEAD FREE-			
		10 OVER 30 UNDER	± 0.25	CHECKED BY K. TOYODA	DATE '05/08/23				
		30 OVER	± 0.3	APPROVED BY N. UKITA	DATE '05/08/23				
REV	REV	ANGULAR	$\pm 3^\circ$	MATERIAL NO. SEE SHEET 1 OF 2		THIS DRAWING CONTAINS INFORMATION THAT IS PROPRIETARY TO MOLEX INCORPORATED AND SHOULD NOT BE USED WITHOUT WRITTEN PERMISSION			
		DRAFT WHERE APPLICABLE MUST REMAIN WITHIN DIMENSIONS		SIZE A3					

引き出し方向
PULL OUT DIRECTION



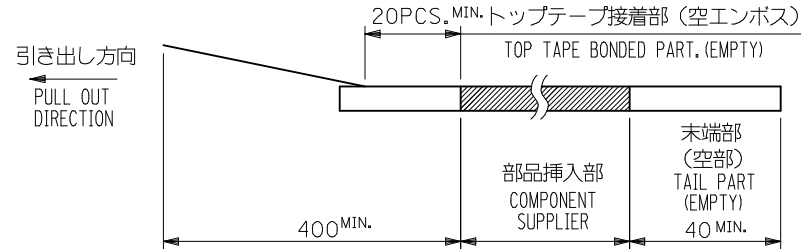
"F"



DETAIL "F"

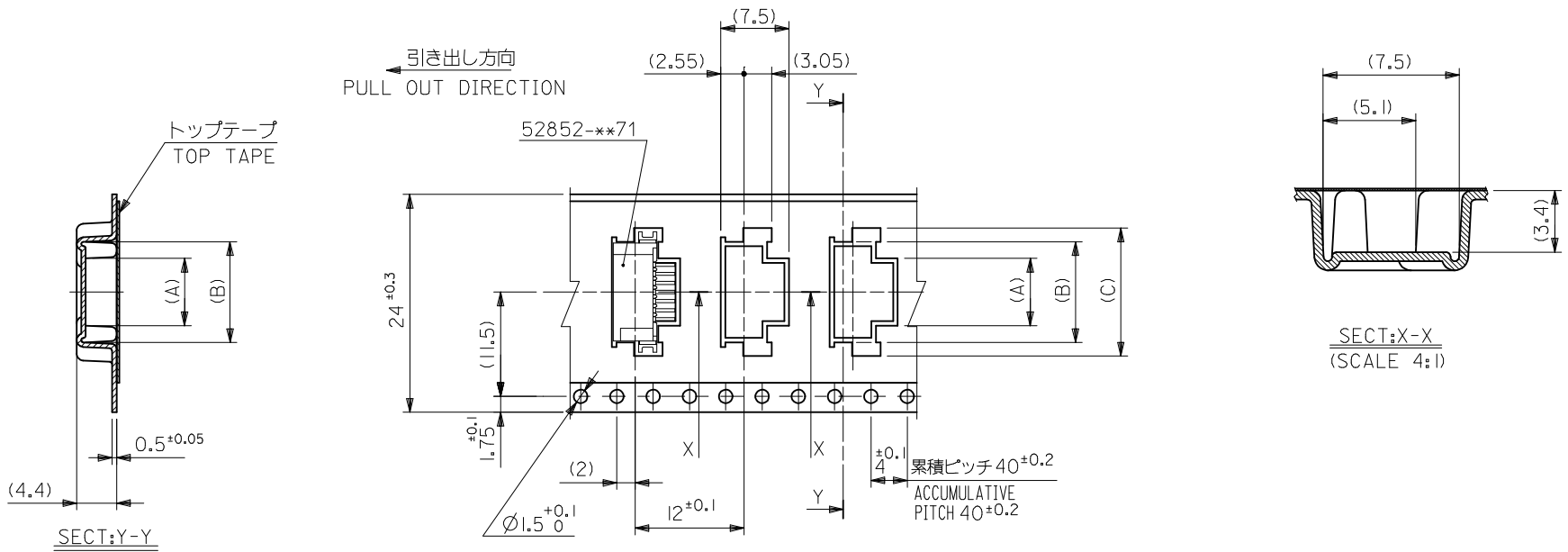
NOTES

- 製品詳細寸法については図面 SD-52852-012 を参照下さい。
RE DETAILED DIMENSION, SEE SD-52852-012.
- 梱包数量：1000個/リール
NUMBER OF CONNECTORS：1000PCS/REEL
- リードテープ長さ LEAD TAPE LENGTH



- 材料 (MATERIAL)
キャリアテープ (CARRIER TAPE)：ポリプロピレン (POLYPROPYLENE)
トップテープ (TOP TAPE)：PET, PE, PEF
リール (REEL)：ポリスチレン (PS) <リサイクル材を含む>
POLYSTYREN (PS) <RECYCLE MATERIAL CONTAINED>
- 本製品は 52852 シリーズの金メッキ品である。
THIS PRODUCT IS Au PLATING OF 52852 SERIES.

REVISED EC NO: J2014-0324 DRWN:MTAKAHASHI 04/2013/08/20 CHKD:KATAHASHI 2013/08/20 APPR:YNOGAWA 2013/08/27	GENERAL TOLERANCES (UNLESS SPECIFIED)		DIMENSION STYLE MM ONLY		SCALE ---	52852-**-72	MODEL NO.
	10 UNDER	±0.2	DRAWN BY M. NABEI	DATE '05/08/23	TITLE 1.0 FPC CONN NON ZIF SMT RA BOTTOM CONTACT EMBSTP -LEAD FREE-	DESIGN UNITS METRIC	THIRD ANGLE PROJECTION
	10 OVER 30 UNDER	±0.25	CHECKED BY K. TOYODA	DATE '05/08/23	molex	DOCUMENT NO. SD-52852-013	SHEET NO. 1 OF 5
	30 OVER	±0.3	APPROVED BY N. UKITA	DATE '05/08/23			
ANGULAR ±3 °	DRAFT WHERE APPLICABLE MUST REMAIN WITHIN DIMENSIONS		MATERIAL NO. SEE CHART		THIS DRAWING CONTAINS INFORMATION THAT IS PROPRIETARY TO MOLEX INCORPORATED AND SHOULD NOT BE USED WITHOUT WRITTEN PERMISSION		

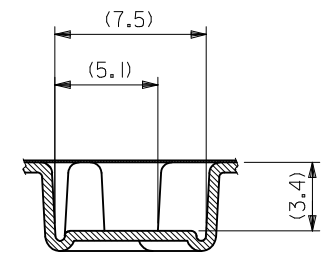
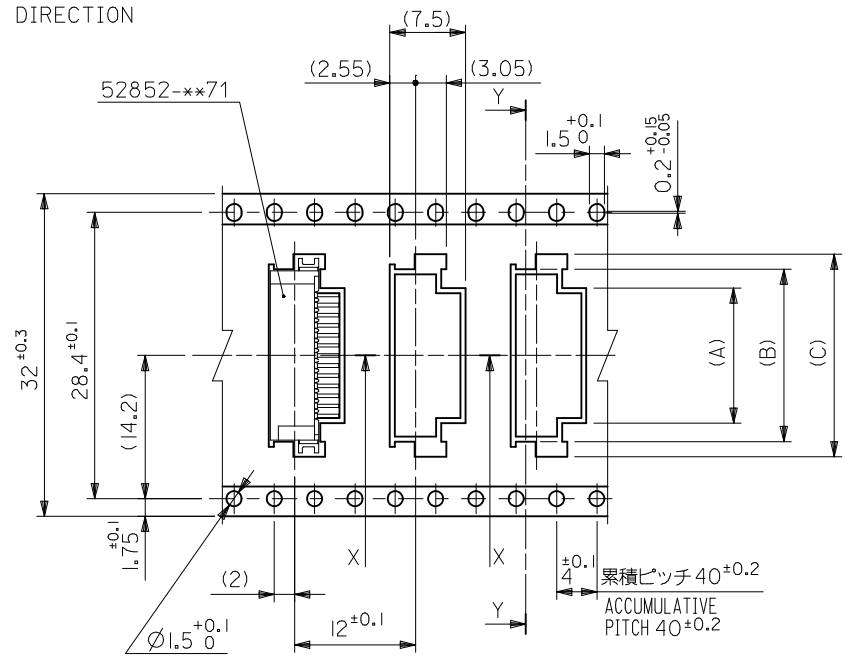
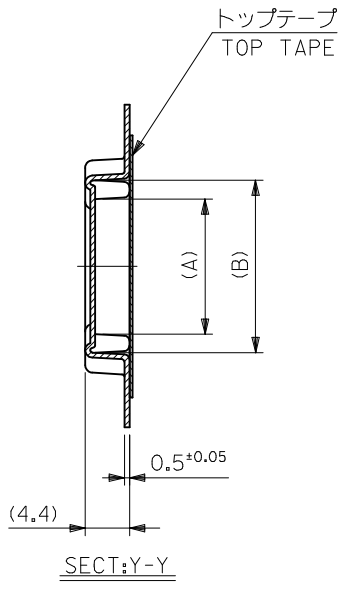


24mm幅キャリアテープ
24mm WIDTH CARRIER TAPE

24	29.4	25.4	11.1	8.1	4.4	52852-0472	4
キャリアテープ幅 CARRIER TAPE WIDTH	E	D	(C)	(B)	(A)	MATERIAL NO.	種数 CKT.

REVISED EC NO: J2014-0324 DRWN:MTAKAHASHI 04/2013/08/20 CHKD:KTAHASHI 2013/08/20 APPR:YNOGAWA 2013/08/27	GENERAL TOLERANCES (UNLESS SPECIFIED)		DIMENSION STYLE MM ONLY		SCALE ---	DESIGN UNITS METRIC	MODEL NO. 52852-**72	THIRD ANGLE PROJECTION
	10 UNDER	±0.2	DRAWN BY M. NABEI	DATE '05/08/23	TITLE 1.0 FPC CONN NON ZIF SMT RA BOTTOM CONTACT EMBSTP -LEAD FREE-			
	10 OVER 30 UNDER	±0.25	CHECKED BY K. TOYODA	DATE '05/08/23	molex SD-52852-013			
	30 OVER	±0.3	APPROVED BY N. UKITA	DATE '05/08/23				
ANGULAR ±3 °		MATERIAL NO. SEE CHART		DOCUMENT NO. SD-52852-013		SHEET NO. 2 OF 5		
DRAFT WHERE APPLICABLE MUST REMAIN WITHIN DIMENSIONS		THIS DRAWING CONTAINS INFORMATION THAT IS PROPRIETARY TO MOLEX INCORPORATED AND SHOULD NOT BE USED WITHOUT WRITTEN PERMISSION						

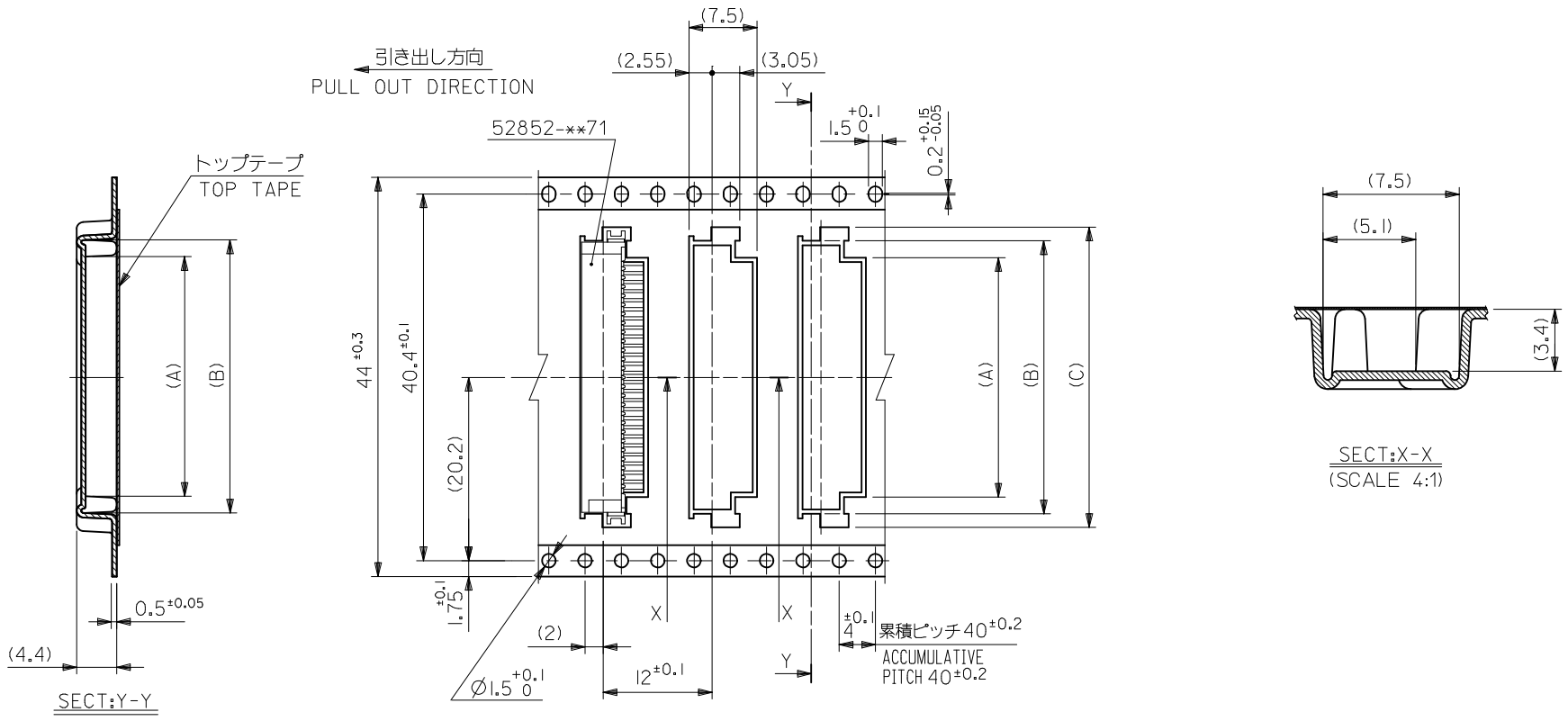
引き出し方向
PULL OUT DIRECTION



32mm幅キャリアテープ
32mm WIDTH CARRIER TAPE

32	33.7	33.4	23.1	20.1	16.4	52852-1672	16
			22.1	19.1	15.4	52852-1572	15
			21.1	18.1	14.4	52852-1472	14
			20.1	17.1	13.4	52852-1372	13
			19.1	16.1	12.4	52852-1272	12
キャリアテープ幅 CARRIER TAPE WIDTH	E	D	(C)	(B)	(A)	MATERIAL NO.	種数 CKT.

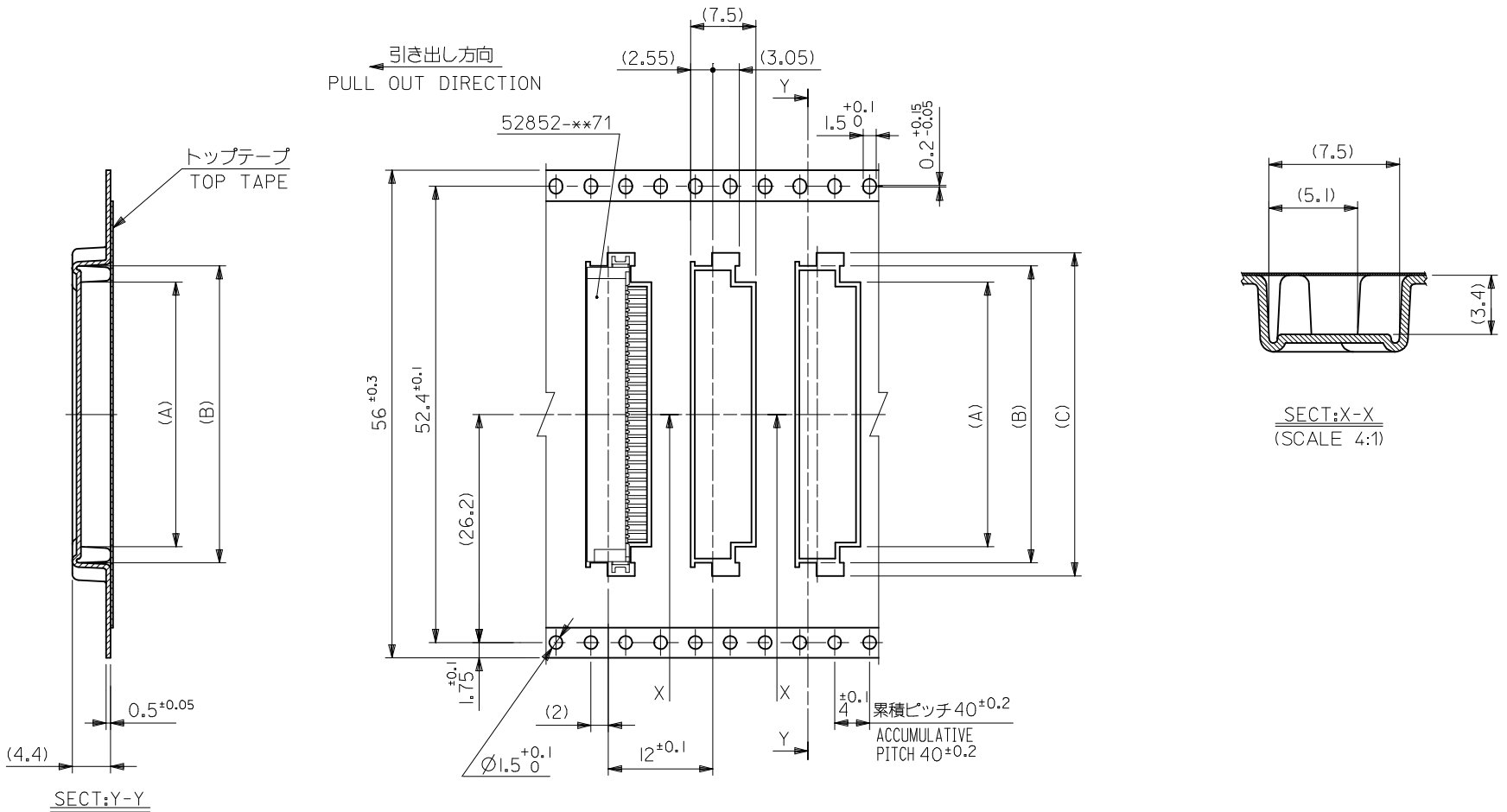
REVISED EC NO: J2014-0324 DRWN:MTAKAHASHI 04/2013/08/20 CHKD:KTAHAKASHI 2013/08/20 APPR:YNOGAWA 2013/08/27	DESCRIPTION	GENERAL TOLERANCES (UNLESS SPECIFIED)	DIMENSION STYLE MM ONLY	SCALE ---	DESIGN UNITS METRIC	MODEL NO. 52852-**-72
	REV	10 UNDER ±0.2	DRAWN BY M. NABEI	DATE '05/08/23	TITLE 1.0 FPC CONN NON ZIF SMT RA BOTTOM CONTACT EMBSTP -LEAD FREE-	THIRD ANGLE PROJECTION molex DOCUMENT NO. SD-52852-013 SHEET NO. 3 OF 5
		10 OVER 30 UNDER ±0.25	CHECKED BY K. TOYODA	DATE '05/08/23		
		30 OVER ±0.3	APPROVED BY N. UKITA	DATE '05/08/23		
	ANGULAR ±3 °	MATERIAL NO.	SEE CHART			
	DRAFT WHERE APPLICABLE MUST REMAIN WITHIN DIMENSIONS	SIZE A3	THIS DRAWING CONTAINS INFORMATION THAT IS PROPRIETARY TO MOLEX INCORPORATED AND SHOULD NOT BE USED WITHOUT WRITTEN PERMISSION			



44mm幅キャリアテープ
44mm WIDTH CARRIER TAPE

44	49.5	45.5	33.1	30.1	26.4	52852-2672	26
			31.1	28.1	24.4	52852-2472	24
キャリアテープ幅 CARRIER TAPE WIDTH	E	D	(C)	(B)	(A)	MATERIAL NO.	種数 CKT.

REVISED EC NO: J2014-0324 DRWN:MTAKAHASHI 04/2013/08/20 CHK'D:KAKAHASHI 2013/08/20 APPR:YNOGAWA 2013/08/27	GENERAL TOLERANCES (UNLESS SPECIFIED)	DIMENSION STYLE MM ONLY	SCALE ---	DESIGN UNITS METRIC	MODEL NO. 52852-**72	
	10 UNDER ±0.2 10 OVER 30 UNDER ±0.25 30 OVER ±0.3	DRAWN BY M. NABEI	DATE '05/08/23	TITLE 1.0 FPC CONN NON ZIF SMT RA BOTTOM CONTACT EMBSTP -LEAD FREE-		
	ANGULAR ±3 ° DRAFT WHERE APPLICABLE MUST REMAIN WITHIN DIMENSIONS	CHECKED BY K. TOYODA	DATE '05/08/23	molex SD-52852-013		
		APPROVED BY N. UKITA	DATE '05/08/23			
	SEE CHART		MATERIAL NO.	DOCUMENT NO.	SHEET NO. 4 OF 5	
	THIS DRAWING CONTAINS INFORMATION THAT IS PROPRIETARY TO MOLEX INCORPORATED AND SHOULD NOT BE USED WITHOUT WRITTEN PERMISSION					



56mm幅キャリアテープ
56mm WIDTH CARRIER TAPE

56	61.4	57.4	36.1	33.1	29.4	52852-2972	29
キャリアテープ幅 CARRIER TAPE WIDTH	E	D	(C)	(B)	(A)	MATERIAL NO.	種数 CKT.

REVISED EC NO: J2014-0324 DRWN:MTAKAHASHI 04/2013/08/20 CHK'D:KTAHASHI 2013/08/20 APPR:YNOGAWA 2013/08/27	GENERAL TOLERANCES (UNLESS SPECIFIED)		DIMENSION STYLE MM ONLY		SCALE ---	DESIGN UNITS METRIC	MODEL NO. 52852-**72	THIRD ANGLE PROJECTION	
	10 UNDER ±0.2	10 OVER 30 UNDER ±0.25	30 OVER ±0.3	DRAWN BY M. NABEI	DATE '05/08/23	TITLE 1.0 FPC CONN NON ZIF SMT RA BOTTOM CONTACT EMBSTP -LEAD FREE-			
	ANGULAR ±3 °			CHECKED BY K. TOYODA	DATE '05/08/23	DOCUMENT NO. SD-52852-013			
	DRAFT WHERE APPLICABLE MUST REMAIN WITHIN DIMENSIONS			APPROVED BY N. UKITA	DATE '05/08/23	SEE CHART			
SIZE A3		THIS DRAWING CONTAINS INFORMATION THAT IS PROPRIETARY TO MOLEX INCORPORATED AND SHOULD NOT BE USED WITHOUT WRITTEN PERMISSION							