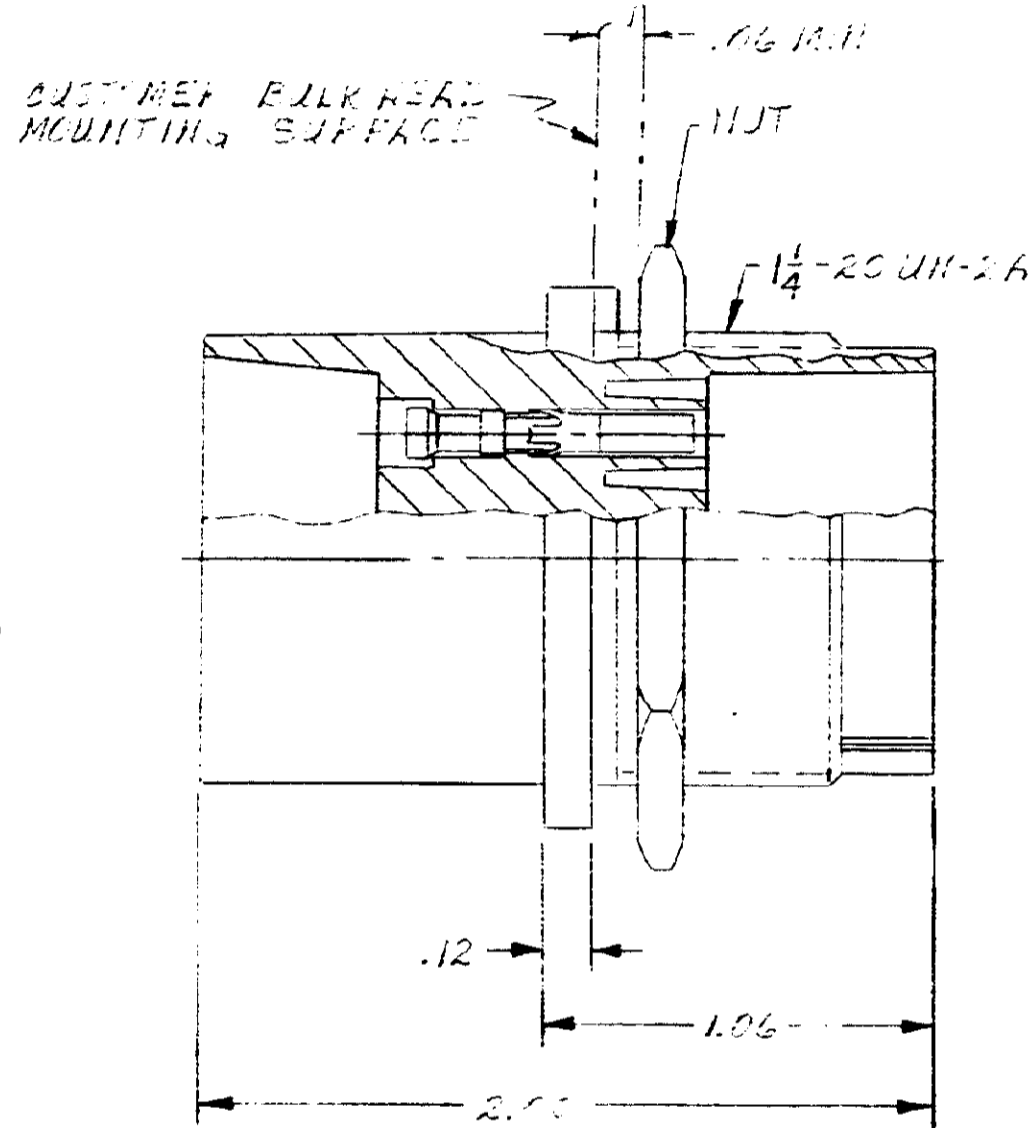


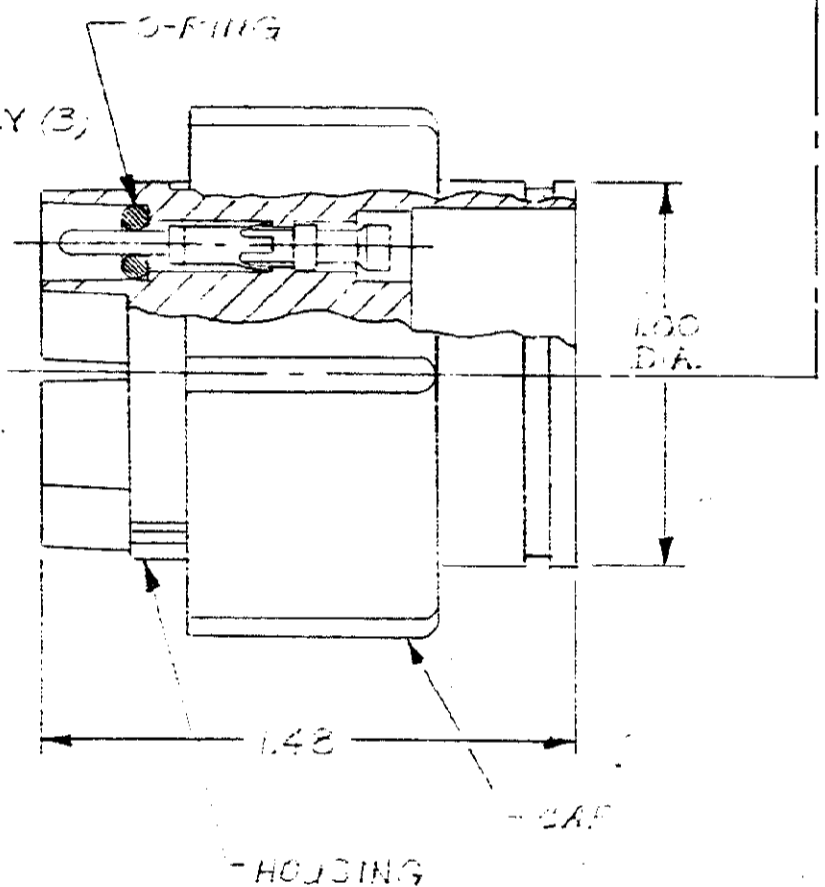
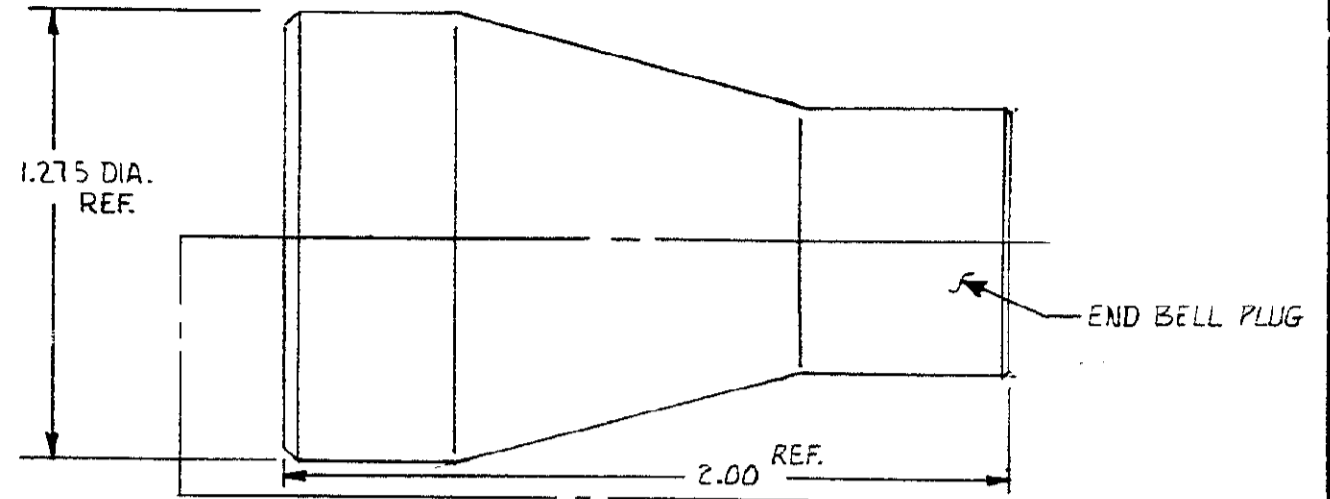
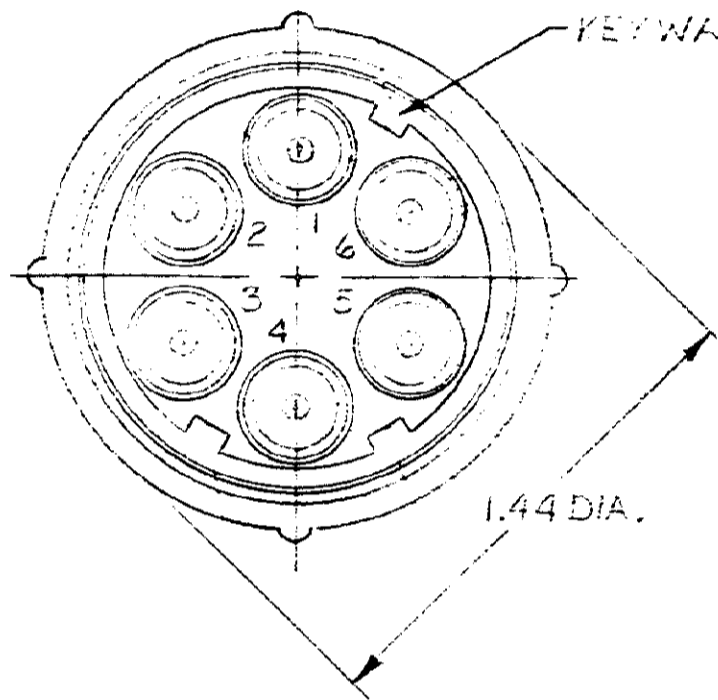
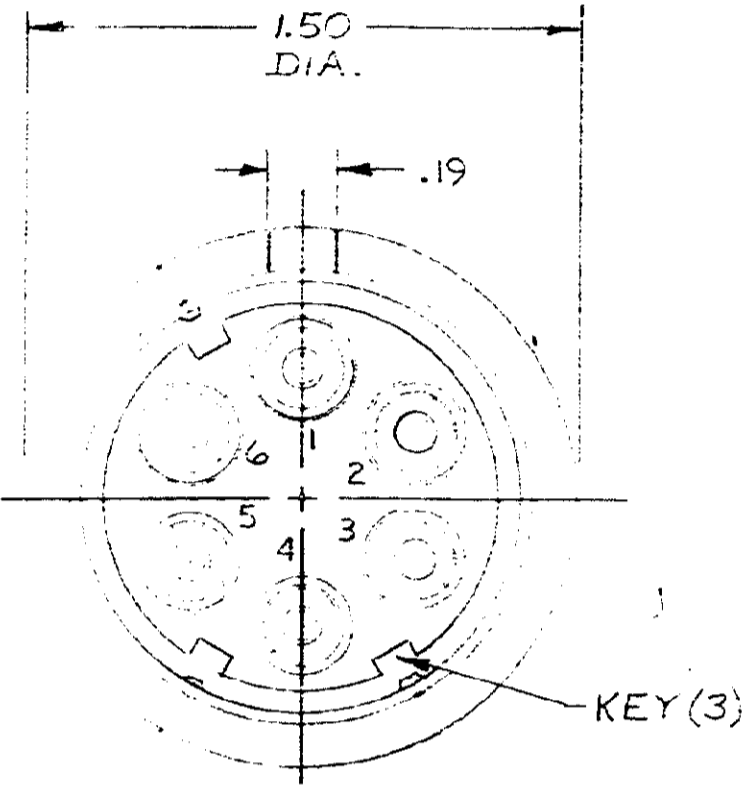
© COPYRIGHT 1976 BY AMP INCORPORATED, HARRISBURG, PA. ALL INTERNATIONAL RIGHTS RESERVED.

THIS PRODUCT AND THE NAME OF AMP INCORPORATED ARE TRADEMARKS OF AMP INCORPORATED. NO OTHER TRADEMARKS OR PATENT RIGHTS ARE INTENDED TO BE CLAIMED.

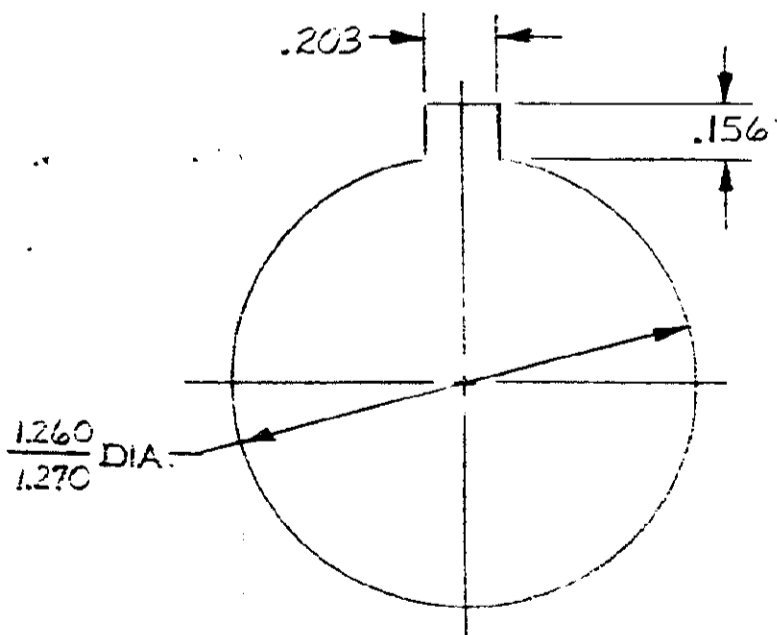
REVISIONS				
ZONE	LTR	DESCRIPTION	DATE	APPROVED
B-2	A	RECEPTACLE WIRE - 1, 2, 4-3	EN 7/27/79	WJS
	B	REV. EN 8/5/80	EN 8/6/79	WJS



RECEPTACLE
859527



PLUG
863023



RECOMMENDED PANEL CUTOUT

AMP P/N	RCPT.	PLUG	WIRE SIZE RANGE	HAND TOOL
863018-1	859527-4	863023-1	20, 22, 24	45099
863018-2	859527-5	863023-2	16, 18	45098
863018-3	859527-6	863023-3	14	45098

- NOTE
- TYPE II PINS & SOCKETS TO ACCEPT ONE (1) 14 AWG STRANDED WIRE.
 - TYPE II PINS & SOCKETS TO ACCEPT ONE (1) 22 AWG, (1) 20 AWG, OR (1) 24 AWG STRANDED WIRE.
 - TYPE II PINS & SOCKETS TO ACCEPT ONE (1) 16 AWG OR (1) 18 AWG STRANDED WIRE.
 - PINS & SOCKETS SUPPLIED SEPARATELY IN A PLASTIC BAG.

QTY REQD	QTY	ITEM NO.	DWG SIZE	PART OR IDENTIFYING NO.	NOMENCLATURE OR DESCRIPTION	SYMBOL
-2	-1					

UNLESS OTHERWISE SPECIFIED: DIMENSIONS ARE IN INCHES TOLERANCES .00 = ± ANGLES = J .000 = ±				CONTRACT NO. DR DICK STONE 3-1-76 CHK		AMP INCORPORATED CAPTRON DIVISION ELIZABETHTOWN, PENNSYLVANIA	
MATERIAL: MOLDED PLASTIC				APPD <i>M. Jordan</i> 3/3/76 APPD		NAME 6 PIN PLUG & RECEPTACLE KIT	
FINISH: BLACK				DSGN APPD		SIZE C	
NEXT ASSY				OTHER APPD		CODE IDENT NO. 00779	
QTY REQD				APPLICATION		NUMBER 863018	
				SCALE 2-1		SHEET 1 OF 1	

PRINT DIST
237