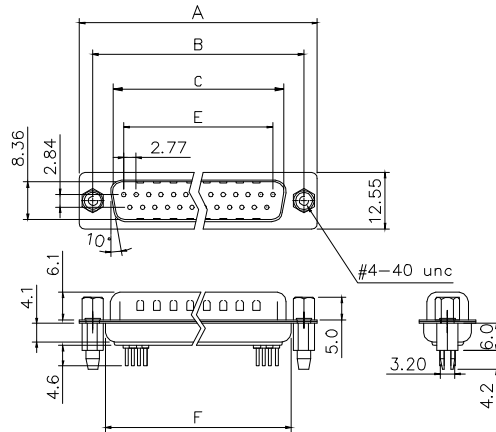
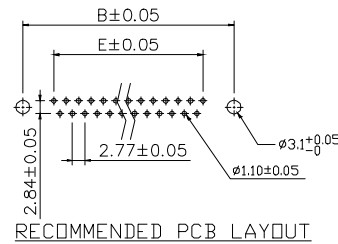


Male:



Dimensions

Positions	A	B	C	E	F
9	30.81	24.99	16.92	11.08	19.20
15	39.20	33.30	25.25	19.39	27.70
25	53.05	47.04	38.96	33.24	41.10
37	69.40	63.50	55.42	49.86	57.30



Product Specification

Material

Insulator : Glass-Filled Thermoplastic PBT,UL94V-0, Black
 Contact : Copper alloy, Gold Flash
 Tin on soldering area over Nickel
 Shell : Steel, 100u" Tin Over 50u" min Copper
 Boardlock : Brass, Tin Plated
 Screwlock : Steel, Nickel Plated

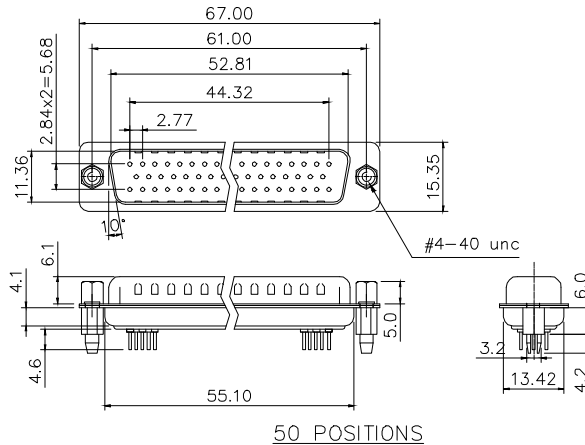
Electrical

Contact Resistance : 20 milliohms
 Max at 1 AMP DC.
 Insulation Resistance : 1000
 megohms at 500 VDC
 Dielectric Withstanding Voltage :
 1000 VAC/rms 60Hz for 1 minute
 Current Rating : 3 AMP
 Voltage Rating : 250 VAC/rms 60Hz
 Durability: 50 Mating cycles Min., Quality Class III
 Packing: Tray
 Test condition: MIL-STD-1344A
 ④ Temperature Range : -55°C ~ +105°C

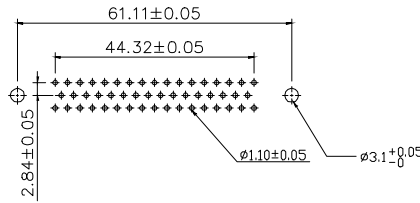
② A-DXxx-GK-3U1-TP1

Contact style:
 F - Female
 S - Male

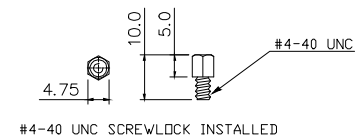
No. of Contacts
 09: 9 Positions
 15: 15 Positions
 25: 25 Positions
 37: 37 Positions
 50: 50 Positions



50 POSITIONS



RECOMMENDED PCB LAYOUT



#4-40 UNC SCREWLOCK INSTALLED

RoHS compliant
 Unit: mm

Scale	Free					Date	Name	Description: D-SUB Connector
TOLERANCE		④	Update operating temperature	23.12.2020	Luca	Drawn	21.09.2018	Xavier
X.	±0.38	③	Change P/N	03.05.2019	S.Böling	Approved	23.12.2020	Luca
X.X	±0.25	②	Change P/N	06.11.2018	Xavier			
X.XX	±0.13	①	Add order code	24.10.2018	Xavier			
DIM	TOL	①	Drawn	21.09.2018	Xavier			
X.°	±3°							
X.X°	±1.0°							
Angle	TOL	Id.	Modification	Date	Name			

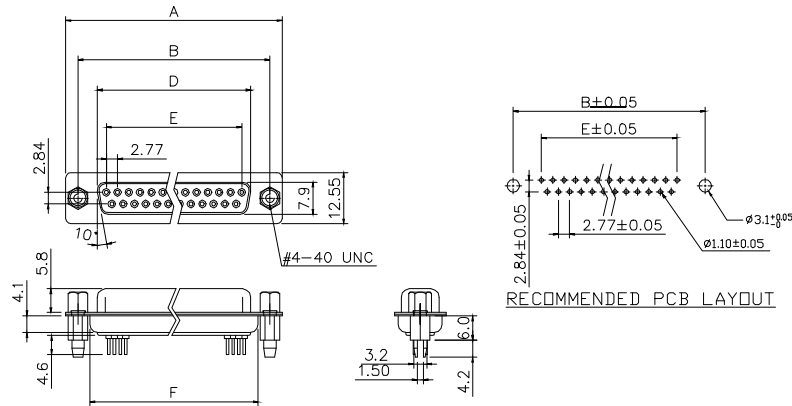


ASSMANN WSW-No.
 ② A-DSxx-GK-3U1-TP1

Drawing-No. ASS 8239 CO rev04

Customer-No. Sheet 1/2

Female:



DIMENSION TABLE

POSITIONS	A±0.25	B±0.10	D±0.13	E±0.08	F±0.10
9	30.81	24.99	16.33	11.08	19.20
15	39.20	33.30	24.70	19.39	27.70
25	53.05	47.04	38.40	33.24	41.10
37	69.40	63.50	54.80	49.86	57.30

RECOMMENDED PCB LAYOUT

Specification

Material

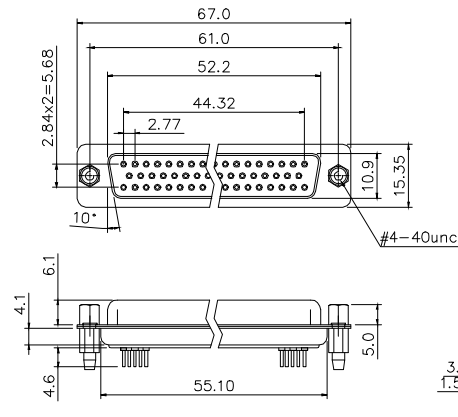
Insulator : Glass-Filled Thermoplastic PBT, UL94V-0, Black
 Contact : Copper alloy, Gold Flash
 Tin on soldering area over Nickel
 Shell : Steel, 100u" Tin Over 50u" min Copper
 Boardlock : Brass, Tin Plated
 Screwlock : Steel, Nickel Plated

Electrical

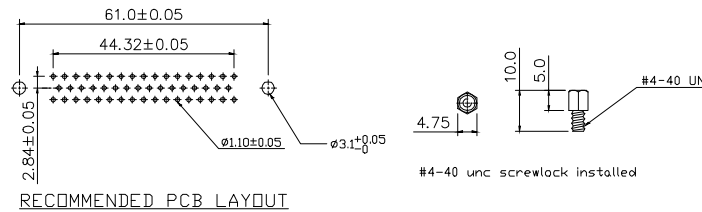
Contact Resistance : 20 milliohms
 Insulation Resistance : 1000 megohms min.
 at 500 VDC
 Dielectric Withstanding Voltage :
 1000 VAC/rms 60Hz for 1 minute
 Current Rating : 3 AMP
 Volatge Rating : 250 VAC/rms 60Hz

Environmental

- ④ Temperature Range : -55°C ~ +105°C
- Durability: 50 Mating cycles Min., Quality Class III
- Packing: Tray
- Test condition: MIL-STD-1344A



50 POSITIONS



RECOMMENDED PCB LAYOUT

G	<p>RoHS compliant Unit: mm</p>	Scale	Free					Date	Name	Description: D-SUB Connector				
		TOLERANCE		④	Update operating temperature	23.12.2020	Luca	Drawn	21.09.2018	Xavier	ASSMANN WSW-No. ② A-DFxx-GK-3U1-TP1			
X.		±0.38	③	Change P/N	03.05.2019	S.Böling	Approved	23.12.2020	Luca					
X.X		±0.25	②	Change P/N	06.11.2018	Xavier								
H			X.XX	±0.13	①	Add oerder code	24.10.2018	Xavier				Drawing-No.	ASS 8239 CO	rev04
			DIM	TOL	①	Add oerder code	24.10.2018	Xavier				Customer-No.		
			X.°	±3°	①	Drawn	21.09.2018	Xavier					2/2	
		X.X°	±1.0°	①	Drawn	21.09.2018	Xavier							
		Angle	TOL	Id.	Modification	Date	Name							