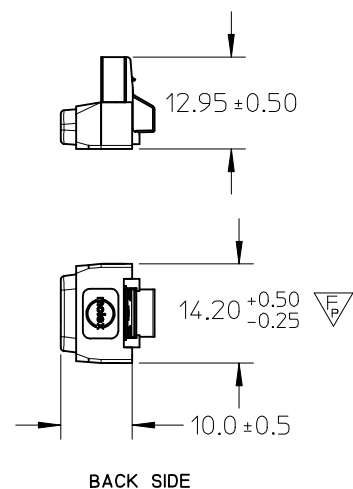
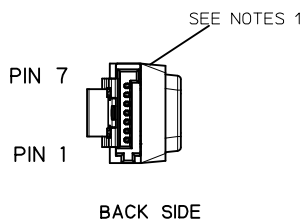
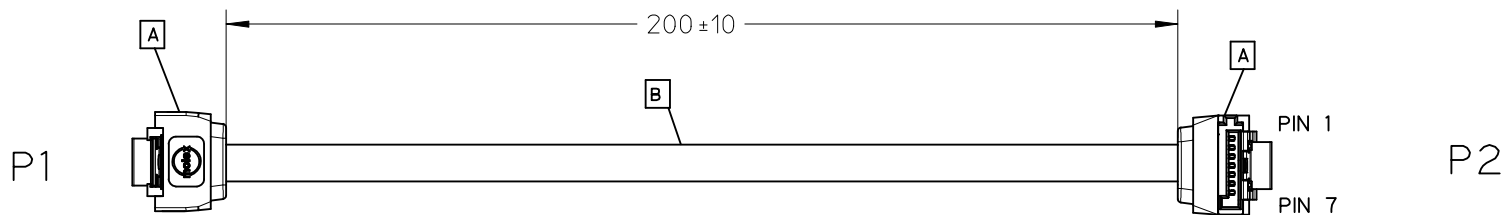


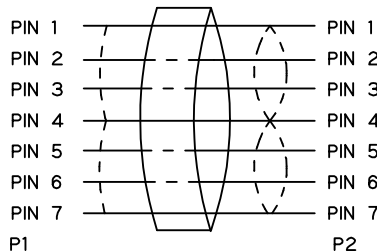
ECN NO		DATE		REV		REVISIONS		DESCRIPTION		CHANGER
C2009-5170		2008/07/30		B		CONNECTOR CHANGED				ZLLI04
CY10-5058		2009/07/15		C		CHANGE CABLE				ZLLI04
CY15-5173		2014/08/12		D		CHANGE RAW CABLE				LUCY



NOTES:

1. OUTER MOLD WITH BLACK PVC RESIN  
INNER MOLD WITH PE RESIN
2. ELECTRICAL PERFORMANCE REFER TO S-ATA INDUSTRY STANDARD
3. THIS PRODUCT MUST MEET EU 2002/95/EC RoHS DIRECTIVE.

WIRE CHART



D	B	2PX26AWG;SHLD;PVC;RD;2.2X7.6MM;SATA 1.0	220Ref	
	A	S-ATA R/A CONN WITH LATCH		2
	ITEM	DESCRIPTION	L	QTY.

ENTER DESCRIPTION EC NO: CPG2015-1224 DRWN: XJGU001 CHKD: LUCY APPR: FNIE	QUALITY SYMBOLS FA=0 FC=0 FP=1	GENERAL TOLERANCES (UNLESS SPECIFIED)		DIMENSION STYLE MM ONLY		SCALE	DESIGN UNITS METRIC	THIRD ANGLE PROJECTION		
			mm	INCH	DRAWN BY XJGU001	DATE 2014/09/09	TITLE SATA RA TO RA OPP WAY W/LATCH 200MM EUR			
		4 PLACES	± ---	± ---	CHECKED BY XHLEI	DATE 2014/09/09				
		3 PLACES	± ---	± ---	APPROVED BY FNIE	DATE 2014/09/10				
			ANGULAR ± ---°		MATERIAL NO. 687610286	DOCUMENT NO. SD-68761-145	SHEET NO. 1 OF 1			
		DRAFT WHERE APPLICABLE MUST REMAIN WITHIN DIMENSIONS		SIZE A/4	THIS DRAWING CONTAINS INFORMATION THAT IS PROPRIETARY TO MOLEX INCORPORATED AND SHOULD NOT BE USED WITHOUT WRITTEN PERMISSION					