



**REED SWITCH DEVELOPMENTS CORP.**

2524 Norwood Court

Racine, WI 53403

Ph: (262)883-9060

[sales@reedswitchdevelopments.com](mailto:sales@reedswitchdevelopments.com)

**SPECIFICATION SHEET**

**2501-1960-100**

Alternate Part Number:  
**AM2501-1960-10-01**

Active / Equivalent Part Numbers:

2501-1960-100 - Magnetic Reed Sensor Only

AM2501-1960-10-01 - Magnetic Reed Sensor Only

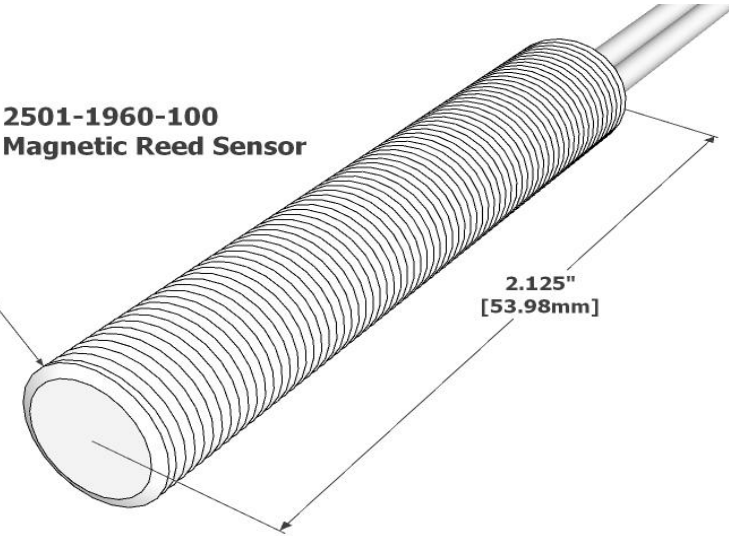
**Sensor (Reed) - Specifications 1960**

Physical	Configuration	SPST	
	Form	A	
	Contact Position	CENTER	
	Glass L	24.50	mm
	Glass D	3.80	mm
	Total L*	55.00	mm
	Wire D	0.80	mm
	Gap Location	CENTER	
	Mount Spec*	THRU	
	Contact Material	RHODIUM	
	Max Vibration Resistance	35	G
	Max Shock Resistance (11ms)	50	G
Lead Tensile Strength	N/A	KG	
Operating	Pull in (+/- 2AT)*	35 - 40	AT
	Drop out*	15	AT
	Operate Time	2.50	ms
	Bounce Time	0.50	ms
	Release Time	0.10	µs
	Resonant Frequency	2400	Hz
	Max Operating Frequency	200	Hz
	Operating Temperature Range	-40 - 105	°C
	Storage Temperature	N/A	°C
	Electrical	DC Contact Rating	60
AC Contact Rating		60	VA
DC Switching Voltage		400	VDC
AC Switching Voltage		400	VAC
DC Switching Current		3.00	A
AC Switching Current		3.00	A
DC Max Carry Current		4.00	A
AC Max Carry Current		4.00	A
Min Breakdown Voltage		1000	VDC
Max Initial Contact Resistance		80	mOhm
Typical Initial Contact Resistance		N/A	mOhm
Max Contact Capacitance		0.50	pF
Min Insulation Resistance		10 <sup>11</sup>	Ohm

\* Pre-processed, bare reed element

**2501-1960-100  
Magnetic Reed Sensor**

DIA 0.375" [9.52mm]  
3/8-27 THREAD



2.125"  
[53.98mm]

All measurements are in Inches [millimeters]

**Sensor - Wire/Cable Characteristics (cont.)**

Type	Wire
Conductor Count	2
Length	18.0"/457.2mm
Colors	BLK
Insulation Material	PVC
Gauge	22 AWG
Stranded Copper	7 STR-TC
Maximum Temp	105°C

**Housing Characteristics 2501**

Cylindrical Threaded (3/8-27)	
Length / Thickness	2.125"/53.98mm
Diameter	0.375"/9.53mm
Material	Aluminum

For More Information Visit:

[www.reedswitchdevelopments.com](http://www.reedswitchdevelopments.com)

Or Call Us At:

262-883-9060

**Standard Sensor/Actuator - Min. Actuation Distance**

2501-4932-000	0.44"/11.2mm
---------------	--------------

**Assembly Certifications**

UL Recognized (File #: E102207)	Y
RoHS / Reach Compliant	Y
Conflict Free Material	Y

REV DATE: 10/06/2021

DISCLAIMER NOTICE: INFORMATION FURNISHED IS PROPRIETARY, AND IS BELIEVED TO BE ACCURATE AND RELIABLE, AND IS SUBJECT TO CHANGE WITHOUT NOTICE. IT SHALL BE THE RESPONSIBILITY OF THE BUYER TO ENSURE THAT THE GOODS ARE SUFFICIENT AND SUITABLE FOR THE PURPOSE OR PURPOSES INTENDED (WHETHER BY THE BUYER OR BY ANY THIRD PARTY) AND THAT THEIR CAPACITY AND PERFORMANCE IS NOT ADVERSELY AFFECTED BY ANY ITEMS USED IN THEIR INSTALLATION (WHERE RELEVANT) AND/OR IN CONNECTION WITH THEM.

**WBE Certified - State of Wisconsin - MFR CAGE CODE: 32604**

[www.reedswitchdevelopments.com](http://www.reedswitchdevelopments.com)