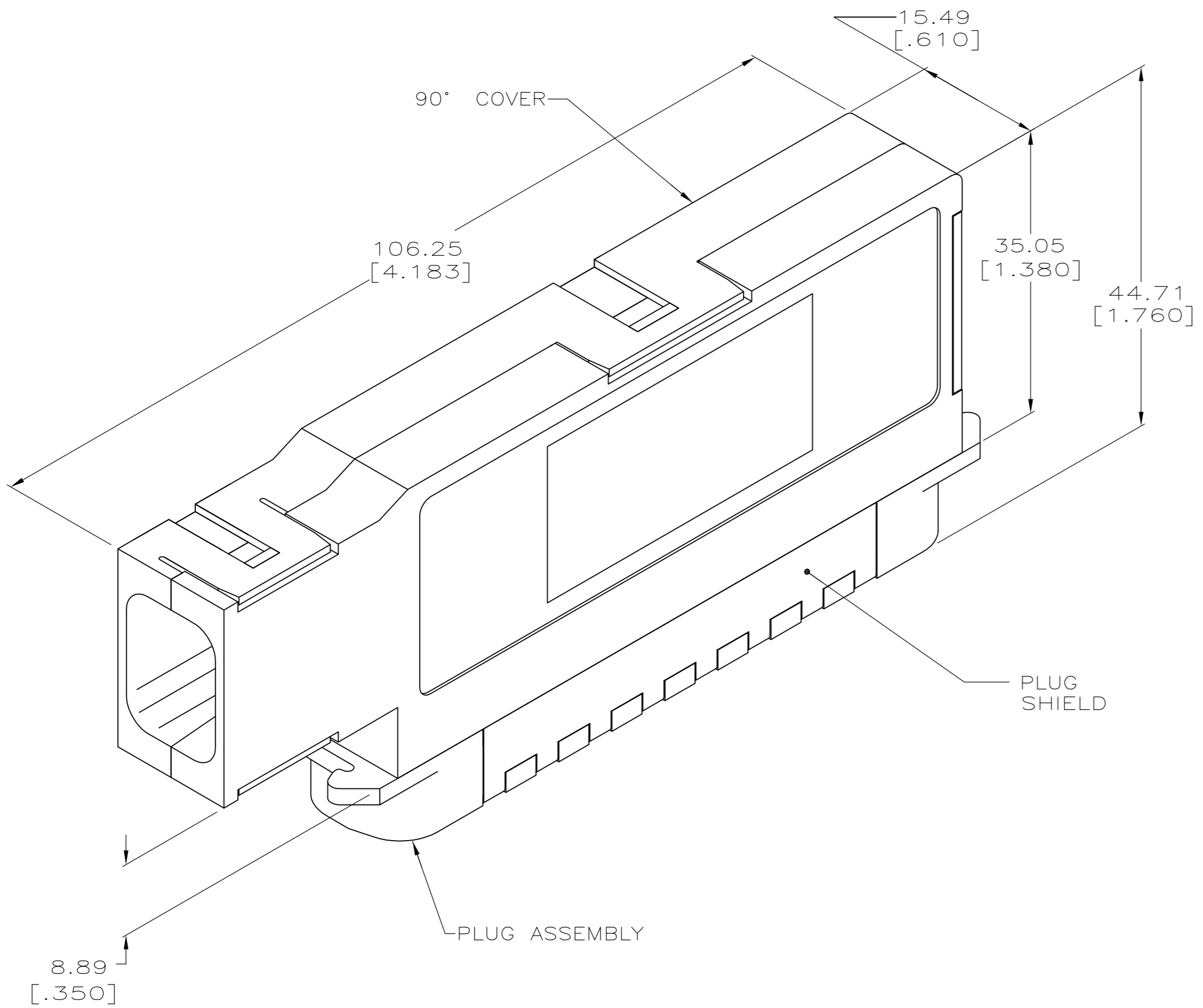


THIS DRAWING IS UNPUBLISHED. RELEASED FOR PUBLICATION
 © COPYRIGHT BY TYCO ELECTRONICS CORPORATION. ALL RIGHTS RESERVED.

LOC		DIST		REVISIONS			
P	LTR	DESCRIPTION		DATE	DWN	APVD	
	C	REVISED PER ECO-08-007327		02OCT08	BM	WM	
	C1	REVISED PER ECO-09-024927		10NOV09	KK	AEG	

1. THIS ASSEMBLY SHOWN ASSEMBLED BUT SHIPPED UNASSEMBLED.
2. MATERIAL: HOUSING - POLYPHENYLENE OXIDE, BLACK. SHIELDS - CARBON STEEL PLATED WITH 5.1µm [.000200] MINIMUM NICKEL. COVERS - ABS MOLDING COMPOUND, PLATED WITH 0.51µm [.000020] MINIMUM ELECTROLYTIC NICKEL OVER 5.1µm [.000200] MINIMUM ELECTROLYTIC COPPER OVER 0.25µm [.000010] MINIMUM ELECTROLESS NICKEL. TERMINAL - PHOSPHOROUS BRONZE PLATED WITH 0.76µm [.000030] MIN GOLD OR GOLD FLASH OVER PALLADIUM NICKEL PLATE, 0.76µm [.000030] MIN TOTAL ON MATING SURFACE. 1.27µm [.000050] MIN NICKEL UNDERPLATE OVER ENTIRE TERMINAL.
3. WIRE SIZE: 24-26 AWG SOLID OR 24 AWG 7-STRANDED COPPER CONDUCTORS. INSULATION DIAMETER 0.73-1.15 [.029-.045] IS ACCEPTABLE FOR MOST APPLICATIONS.
4. WIRE SIZE: 22 AWG SOLID OR 7-STRANDED COPPER CONDUCTORS. INSULATION DIAMETER 1.14-1.42 [.045-.056] IS ACCEPTABLE FOR MOST APPLICATIONS.
5. ALL DIMENSIONS SHOWN ARE MAXIMUM UNLESS OTHERWISE SPECIFIED.
6. CABLE RANGE: 11.43-13.97 [.450-.550] OUTSIDE DIAMETER.
7. CABLE RANGE: 13.97-17.78 [.550-.700] OUTSIDE DIAMETER.
8. DIMENSIONS SHOWN IN [] ARE INCHES.
9. KIT PACKAGED 1 PER POLYBAG.
10. BULK PACKAGED 100 KITS PER BOX.
11. WIRE SIZE: 24 AND 26 AWG SOLID OR STRANDED (7 STRANDS) COPPER CONDUCTORS. MAXIMUM INSULATION DIAMETER 1.32 [.052] IS ACCEPTABLE FOR MOST APPLICATIONS.
12. OBSOLETE PARTS: OBSOLETE CIS STREAMLINING PER D.RENAUD/D.SINISI



OBSOLETE	10	WHITE	K	11	6	5556624-4
	10	BLUE	B	3	6	5556624-3
	9	BROWN	F	4	7	5556624-2
	9	BLUE	B	3	6	5556624-1
		PACKAGING	COLOR DOT	SLOT SIZE		PART NUMBER

THIS DRAWING IS A CONTROLLED DOCUMENT.		DWN B. MCMMASTER 07DEC05	Tyco Electronics Corporation Harrisburg, PA 17105-3608	
DIMENSIONS: mm [INCHES]		CHK W. MILLHIMES 07DEC05	NAME PLUG ASSEMBLY KIT, 64 POSITION, 90 DEGREE EXIT, SHIELDED, CHAMP®	
TOLERANCES UNLESS OTHERWISE SPECIFIED:		APVD W. MILLHIMES 07DEC05	SIZE A2	CAGE CODE 00779
0 PLC ± -		PRODUCT SPEC	DRAWING NO C=5556624	RESTRICTED TO -
1 PLC ± -		APPLICATION SPEC	SCALE 2:1	SHEET 1 OF 1
2 PLC ± -		WEIGHT -	REV C1	
3 PLC ± -				
4 PLC ± -				
ANGLES ± -				
FINISH				
MATERIAL				