

MATERIAL

High-strength, reinforced phenolic based (PF) Duroplast, black colour, glossy finish.

RING

Matte anodised aluminium (ELESA original design).

GRADUATION RING

Matte anodised aluminium with black marks and numbers. Left-hand graduation (it increases as handwheel is turned clockwise) with 0, 10, 20... 90 numbering (100 dividing marks).

STANDARD EXECUTION

Black-oxide steel hub, H7 reamed hole with keyway.
Fold-away handle IR.302 (see page 671) in Duroplast.

HOLE FOR BLOCKING THE ADJUSTMENT

Brass boss at a distance R from the centre: hole (f) can be threaded M6 and used to couple other blocking elements.

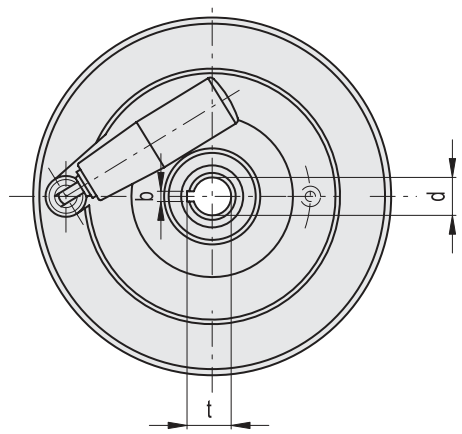
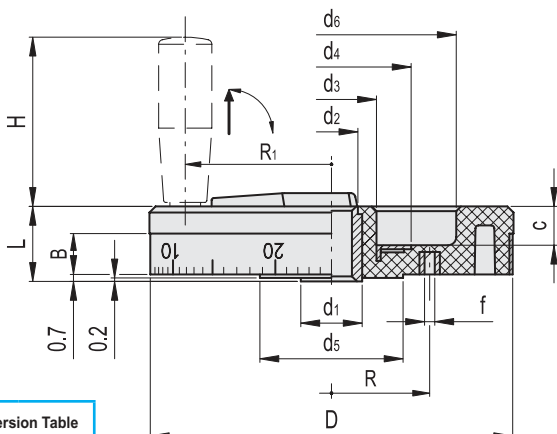
ACCESSORIES ON REQUEST

Axial retaining washer GN 184 (see page 1021).



ELESA Original design

- 1
- 2
- 3
- 4
- 5
- 6
- 7
- 8
- 9
- 10
- 11
- 12
- 13
- 14
- 15
- 16
- 17
- 18



Conversion Table	
1 mm = 0.039 inch	
D	
mm	inch
175	6.89
200	7.87

METRIC

Code	Description	D	dH7	t+0.1	bP9	L	B	d1	d2	d3	d4	d5	d6	H	R	R1	c	f	△
71701	VDG.175+IR A-20+GS-100/100	175	20	22.8	6	34	20	30	28	44	70	70	122	80	48	71	19	5	930
71751	VDG.200+IR A-20+GS-100/100	200	20	22.8	6	34	20	36	34	55	90	70	135	80	55	75	19	5	1185

Operating elements