

SACC-E-M 8FS-3CON-M8/2,0 - Device connector front mounting



1081551

<https://www.phoenixcontact.com/us/products/1081551>

Please be informed that the data shown in this PDF document is generated from our online catalog. Please find the complete data in the user documentation. Our general terms of use for downloads are valid.



Device connector front mounting, 3-position, Socket, straight, M8, Front mounting, M8 x 0.5, Individual wires, cable length: 2 m, 0.25 mm², PVC litz wire

Your advantages

- Preassembled with litz wires for immediate use
- Customer-specific assemblies and litz wire lengths available
- Sealed on the litz wire side for optimum leak-tightness
- Standard pin assignments and codings for signal transmission with a uniform design-in design

Commercial data

Item number	1081551
Packing unit	1 pc
Minimum order quantity	100 pc
Sales key	AB22
Product key	ABQIBA
GTIN	4055626810300
Weight per piece (including packing)	30.7 g
Weight per piece (excluding packing)	29.78 g
Customs tariff number	85444290
Country of origin	DE

SACC-E-M 8FS-3CON-M8/2,0 - Device connector front mounting



1081551

<https://www.phoenixcontact.com/us/products/1081551>

Technical data

Mounting

Mounting type	Front mounting M8 x 0.5
Connection method	Individual wires

Product properties

Product type	Circular connectors (device side)
Number of positions	3
No. of cable outlets	1
Shielded	no
Coding	A

Insulation characteristics

Overvoltage category	II
Degree of pollution	3

Material specifications

Flammability rating according to UL 94	HB
Seal material	Viton
Contact material	CuSn
Contact surface material	Au
Contact carrier material	PUR
Material for screw connection	Brass, nickel-plated
Conductor material	Tin-plated Cu litz wires

Electrical properties

Rated surge voltage	1.5 kV
Contact resistance	$\leq 3 \text{ m}\Omega$
Insulation resistance	$\geq 100 \text{ M}\Omega$
Nominal voltage U_N	48 V AC
	60 V DC
Nominal current I_N	4 A
Max. conductor resistance	80 Ω/km

Connection data

Conductor connection	
Connection method	Individual wires

Connector

Connection 1	
Head design	Socket

SACC-E-M 8FS-3CON-M8/2,0 - Device connector front mounting



1081551

<https://www.phoenixcontact.com/us/products/1081551>

Head cable outlet	straight
Head thread type	M8

Cable/line

Cable length	2 m
Cable type	PVC litz wire
Wire diameter incl. insulation	1.5 mm ±0.1 mm
Single wire, color	brown, blue, black
Conductor material	Tin-plated Cu litz wires
Conductor structure signal line	7x 0.20 mm
AWG signal line	24
Material wire insulation	PVC / UL
Thickness, insulation	0.21 mm
Nominal voltage, cable	300 V
Test voltage, cable	2000 V AC
Cable resistance	≥ 80 Ω/km
Cable insulation resistance	≥ 20 MΩ*km
Ambient temperature (operation)	-40 °C ... 105 °C (cable, fixed installation) -10 °C ... 105 °C (Cable, flexible installation)

Environmental and real-life conditions

Ambient conditions

Degree of protection	IP67 IP67
Ambient temperature (operation)	-25 °C ... 85 °C (Plug / socket) -40 °C ... 105 °C (cable, fixed installation) -10 °C ... 105 °C (Cable, flexible installation)

Standards and regulations

M8

Standard designation	M8 connector
Standards/specifications	IEC 61076-2-104

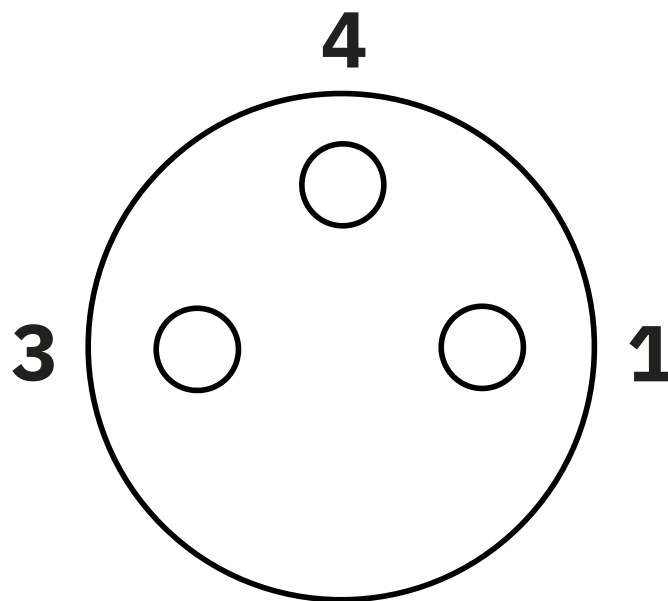
SACC-E-M 8FS-3CON-M8/2,0 - Device connector front mounting

1081551

<https://www.phoenixcontact.com/us/products/1081551>

Drawings

Schematic diagram



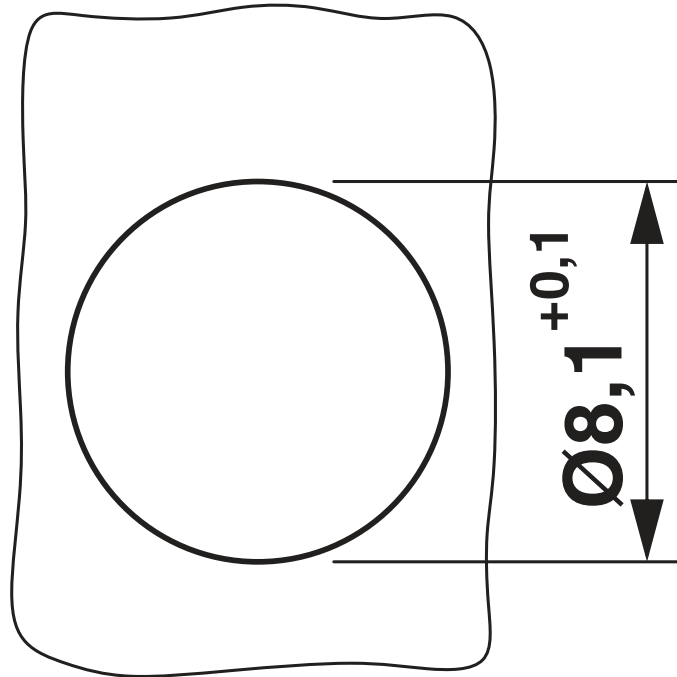
Pin assignment M8 socket, 3-pos., view female side

SACC-E-M 8FS-3CON-M8/2,0 - Device connector front mounting

1081551

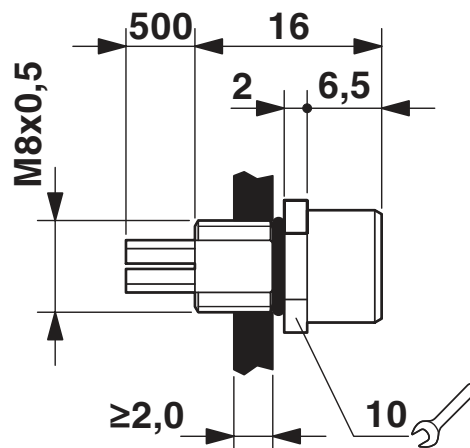
<https://www.phoenixcontact.com/us/products/1081551>

Dimensional drawing



Housing bore holes

Dimensional drawing



Dimensional drawing

SACC-E-M 8FS-3CON-M8/2,0 - Device connector front mounting



1081551

<https://www.phoenixcontact.com/us/products/1081551>

Approvals

🔗 To download certificates, visit the product detail page: <https://www.phoenixcontact.com/us/products/1081551>



EAC

Approval ID: B.01687

SACC-E-M 8FS-3CON-M8/2,0 - Device connector front mounting



1081551

<https://www.phoenixcontact.com/us/products/1081551>

Classifications

ECLASS

ECLASS-11.0	27440102
ECLASS-12.0	27440116
ECLASS-13.0	27440116

ETIM

ETIM 8.0	EC002635
----------	----------

UNSPSC

UNSPSC 21.0	39121400
-------------	----------

SACC-E-M 8FS-3CON-M8/2,0 - Device connector front mounting



1081551

<https://www.phoenixcontact.com/us/products/1081551>

Environmental product compliance

REACH SVHC

Lead 7439-92-1

SACC-E-M 8FS-3CON-M8/2,0 - Device connector front mounting



1081551

<https://www.phoenixcontact.com/us/products/1081551>

Accessories

SACC-E-MU-M8X0,5 - Flat nut

1504071

<https://www.phoenixcontact.com/us/products/1504071>

Flat nut, Screw mounting, M8 x 0.5, Item is lead-free in accordance with RoHS II without Exemption 6c (Pb <0.1%)



Phoenix Contact 2023 © - all rights reserved
<https://www.phoenixcontact.com>

Phoenix Contact USA
586 Fulling Mill Road
Middletown, PA 17057, United States
(+717) 944-1300
info@phoenixcon.com