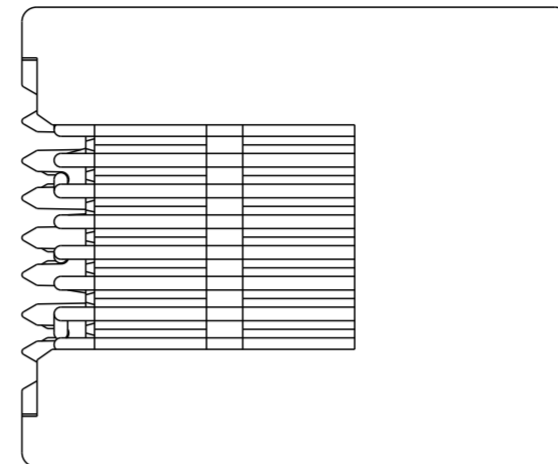
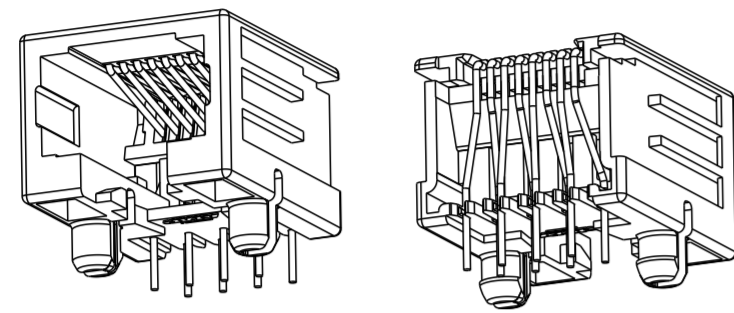


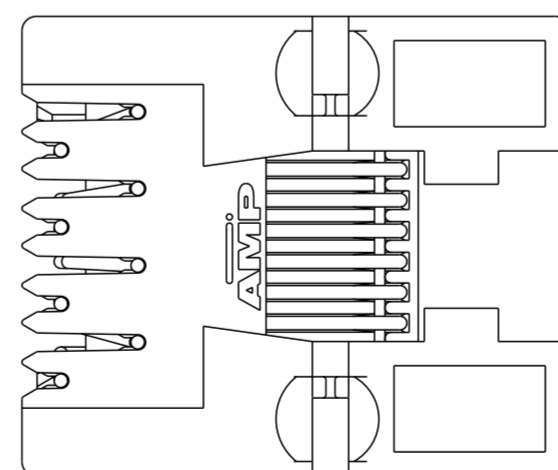
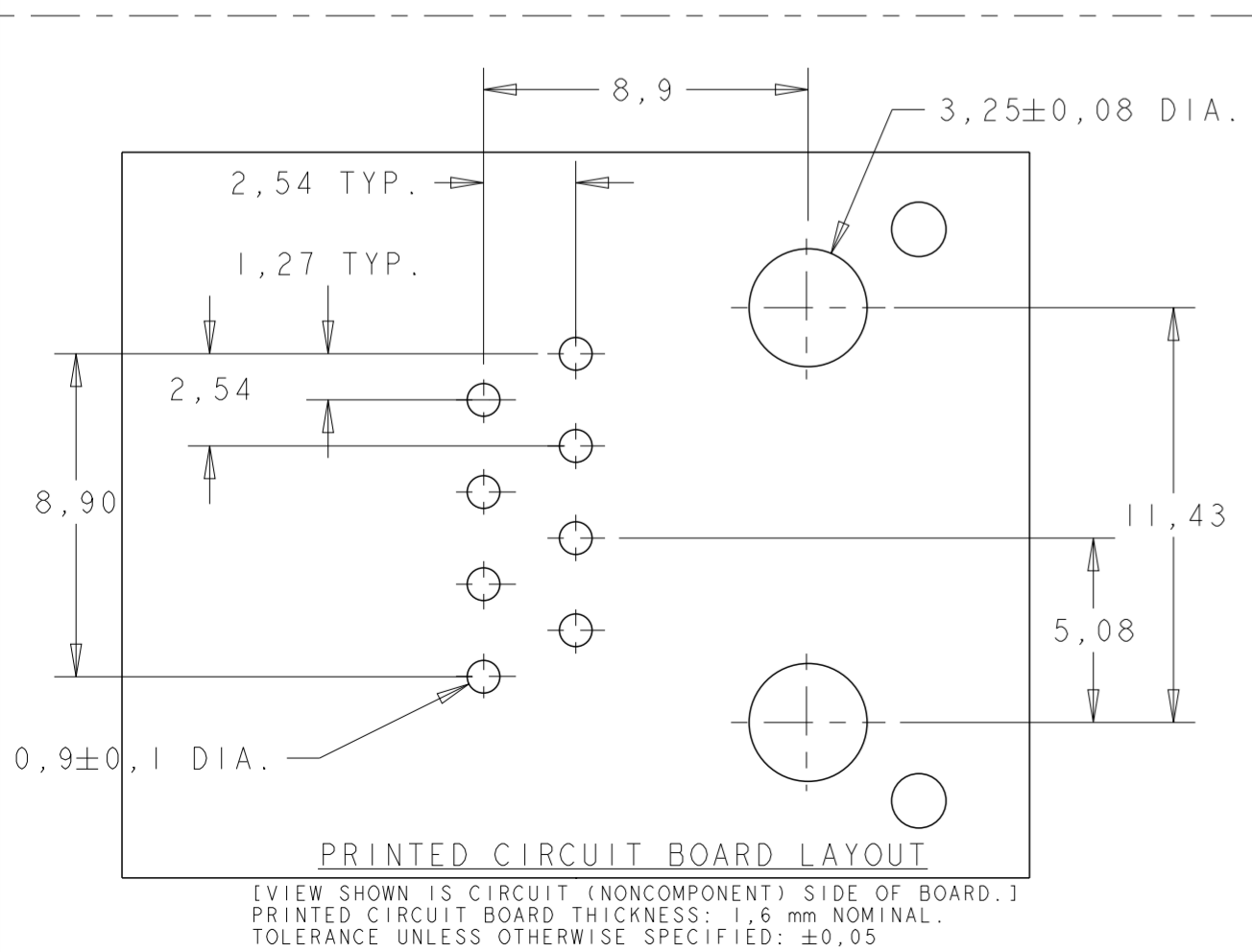
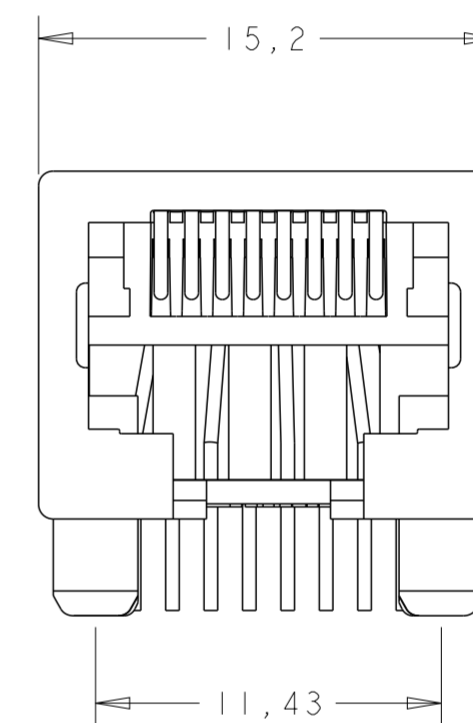
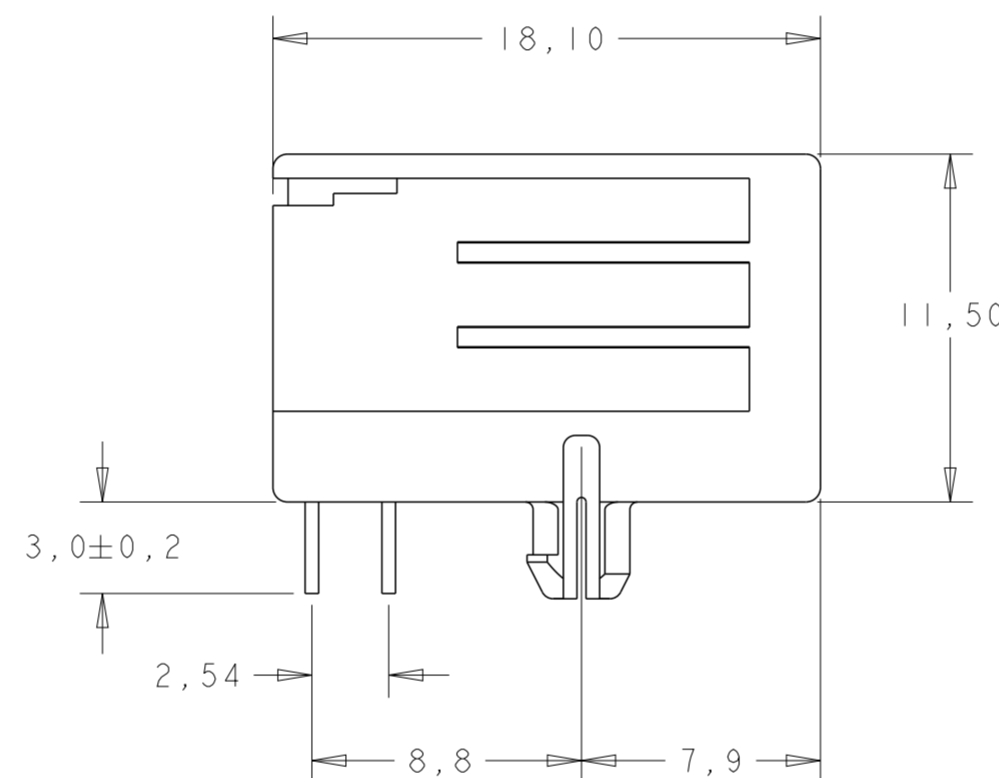
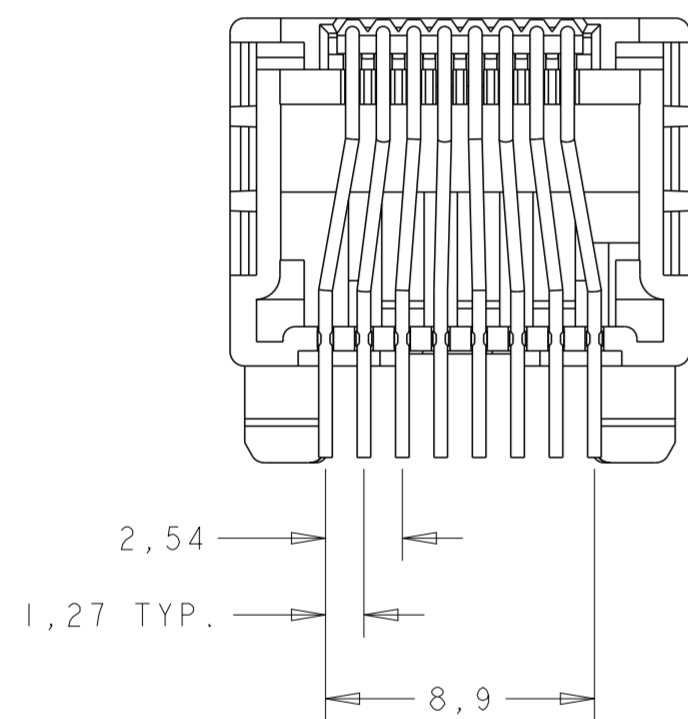
THIS DRAWING IS UNPUBLISHED. RELEASED FOR PUBLICATION  
 © COPYRIGHT - ALL RIGHTS RESERVED.

LOC	DIST	REVISIONS					
		P	LTR	DESCRIPTION	DATE	DWN	APVD
IR	-	AF		ECR-10-020218	21JUN2011	PS	RRP
		AF1		REVISED PER ECO-12-008315	12MAY2015	AD	SH
		AF2		ECR-21-115074	03JAN2022	RR	SZ
		AF3		REVISED PER ECN-22-178770	15OCT2022	AK	SZ



NOTES:

- 1 TOLERANCE UNLESS OTHERWISE SPECIFIED:  $\pm 0,15$ .
- 2 FOR THIS PACKAGING METHOD THE TRUE POSITION OF THE SOLDER TINES IS NOT GUARANTEED.
- 3 SUPERSEDED BY 1-215877-3



PACKAGING	REMARKS	FINISH	MATERIAL	ORDER NUMBER
1000 PIECES BULK PACKAGED			HOUSING COLOR: BLUE RAL 5017	4-215877-1
TRAY PACKAGED 1260 PCS/ SHIPPING BOX			HOUSING COLOR: GREY	3-215877-1
<del>1000 PIECES BULK PACKAGED</del>				<del>2-215877-1</del>
200 PIECES IN A TRAY			HOUSING COLOR: BLACK PBT: UL 94V-0 CONTACT INSERT: PBT, UL 94V-0 CONTACTS: $\mu$ n BRONZE	1-215877-3
<del>90 PIECES IN MULTI-TUBE</del>				<del>1-215877-1</del>
TAPE MOUNTED 700 PCS./REEL				215877-1

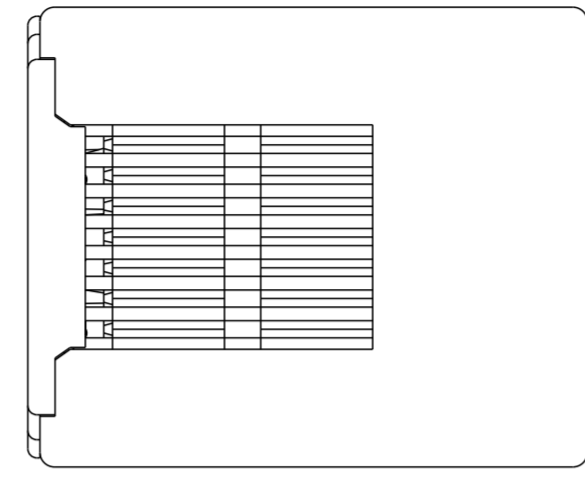
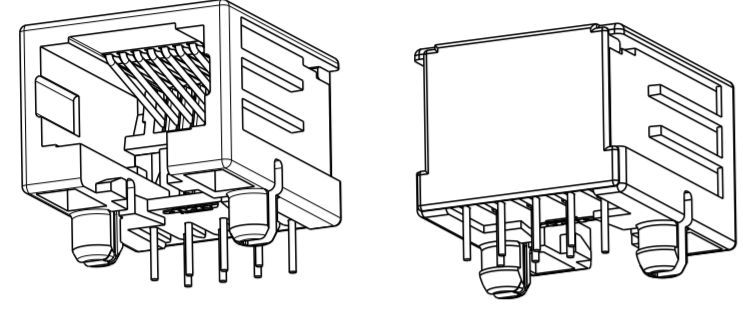
THIS DRAWING IS A CONTROLLED DOCUMENT.

DWN	E.v.Eijk	 TE Connectivity	NAME	
CHK	M.v.Essen		MODULAR JACK, 8 POS SIDE ENTRY FOR PRINTED CIRCUIT BOARD	
APVD	R.Smeets		SIZE	A2
PRODUCT SPEC	108-19064		CAGE CODE	C-215877
APPLICATION SPEC	114-19019	DRAWING NO		RESTRICTED TO
MATERIAL		WEIGHT		
		CUSTOMER DRAWING	SCALE 4:1	SHEET 1 OF 2

REVISIONS: AF3

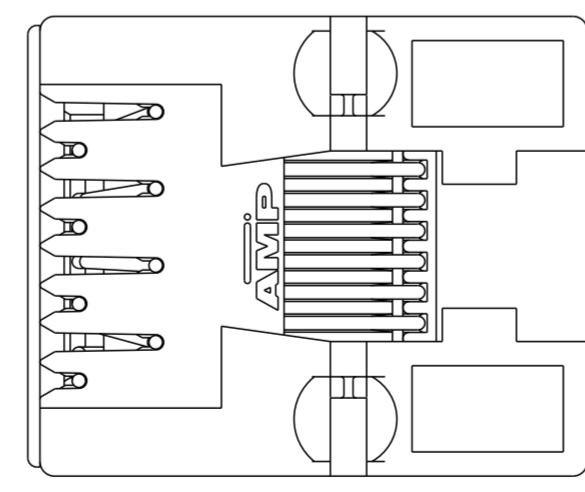
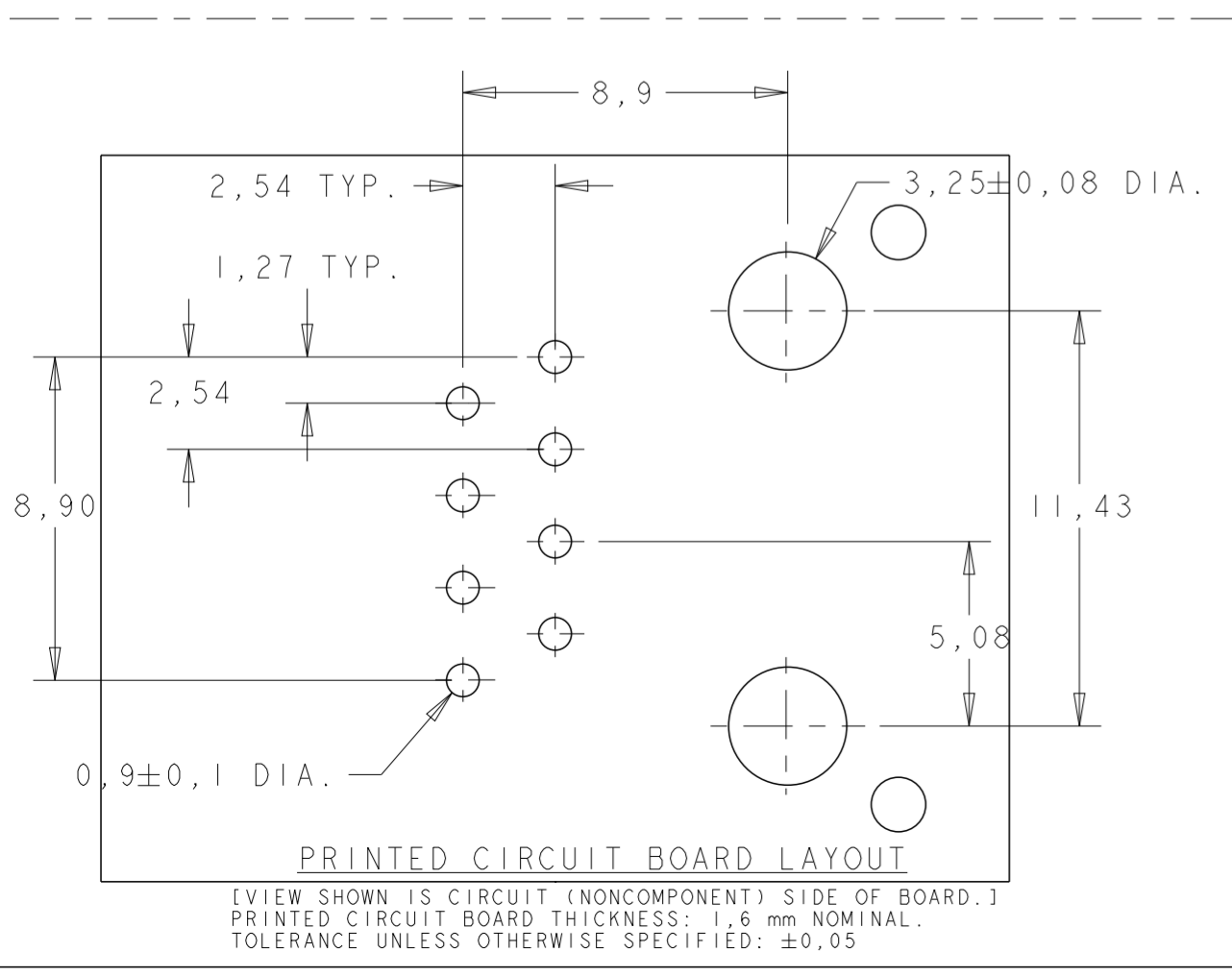
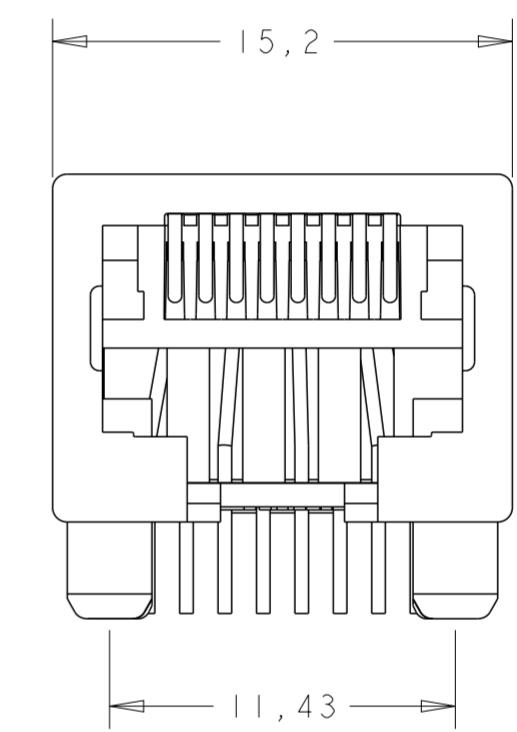
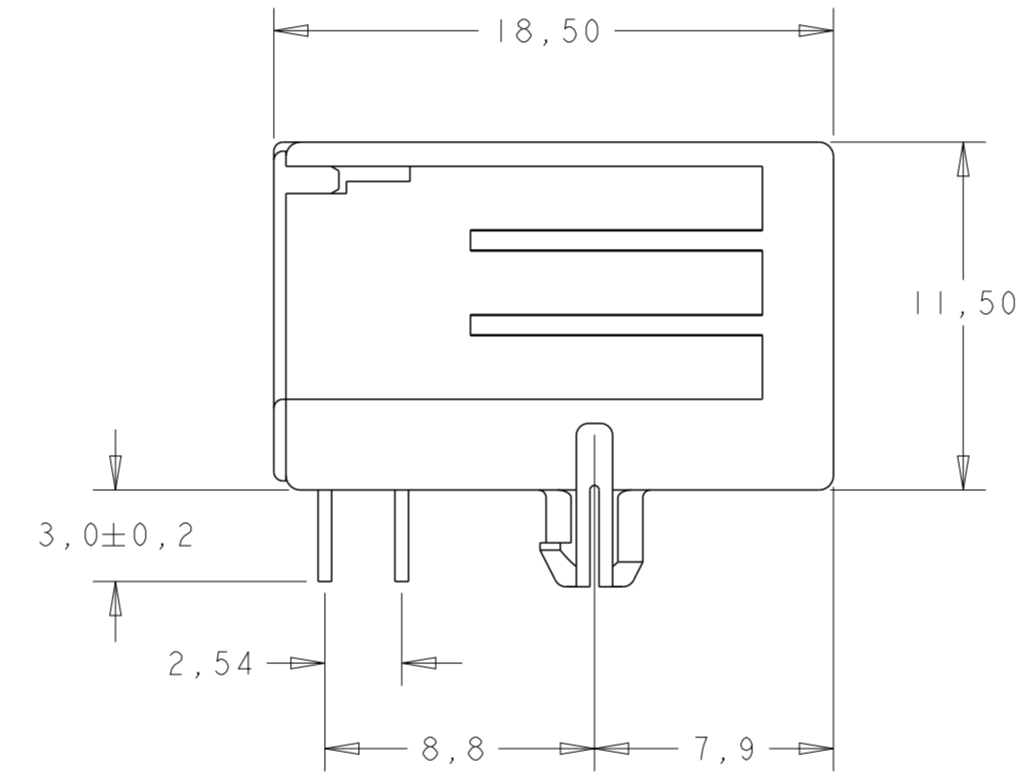
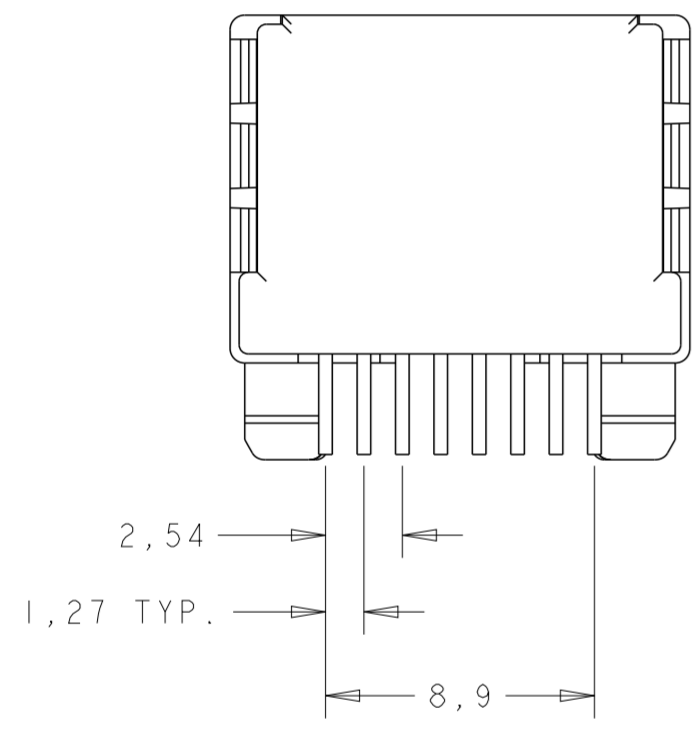
THIS DRAWING IS UNPUBLISHED. RELEASED FOR PUBLICATION  
 © COPYRIGHT - ALL RIGHTS RESERVED.

LOC	DIST	REVISIONS			
P	LTR	DESCRIPTION	DATE	DWN	APVD
IR	-	SEE SHEET 1	-	-	-



NOTES:

- 1 TOLERANCE UNLESS OTHERWISE SPECIFIED:  $\pm 0,15$ .
- 2 FOR THIS PACKAGING METHOD THE TRUE POSITION OF THE SOLDER TINES IS NOT GUARANTEED.



PACKAGING	REMARKS	FINISH	MATERIAL	ORDER NUMBER
1000 PIECES BULK PACKAGED				INACTIVE 5-215877-3 NOT TOOLED
200 PIECES IN A TRAY	8 POS. / 8 CONTACTS		IN CONTACT AREA: 1,2µm MIN. SEL. GOLD OVER 1,2µm MIN. NICKEL. SOLDER TINES: 2,5µm MIN. TIN OVER 1,2µm MIN. NICKEL.	HOUSING COLOR: BLACK PBT, UL 94V-0 CONTACT INSERT: PBT, UL 94V-0 CONTACT COVER: BLACK PBT, UL 94V-0 CONTACTS: PH BRONZE
TAPE MOUNTED 700 PCS./REEL				INACTIVE 5-215877-2 NOT TOOLED
				INACTIVE 5-215877-1 NOT TOOLED

THIS DRAWING IS A CONTROLLED DOCUMENT.

DWN: E.v.Fijk	CHK: M.v.Essen	APVD: R.Smeets	NAME: MODULAR JACK, 8 POS SIDE ENTRY FOR PRINTED CIRCUIT BOARD
DIMENSIONS: mm		TOLERANCES UNLESS OTHERWISE SPECIFIED:	SIZE: A2
0 PLC ±		1 PLC ±0,1	CAGE CODE: -
2 PLC ±0,05		3 PLC ±	DRAWING NO: C-215877
4 PLC ±		ANGLES ±	RESTRICTED TO: -
FINISH		FINISH	SCALE: 4:1
MATERIAL: -	PRODUCT SPEC: 108-19064	APPLICATION SPEC: 114-19019	SHEET 2 OF 2
	WEIGHT: -	CUSTOMER DRAWING	REV: AF3

STE TE Connectivity