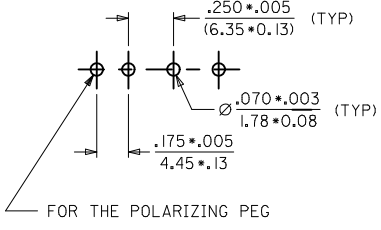
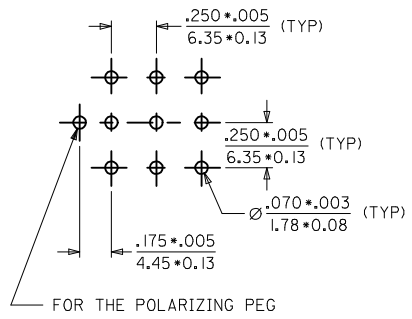


**P.C. BOARD  
MOUNTING DIMENSIONS**

**2 & 3 POSITION HEADER ASSEMBLIES**



**9 POSITION HEADER ASSEMBLY**



**NOTES:**

- MATERIAL CODES:  
HOUSING:  
\*A = POLYESTER (PBT), UL94V-0, COLOR: NATURAL(WHITE)  
\*B = POLYESTER (PBT), UL94V-0, COLOR: BRICK RED  
\*C = NYLON (PA66), UL94V-2, COLOR: NATURAL(TRANSLUCENT)  
TERMINAL: PHOSPHOR BRONZE
- PLATING CODES: ES-88-P921  
140 Min(3.5M) MIN 240 Min(6M) MAX OVERALL TIN HOT-DIPPED
- TERMINAL LENGTH IS SUITABLE FOR .062/(1.57mm) THICK PC BOARD
- DIMENSIONS ARE FOR REFERENCE ONLY UNLESS INDICATED OTHERWISE
- HEADER ASSEMBLY HOUSING MATE WITH:  
PLUG HOUSINGS, .084/(2.13) DIA. SERIES 42021
- CONTACTS ARE ON .250/(6.35) GRID CENTERLINE SPACING

| PLATING SPEC CHANGED TO ES-88-P921<br>ELC NO: 12016-0114<br>CHKD: 2016/05/20<br>APPR: ISHWARG 2016/08/30<br>REV: B            | QUALITY SYMBOLS  | GENERAL TOLERANCES (UNLESS SPECIFIED)   | DIMENSION STYLE                                      | SCALE  | DESIGN UNITS | THIRD ANGLE PROJECTION  |              |              |                |         |         |                 |         |         |                |       |       |           |   |   |   |       |  |          |      |     |          |            |      |     |          |             |      |     |          |   |     |      |  |      |                        |
|---|--|---|--|--|--------------|---|--------------|--------------|----------------|---------|---------|-----------------|---------|---------|----------------|-------|-------|-----------|---|---|---|-------|--|----------|------|-----|----------|------------|------|-----|----------|-------------|------|-----|----------|---|-----|------|--|------|------------------------|
|   | $\nabla=0$<br>$\nabla=0$<br>$\nabla=0$   | <table border="1"> <tr> <th></th> <th>mm</th> <th>INCH</th> </tr> <tr> <td>4 PLACES ± ---</td> <td>± ---</td> <td>± ---</td> </tr> <tr> <td>3 PLACES ± ---</td> <td>± 0.010</td> <td>± 0.004</td> </tr> <tr> <td>2 PLACES ± 0.25</td> <td>± 0.014</td> <td>± 0.005</td> </tr> <tr> <td>1 PLACE ± 0.36</td> <td>± ---</td> <td>± ---</td> </tr> <tr> <td>0 PLACE ±</td> <td>±</td> <td>±</td> </tr> </table> |  | mm   | INCH         | 4 PLACES ± ---  | ± ---        | ± ---        | 3 PLACES ± --- | ± 0.010 | ± 0.004 | 2 PLACES ± 0.25 | ± 0.014 | ± 0.005 | 1 PLACE ± 0.36 | ± --- | ± --- | 0 PLACE ± | ± | ± | <table border="1"> <tr> <th colspan="2">IN/MM</th> </tr> <tr> <td>DRAWN BY</td> <td>DATE</td> </tr> <tr> <td>S.S</td> <td>01/09/28</td> </tr> <tr> <td>CHECKED BY</td> <td>DATE</td> </tr> <tr> <td>G.L</td> <td>01/09/28</td> </tr> <tr> <td>APPROVED BY</td> <td>DATE</td> </tr> <tr> <td>G.L</td> <td>01/09/28</td> </tr> </table> | IN/MM |  | DRAWN BY | DATE | S.S | 01/09/28 | CHECKED BY | DATE | G.L | 01/09/28 | APPROVED BY | DATE | G.L | 01/09/28 | <table border="1"> <tr> <td>NTS</td> <td>INCH</td> </tr> </table> | NTS | INCH | <table border="1"> <tr> <td>INCH</td> <td>THIRD ANGLE PROJECTION</td> </tr> </table> | INCH | THIRD ANGLE PROJECTION |
|   |  | mm  | INCH   |  |              |   |              |              |                |         |         |                 |         |         |                |       |       |           |   |   |   |       |  |          |      |     |          |            |      |     |          |             |      |     |          |   |     |      |  |      |                        |
|   | 4 PLACES ± ---   | ± ---   | ± ---  |  |              |   |              |              |                |         |         |                 |         |         |                |       |       |           |   |   |   |       |  |          |      |     |          |            |      |     |          |             |      |     |          |   |     |      |  |      |                        |
| 3 PLACES ± ---  | ± 0.010  | ± 0.004   |  |  |              |   |              |              |                |         |         |                 |         |         |                |       |       |           |   |   |   |       |  |          |      |     |          |            |      |     |          |             |      |     |          |   |     |      |  |      |                        |
| 2 PLACES ± 0.25   | ± 0.014  | ± 0.005   |  |  |              |   |              |              |                |         |         |                 |         |         |                |       |       |           |   |   |   |       |  |          |      |     |          |            |      |     |          |             |      |     |          |   |     |      |  |      |                        |
| 1 PLACE ± 0.36  | ± ---  | ± ---   |  |  |              |   |              |              |                |         |         |                 |         |         |                |       |       |           |   |   |   |       |  |          |      |     |          |            |      |     |          |             |      |     |          |   |     |      |  |      |                        |
| 0 PLACE ±   | ±  | ±   |  |  |              |   |              |              |                |         |         |                 |         |         |                |       |       |           |   |   |   |       |  |          |      |     |          |            |      |     |          |             |      |     |          |   |     |      |  |      |                        |
| IN/MM   |  |   |  |  |              |   |              |              |                |         |         |                 |         |         |                |       |       |           |   |   |   |       |  |          |      |     |          |            |      |     |          |             |      |     |          |   |     |      |  |      |                        |
| DRAWN BY  | DATE   |   |  |  |              |   |              |              |                |         |         |                 |         |         |                |       |       |           |   |   |   |       |  |          |      |     |          |            |      |     |          |             |      |     |          |   |     |      |  |      |                        |
| S.S   | 01/09/28   |   |  |  |              |   |              |              |                |         |         |                 |         |         |                |       |       |           |   |   |   |       |  |          |      |     |          |            |      |     |          |             |      |     |          |   |     |      |  |      |                        |
| CHECKED BY  | DATE   |   |  |  |              |   |              |              |                |         |         |                 |         |         |                |       |       |           |   |   |   |       |  |          |      |     |          |            |      |     |          |             |      |     |          |   |     |      |  |      |                        |
| G.L   | 01/09/28   |   |  |  |              |   |              |              |                |         |         |                 |         |         |                |       |       |           |   |   |   |       |  |          |      |     |          |            |      |     |          |             |      |     |          |   |     |      |  |      |                        |
| APPROVED BY   | DATE   |   |  |  |              |   |              |              |                |         |         |                 |         |         |                |       |       |           |   |   |   |       |  |          |      |     |          |            |      |     |          |             |      |     |          |   |     |      |  |      |                        |
| G.L   | 01/09/28   |   |  |  |              |   |              |              |                |         |         |                 |         |         |                |       |       |           |   |   |   |       |  |          |      |     |          |            |      |     |          |             |      |     |          |   |     |      |  |      |                        |
| NTS   | INCH   |   |  |  |              |   |              |              |                |         |         |                 |         |         |                |       |       |           |   |   |   |       |  |          |      |     |          |            |      |     |          |             |      |     |          |   |     |      |  |      |                        |
| INCH  | THIRD ANGLE PROJECTION   |   |  |  |              |   |              |              |                |         |         |                 |         |         |                |       |       |           |   |   |   |       |  |          |      |     |          |            |      |     |          |             |      |     |          |   |     |      |  |      |                        |
| DESCRIPTION   | <table border="1"> <tr> <td>ANGULAR ±1/2°</td> </tr> <tr> <td>DRAFT WHERE APPLICABLE MUST REMAIN WITHIN DIMENSIONS</td> </tr> </table> | ANGULAR ±1/2°   | DRAFT WHERE APPLICABLE MUST REMAIN WITHIN DIMENSIONS | <table border="1"> <tr> <td>TITLE</td> <td>HEADER HOUSING ASSEMBLY .084/(2.13) SERIES W/O COMPLIANT/POLARIZING PEG</td> </tr> <tr> <td>MATERIAL NO.</td> <td>SD-36563-001</td> </tr> <tr> <td>DOCUMENT NO.</td> <td></td> </tr> </table> | TITLE        | HEADER HOUSING ASSEMBLY .084/(2.13) SERIES W/O COMPLIANT/POLARIZING PEG   | MATERIAL NO. | SD-36563-001 | DOCUMENT NO.   |         |         |                 |         |         |                |       |       |           |   |   |   |       |  |          |      |     |          |            |      |     |          |             |      |     |          |   |     |      |  |      |                        |
| ANGULAR ±1/2°   |  |   |  |  |              |   |              |              |                |         |         |                 |         |         |                |       |       |           |   |   |   |       |  |          |      |     |          |            |      |     |          |             |      |     |          |   |     |      |  |      |                        |
| DRAFT WHERE APPLICABLE MUST REMAIN WITHIN DIMENSIONS  |  |   |  |  |              |   |              |              |                |         |         |                 |         |         |                |       |       |           |   |   |   |       |  |          |      |     |          |            |      |     |          |             |      |     |          |   |     |      |  |      |                        |
| TITLE   | HEADER HOUSING ASSEMBLY .084/(2.13) SERIES W/O COMPLIANT/POLARIZING PEG  |   |  |  |              |   |              |              |                |         |         |                 |         |         |                |       |       |           |   |   |   |       |  |          |      |     |          |            |      |     |          |             |      |     |          |   |     |      |  |      |                        |
| MATERIAL NO.  | SD-36563-001   |   |  |  |              |   |              |              |                |         |         |                 |         |         |                |       |       |           |   |   |   |       |  |          |      |     |          |            |      |     |          |             |      |     |          |   |     |      |  |      |                        |
| DOCUMENT NO.  |  |   |  |  |              |   |              |              |                |         |         |                 |         |         |                |       |       |           |   |   |   |       |  |          |      |     |          |            |      |     |          |             |      |     |          |   |     |      |  |      |                        |
| SEE CHART   | <table border="1"> <tr> <td>SHEET NO.</td> <td>1 OF 1</td> </tr> </table>  | SHEET NO.   | 1 OF 1   | <table border="1"> <tr> <td colspan="2">THIS DRAWING CONTAINS INFORMATION THAT IS PROPRIETARY TO MOLEX INCORPORATED AND SHOULD NOT BE USED WITHOUT WRITTEN PERMISSION</td> </tr> </table>  |              | THIS DRAWING CONTAINS INFORMATION THAT IS PROPRIETARY TO MOLEX INCORPORATED AND SHOULD NOT BE USED WITHOUT WRITTEN PERMISSION |              |              |                |         |         |                 |         |         |                |       |       |           |   |   |   |       |  |          |      |     |          |            |      |     |          |             |      |     |          |   |     |      |  |      |                        |
| SHEET NO.   | 1 OF 1   |   |  |  |              |   |              |              |                |         |         |                 |         |         |                |       |       |           |   |   |   |       |  |          |      |     |          |            |      |     |          |             |      |     |          |   |     |      |  |      |                        |
| THIS DRAWING CONTAINS INFORMATION THAT IS PROPRIETARY TO MOLEX INCORPORATED AND SHOULD NOT BE USED WITHOUT WRITTEN PERMISSION |  |   |  |  |              |   |              |              |                |         |         |                 |         |         |                |       |       |           |   |   |   |       |  |          |      |     |          |            |      |     |          |             |      |     |          |   |     |      |  |      |                        |

| ITEM NO.   | CIRCUIT SIZE | MATERIAL COLOR (SEE NOTE 1) |
|------------|--------------|-----------------------------|
| 36563-0001 | 2            | A                           |
| 36563-0002 |              | B                           |
| 36563-0003 |              | C                           |
| 36563-0004 | 3            | A                           |
| 36563-0005 |              | B                           |
| 36563-0006 |              | C                           |
| 36563-0007 | 4            | A                           |
| 36563-0008 |              | B                           |
| 36563-0009 |              | C                           |
| 36563-0010 | 6            | A                           |
| 36563-0011 |              | B                           |
| 36563-0012 |              | C                           |
| 36563-0013 | 9            | A                           |
| 36563-0014 |              | B                           |
| 36563-0015 |              | C                           |
| 36563-0016 | 12           | A                           |
| 36563-0017 |              | B                           |
| 36563-0018 |              | C                           |
| 36563-0019 | 15           | A                           |
| 36563-0020 |              | B                           |
| 36563-0021 |              | C                           |

|  |                                      |                                       |             |   |          |              |   |                        |      |
|--|--------------------------------------|---------------------------------------|-------------|---|----------|--------------|---|------------------------|------|
| PLATING SPEC CHANGED TO ES-664921 EC NO: 12016-0114<br>DRAWN: SS06 2016/05/20<br>CHKD:<br>APPR: ISHWARG 2016/08/30 | QUALITY SYMBOLS<br>▽=0<br>▽=0<br>▽=0 | GENERAL TOLERANCES (UNLESS SPECIFIED) |             | DIMENSION STYLE   |          | SCALE        | DESIGN UNITS  | THIRD ANGLE PROJECTION |      |
|  |                                      |                                       | mm          | INCH  | IN/MM    |              | NTS   |                        | INCH |
|  |                                      | 4 PLACES                              | ± ---       | ± ---   | DRAWN BY | DATE         | TITLE   |                        |      |
|  |                                      | 3 PLACES                              | ± ---       | ± 0.010   | S.S      | 01/09/28     | HEADER HOUSING ASSEMBLY .084/(2.13) SERIES W/O COMPLIANT/POLARISING PEG |                        |      |
| 2 PLACES   | ± 0.25                               | ± 0.014                               | CHECKED BY  | DATE  |          |              |   |                        |      |
| 1 PLACE  | ± 0.36                               | ± ---                                 | G.L         | 01/09/28  |          |              |   |                        |      |
| 0 PLACE  | ±                                    | ±                                     | APPROVED BY | DATE  |          |              |   |                        |      |
|  |                                      | ANGULAR ±1/2°                         |             | G.L   | 01/09/28 |              |   |                        |      |
| DRAFT WHERE APPLICABLE MUST REMAIN WITHIN DIMENSIONS   |                                      |                                       |             | MATERIAL NO.  |          | DOCUMENT NO. |   | SHEET NO.              |      |
|  |                                      |                                       |             | SEE CHART   |          | SD-36563-001 |   | 2 OF 2                 |      |
|  |                                      |                                       |             | THIS DRAWING CONTAINS INFORMATION THAT IS PROPRIETARY TO MOLEX INCORPORATED AND SHOULD NOT BE USED WITHOUT WRITTEN PERMISSION |          |              |   |                        |      |