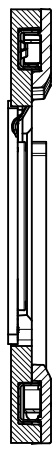
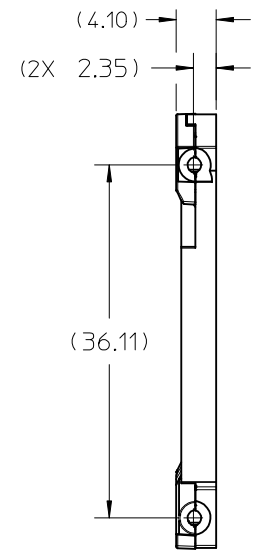
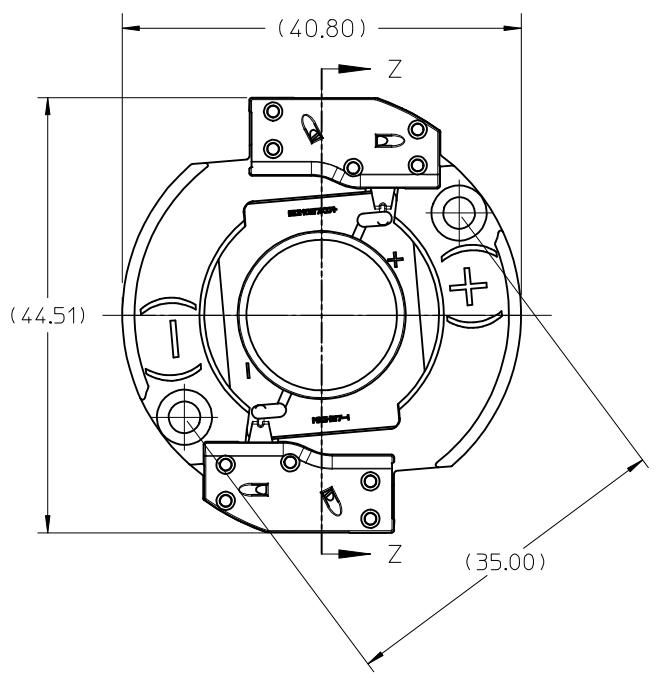


10	9	8	7	6	5	4	3	2	1
PART NUMBER	DESCRIPTION		MATERIAL	COLOR	AGENCY APPROVAL				
180330-0002	LED HOLDER ASSEMBLY - NYLON		POLYAMIDE, GLASS FILLED	NATURAL	UL496 FILE# 345583				
180330-0102	LED HOLDER ASSEMBLY - PBT		POLYESTER, GLASS FILLED	WHITE	-				



SECTION Z-Z

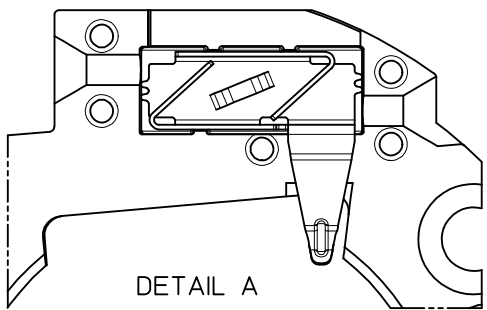
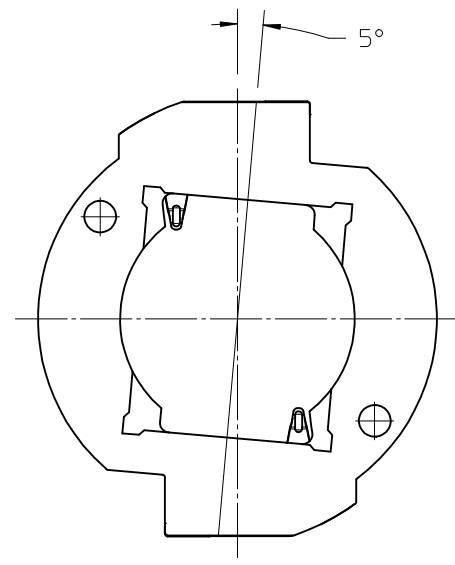
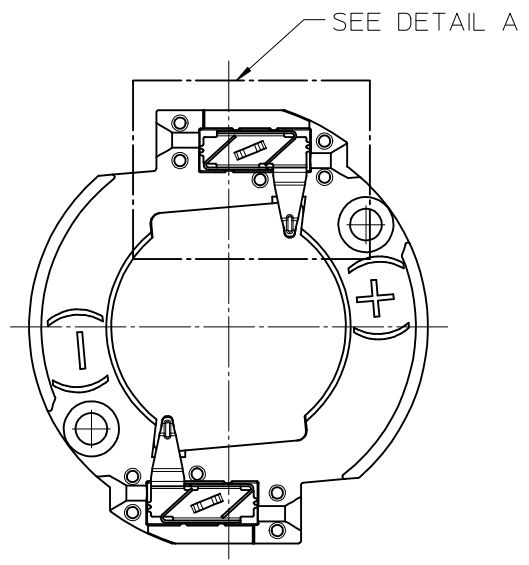


- NOTES:
- MATERIALS: HOUSING AND CAP: SEE CHART
TERMINAL: COPPER ALLOY;
 - FINISHES: LED CONTACT: GOLD OVER
NICKEL, WIRE TRAP: TIN OVER NICKEL
 - PRODUCT SPECIFICATION: PS-180330-002
 - PACKGING SPECIFICATION PK-180336-101
 - APPLICATION SPECIFICATION: AS-180328-001
 - APPLICABLE WIRE GAUGE - 18, 20, AND 22 AWG
 - TINNED SOLID WIRE IS PREFERRED
 - FOR STRANDED WIRE, PRE-TINNED IS RECOMMENDED
 - 10 mm +2/-0 mm STRIP LENGTH IS RECOMMENDED
 - MOUNT HOLDER USING M3 OR 4-40 SCREWS (2), SEE SHEET 3 FOR TORQUE SPECIFICATION.
 - THIS PRODUCT IS ELV AND ROHS COMPLIANT
 - ALL DIMENSIONS IN PARENTHESIS (XX.XX) ARE FOR REFERENCE ONLY

ENTER DESCRIPTION EC NO: SSL2017-0012 DRWNL:ZAB.JANOVSKI 2016/08/16 CHKD: APPR:GMEYER 2016/09/21 E2	QUALITY SYMBOLS $\nabla F=0$ $\nabla F=0$ $\nabla F=0$	GENERAL TOLERANCES (UNLESS SPECIFIED) <table border="1"> <thead> <tr> <th></th> <th>mm</th> <th>INCH</th> </tr> </thead> <tbody> <tr> <td>4 PLACES</td> <td>± ---</td> <td>± ---</td> </tr> <tr> <td>3 PLACES</td> <td>± ---</td> <td>± ---</td> </tr> <tr> <td>2 PLACES</td> <td>± 0.13</td> <td>± ---</td> </tr> <tr> <td>1 PLACE</td> <td>± 0.25</td> <td>± ---</td> </tr> <tr> <td colspan="3">ANGULAR ±1/2°</td> </tr> </tbody> </table>		mm	INCH	4 PLACES	± ---	± ---	3 PLACES	± ---	± ---	2 PLACES	± 0.13	± ---	1 PLACE	± 0.25	± ---	ANGULAR ±1/2°			DIMENSION STYLE MM ONLY DRAWN BY DATE MDEVITO 2012/02/03 CHECKED BY DATE MCOLE 2014/03/05 APPROVED BY DATE DMCGOWAN 2012/02/07 MATERIAL NO.	SCALE 2:1 DESIGN UNITS METRIC THIRD ANGLE PROJECTION	TITLE COB LED HOLDER 24.0MM X 20.0MM RECTANGULAR COB MOLEX INCORPORATED DOCUMENT NO. SD-180330-002 SHEET NO. 1 OF 3
		mm	INCH																				
	4 PLACES	± ---	± ---																				
	3 PLACES	± ---	± ---																				
2 PLACES	± 0.13	± ---																					
1 PLACE	± 0.25	± ---																					
ANGULAR ±1/2°																							
DRAFT WHERE APPLICABLE MUST REMAIN WITHIN DIMENSIONS		SEE CHART	THIS DRAWING CONTAINS INFORMATION THAT IS PROPRIETARY TO MOLEX INCORPORATED AND SHOULD NOT BE USED WITHOUT WRITTEN PERMISSION																				
		SIZE B																					

10 9 8 7 6 5 4 3 2 1

WIRE TRAP CAPS ARE REMOVED FROM FRONT VIEW FOR CLARITY



DETAIL A
Scale 4:1

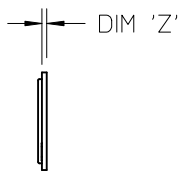
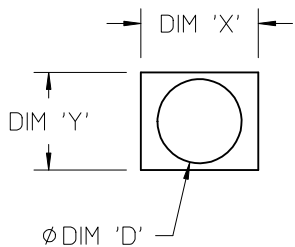
VIEW OF TWO-WAY WIRE TRAP

WIRE TRAPS WILL ACCOMMODATE
EITHER 18, 20, OR 22 GAUGE WIRE

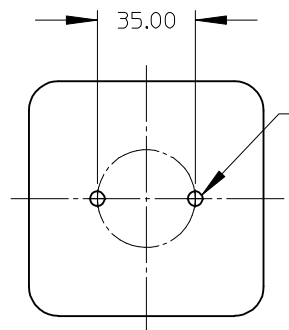
ENTER DESCRIPTION EC NO: SSL2017-0012 DRWNLZABJANOVSKI 2016/08/16 CHKD: APPR:GMEYER 2016/09/21 E2	QUALITY SYMBOLS $\nabla=0$ $\nabla=0$ $\nabla=0$	GENERAL TOLERANCES (UNLESS SPECIFIED) mm INCH 4 PLACES ± --- ± --- 3 PLACES ± --- ± --- 2 PLACES ± 0.13 ± --- 1 PLACE ± 0.25 ± --- ANGULAR ± 1/2°	DIMENSION STYLE MM ONLY DRAWN BY DATE MDEVITO 2012/02/03 CHECKED BY DATE MCOLE 2014/03/05 APPROVED BY DATE DMCGOWAN 2012/02/07 MATERIAL NO.	SCALE 2:1 DESIGN UNITS METRIC THIRD ANGLE PROJECTION	TITLE COB LED HOLDER 24.0MM X 20.0MM RECTANGULAR COB MOLEX INCORPORATED DOCUMENT NO. SD-180330-002	SHEET NO. 2 OF 3	
	DRAFT WHERE APPLICABLE MUST REMAIN WITHIN DIMENSIONS		SEE CHART	THIS DRAWING CONTAINS INFORMATION THAT IS PROPRIETARY TO MOLEX INCORPORATED AND SHOULD NOT BE USED WITHOUT WRITTEN PERMISSION			

9 8 7 6 5 4 3 2 1

10	9	8	7	6	5	4	3	2	1
COB MFG.	TYPE	DIM. 'X'	DIM. 'Y'	DIM. 'Z'	DIM. 'D'				
SHARP	MEGA ZENIGATA	24.0	20.0	1.0	17.2				
LUMILEDS	LUXEON 1204	24.0	20.0	1.0	15.5				
LUMILEDS	LUXEON 1205	24.0	20.0	1.0	15.5				
LUMILEDS	LUXEON 1208	24.0	20.0	1.0	17.5				
EVERLIGHT	EAHP2024W**	24.0	20.0	1.0	17.5				



COB LED
SCALE 1:1



M3 OR 4-40 TAPPED HOLES (2)
TORQUE: CERAMIC 0.2 N-M MIN TO 0.4 N-M MAX
ALUMINUM 0.4 N-M MIN TO 0.8 N-M MAX

RECOMMENDED MOUNTING DIMENSIONS (NTS)

ENTER DESCRIPTION EC NO: SSL2017-0012 DRWNL: ZAB.JANOVSKI 2016/08/16 CHKD: APPR: GMEYER 2016/09/21 E2	QUALITY SYMBOLS $\nabla = 0$ $\nabla = 0$ $\nabla = 0$	GENERAL TOLERANCES (UNLESS SPECIFIED) <table border="1"> <thead> <tr> <th></th> <th>mm</th> <th>INCH</th> </tr> </thead> <tbody> <tr> <td>4 PLACES</td> <td>± ---</td> <td>± ---</td> </tr> <tr> <td>3 PLACES</td> <td>± ---</td> <td>± ---</td> </tr> <tr> <td>2 PLACES</td> <td>± 0.13</td> <td>± ---</td> </tr> <tr> <td>1 PLACE</td> <td>± 0.25</td> <td>± ---</td> </tr> <tr> <td>0 PLACE</td> <td>± ---</td> <td>± ---</td> </tr> </tbody> </table>		mm	INCH	4 PLACES	± ---	± ---	3 PLACES	± ---	± ---	2 PLACES	± 0.13	± ---	1 PLACE	± 0.25	± ---	0 PLACE	± ---	± ---	DIMENSION STYLE MM ONLY	SCALE 1:1	DESIGN UNITS METRIC	THIRD ANGLE PROJECTION
		mm	INCH																					
	4 PLACES	± ---	± ---																					
	3 PLACES	± ---	± ---																					
	2 PLACES	± 0.13	± ---																					
1 PLACE	± 0.25	± ---																						
0 PLACE	± ---	± ---																						
		ANGULAR ±1/2°	DRAWN BY MDEVITO DATE 2012/02/03	CHECKED BY MCOLE DATE 2014/03/05	TITLE COB LED HOLDER 24.0MM X 20.0MM RECTANGULAR COB																			
		DRAFT WHERE APPLICABLE MUST REMAIN WITHIN DIMENSIONS	MATERIAL NO. SEE CHART	APPROVED BY DMCGOWAN DATE 2012/02/07	DOCUMENT NO. SD-180330-002	SHEET NO. 3 OF 3																		
			SIZE B	THIS DRAWING CONTAINS INFORMATION THAT IS PROPRIETARY TO MOLEX INCORPORATED AND SHOULD NOT BE USED WITHOUT WRITTEN PERMISSION																				