

Connector - SACC-MINMS-5CON-PG16/2,5 - 1456239

Please be informed that the data shown in this PDF Document is generated from our Online Catalog. Please find the complete data in the user's documentation. Our General Terms of Use for Downloads are valid (<http://download.phoenixcontact.com>)



Sensor/actuator plug, plug, straight, 5-pos., 7-8", screw connection, metal knurl, cable gland Pg16

Product Features

- ✓ Safe use in the field, thanks to a high degree of protection
- ✓ Flexible: connectors for on-site assembly
- ✓ Screw connection: proven connection technology for a large selection of different conductors



Key commercial data

| | |
|--------------------------------------|-----------|
| Packing unit | 1 1 |
| Weight per Piece (excluding packing) | 22.22 GRM |
| Custom tariff number | 85366990 |
| Country of origin | Germany |

Technical data

Dimensions

| | |
|-------------------|-----------------|
| External diameter | 12 mm ... 14 mm |
|-------------------|-----------------|

Ambient conditions

| | |
|---------------------------------|----------------------------------|
| Ambient temperature (operation) | -25 °C ... 85 °C (Plug / socket) |
| Degree of protection | IP67 |

General

| | |
|-----------------------|--------------|
| Rated current at 40°C | 9 A |
| Rated voltage | 300 V |
| Number of positions | 5 |
| Contact resistance | ≤ 5 mΩ |
| Insulation resistance | ≥ 100 MΩ |
| Coding | A - standard |

Connector - SACC-MINMS-5CON-PG16/2,5 - 1456239

Technical data

General

| | |
|-----------------------------|--|
| Status display | No |
| Surge voltage category | II |
| Pollution degree | 3 |
| Connection method | Screw connection |
| Conductor cross section | 0.34 mm ² ... 2.5 mm ² |
| AWG conductor cross section | 22 ... 14 |
| Insertion/withdrawal cycles | ≥ 100 |
| Torque | 0.8 Nm (7/8" connectors) 0.4 Nm (Screw terminal blocks) 1 Nm ... 1.4 Nm (Pressure screw) |
| Tightening torque | Screw plug insert with sleeve housing as far it will go |
| Assembly instructions | The wires can be connected both with ferrules and without ferrules |

Material

| | |
|---|------------------------------|
| Inflammability class according to UL 94 | HB |
| Contact material | CuZn |
| Contact surface material | Au |
| Contact carrier material | PUR / PA66 |
| Material of grip body | PBT |
| Material, knurls | Zinc die-cast, nickel-plated |

Classifications

eCl@ss

| | |
|------------|----------|
| eCl@ss 4.0 | 27250313 |
| eCl@ss 4.1 | 27250313 |
| eCl@ss 5.0 | 27143423 |
| eCl@ss 5.1 | 27143423 |
| eCl@ss 6.0 | 27279221 |
| eCl@ss 7.0 | 27440104 |
| eCl@ss 8.0 | 27440104 |

ETIM

| | |
|----------|----------|
| ETIM 4.0 | EC002062 |
| ETIM 5.0 | EC002062 |

UNSPSC

| | |
|-------------|----------|
| UNSPSC 6.01 | 31251501 |
|-------------|----------|

Connector - SACC-MINMS-5CON-PG16/2,5 - 1456239

Classifications

UNSPSC

| | |
|---------------|----------|
| UNSPSC 7.0901 | 31251501 |
| UNSPSC 11 | 31251501 |
| UNSPSC 12.01 | 31251501 |
| UNSPSC 13.2 | 31251501 |

Approvals

Approvals

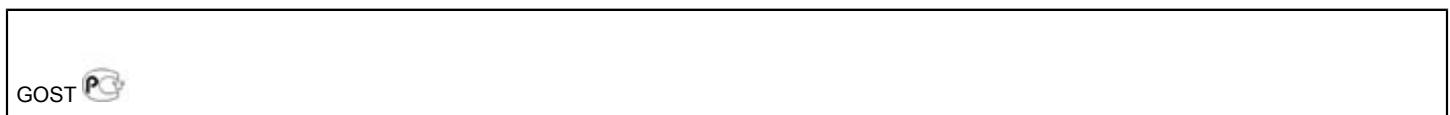
Approvals

GOST

Ex Approvals

Approvals submitted

Approval details



Accessories

Accessories

Protective cap

Sealing cap - PROT-MINFS-PA-CHAIN - 1430912

7/8" sealing cap made of plastic with fixing band, for sensor cables, for 7/8" connectors



Screwdriver tools

Connector - SACC-MINMS-5CON-PG16/2,5 - 1456239

Accessories

Adapter insert - TSD-M SAC-BIT ADAPTER - 1212600



Adapter bit for TSD-M...torque tools, E6.3-1/4" drive with 4 mm hexagon to accommodate SAC bits

Adapter - SAC BIT MIN-D25 - 1212512



SAC nut, for assembling 7/8" connectors, with 4 mm hexagonal drive

Torque tool

Torque screwdriver - TSD 08 SAC - 1212597



Torque screw driver with preset torque of 0.8 Nm, with 4 mm hexagon for accommodating SAC bits, two-component handle with non-slip grip

Torque screwdriver - TSD-M 1,2NM - 1212224

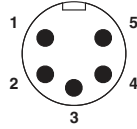


Torque screw driver, accuracy as per EN ISO 6789 standard, adjustable from 0.3 - 1.2 Nm

Drawings

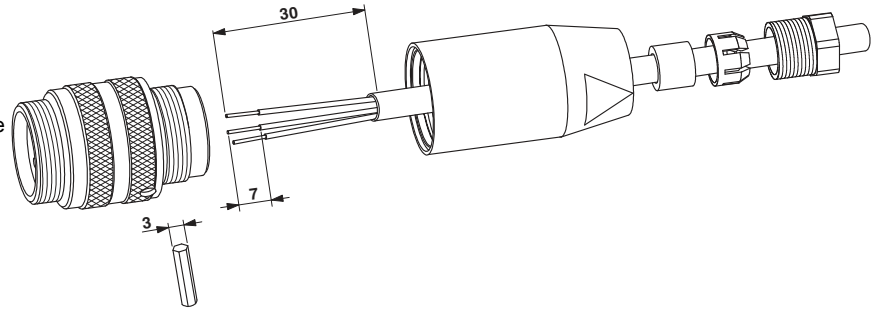
Connector - SACC-MINMS-5CON-PG16/2,5 - 1456239

Schematic diagram

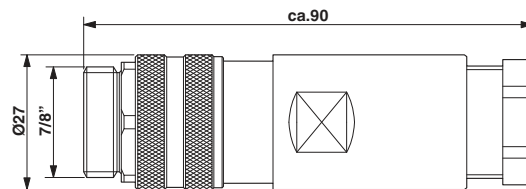


Pin assignment, plug, 7/8"-16UNF, 5-pos., view of male side

Functional drawing



Dimensioned drawing



7/8" connector, straight