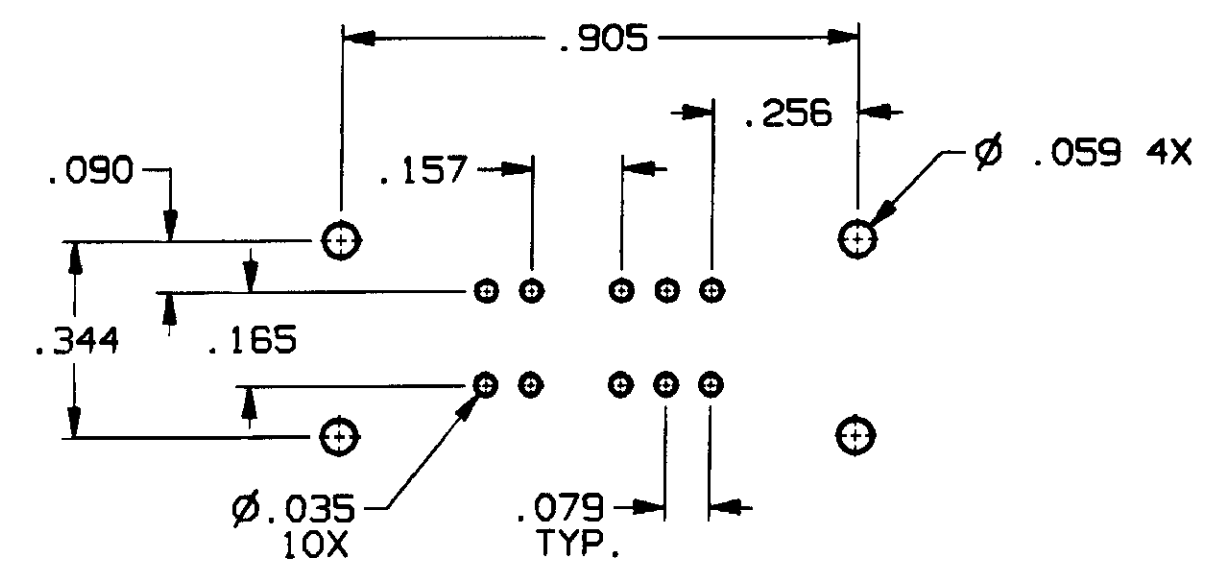
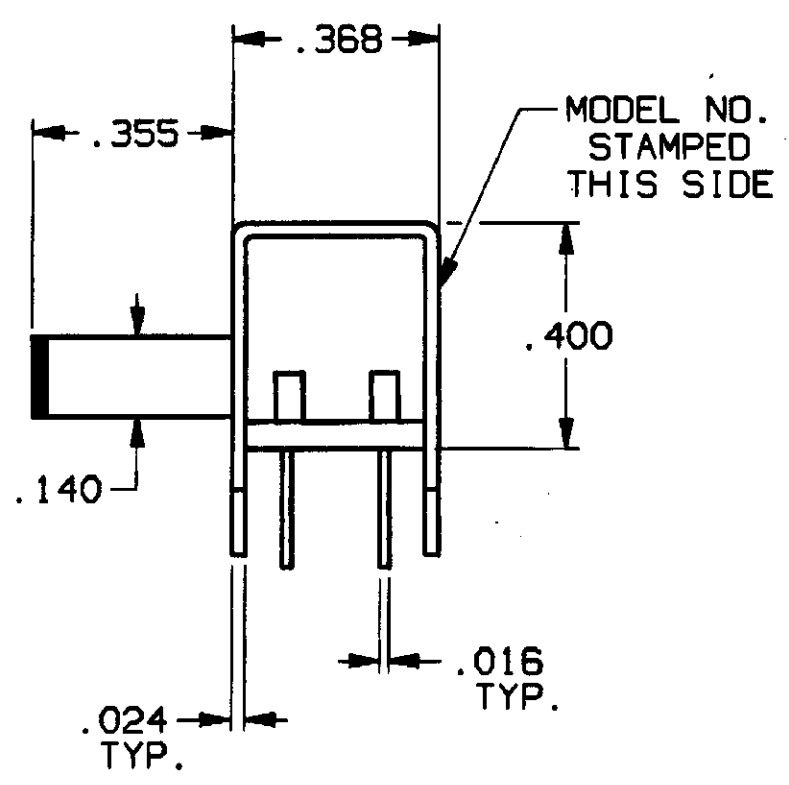
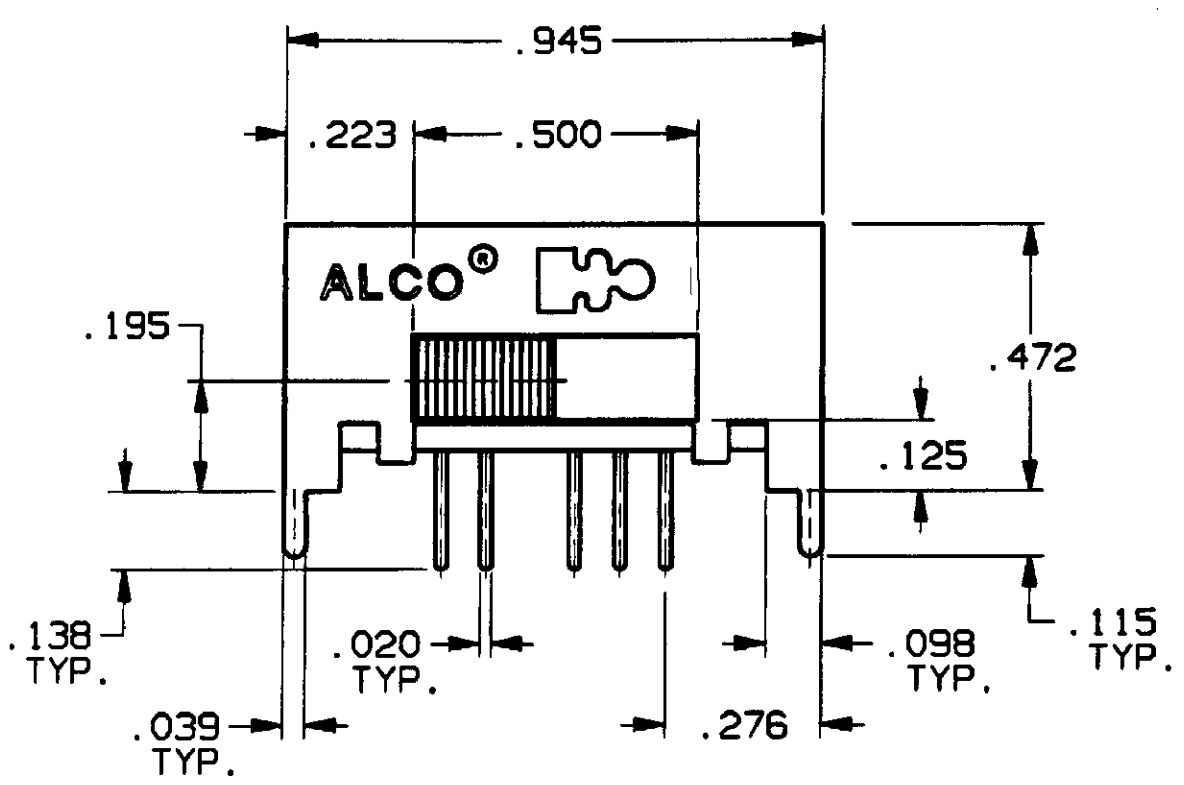
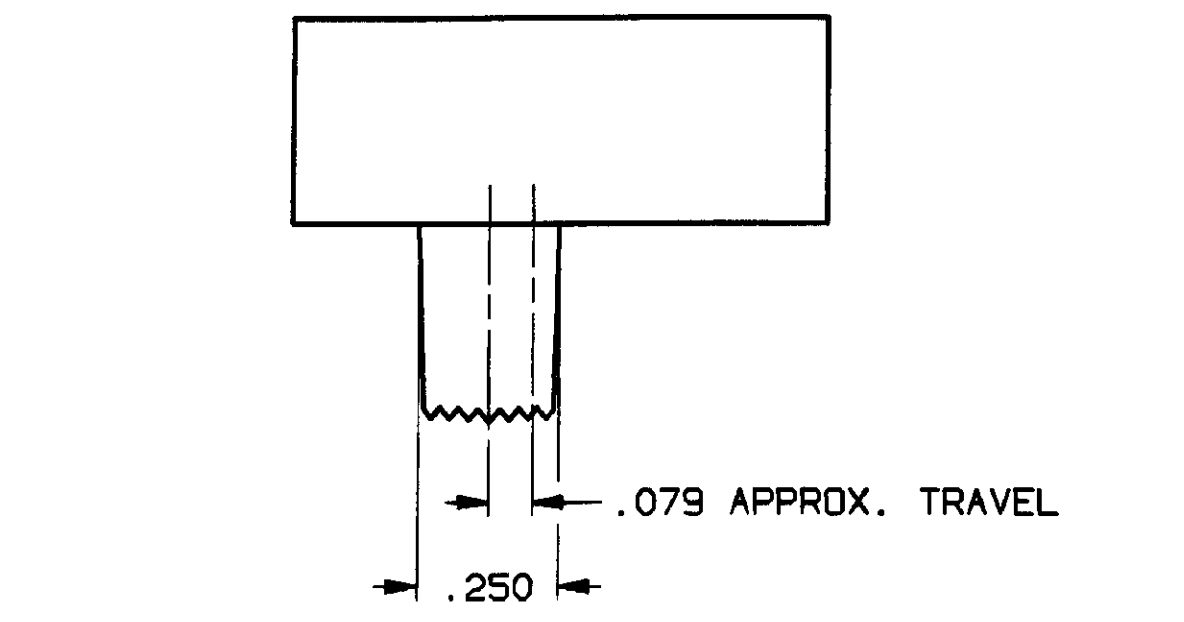


INCH	MM
.002	0.05
.010	0.25
.016	0.40
.020	0.50
.024	0.60
.035	0.88
.039	0.99
.059	1.49
.079	2.00
.090	2.28
.098	2.48
.110	2.79
.115	2.92
.125	3.17
.138	3.50
.140	3.98
.157	3.98
.165	4.19
.195	4.95
.250	6.35
.256	6.50
.276	7.01
.344	8.73
.355	9.01
.368	9.34
.400	10.16
.472	11.98
.500	12.70
.905	22.98
.945	24.03



PC HOLE LAYOUT (TOP VIEW)
RECOMMENDED TOLERANCES ±.002

SPECIFICATIONS:

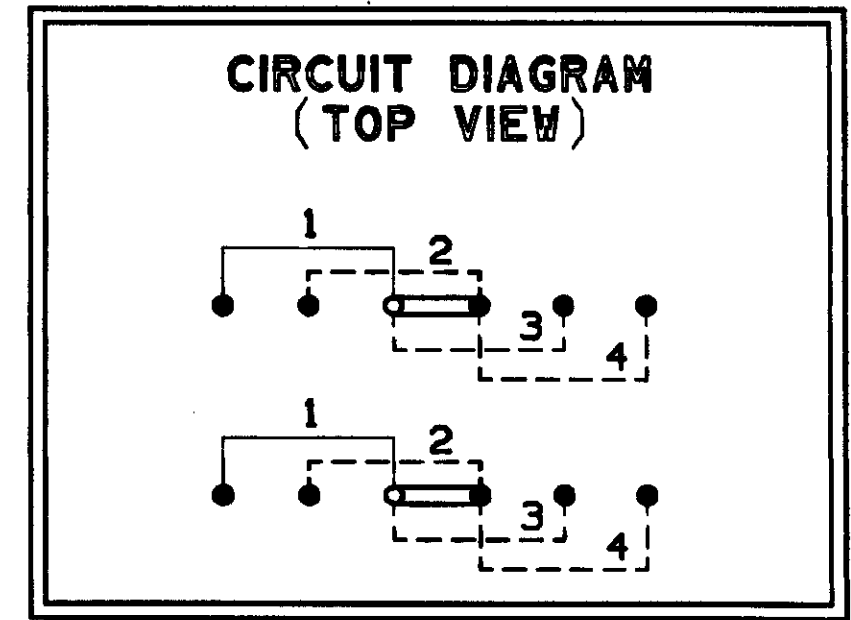
MATERIALS:
CASE: COLD ROLLED STEEL.
ACTUATOR: POLYESTER, UL94V-0.
TERMINALS: GOLD OR SILVER PLATE.
TERMINAL SEAL: EPOXY.
CONTACTS, MOVING: COPPER ALLOY, GOLD OR SILVER PLATE.
CONTACTS, FIXED: COPPER ALLOY, GOLD OR SILVER PLATE.

ELECTRICAL:
CONTACT RATING, SILVER: 300 MA • 125 VAC.
CONTACT RATING, GOLD: 0.4 VA MAX. • 20 VDC OR PEAK AC.
CONTACT TIMING: SHORTING.
INITIAL CONTACT RESISTANCE: 30 MILLIOHMS MAX.
INSULATION RESISTANCE: 1,000 MEGOHMS MIN.
DIELECTRIC STRENGTH: 500 VOLTS RMS • SEA LEVEL.
LIFE EXPECTANCY: 15,000 CYCLES.

MECHANICAL:
ACTUATION FORCE: 470 GRAMS, AVERAGE.
ACTUATOR TRAVEL: .079 IN.

ENVIRONMENTAL:
OPERATING TEMPERATURE: -4°F TO +185°F, (-20°C TO +85°C).
STORAGE TEMPERATURE: -40°F TO +212°F, (-40°C TO +100°C).

NOTES: UNLESS OTHERWISE SPECIFIED
1. INTERPRET DRAWING PER ANSI Y14.5M 1982.



MODEL NO.	PLATING
MSSA-2450R	SILVER
MSSA-2450RG	GOLD

CUSTOMER DRAWING			
SPECIFICATIONS ARE SUBJECT TO CHANGES WITHOUT NOTICE			
 THIRD ANGLE PROJECTION	UNLESS OTHERWISE SPECIFIED DIMENSIONS ARE IN MILLIMETERS. DO NOT SCALE PRINT	ORIGINAL DATE OF DRAWING: 9-19-96	TYCO ELECTRONICS TITLE: CUSTOMER DRAWING SLIDE SWITCH, DP 4 POS. (MSSA-2450R SERIES)
	TOLERANCES (EXCEPT AS NOTED) ANGULAR = ±1° DECIMAL .XXX = ±.010	MATERIAL: SEE SPECIFICATIONS	
AUGAT CONFIDENTIAL This document contains information which is the exclusive property of Augat Inc. Distribution, reproduction or use by others is not permitted without the expressed written consent of Augat Inc.	FINISH: SEE SPECIFICATIONS	CODE IDENT. NO. 91506 NEXT ASSY:	DWG. NO. 5-1437580-9 PRODUCT CODE: SCALE: SHEET 1 OF 1

AUGAT D/N 40115-SD	
THIS IS A C.A.D. GENERATED DRAWING. DO NOT MAKE MANUAL REVISIONS TO MASTER.	
TYCO ELECTRONICS TITLE: CUSTOMER DRAWING SLIDE SWITCH, DP 4 POS. (MSSA-2450R SERIES)	
DWG. NO. 5-1437580-9	REV. A
SCALE: SHEET 1 OF 1	

REV	A
REVISIONS	OG3C-0173-02