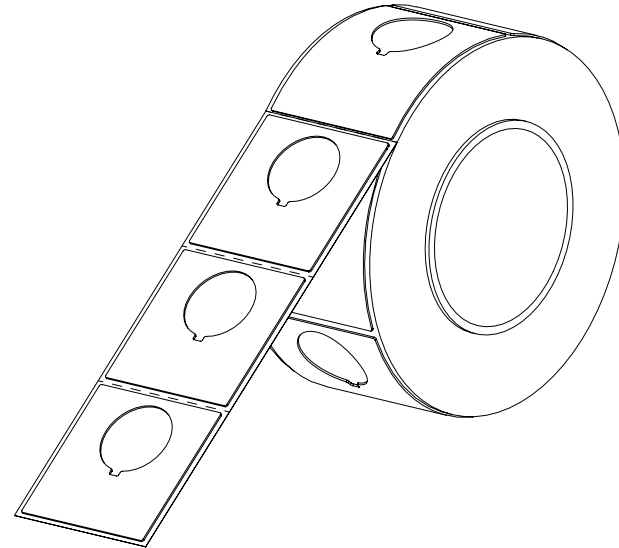
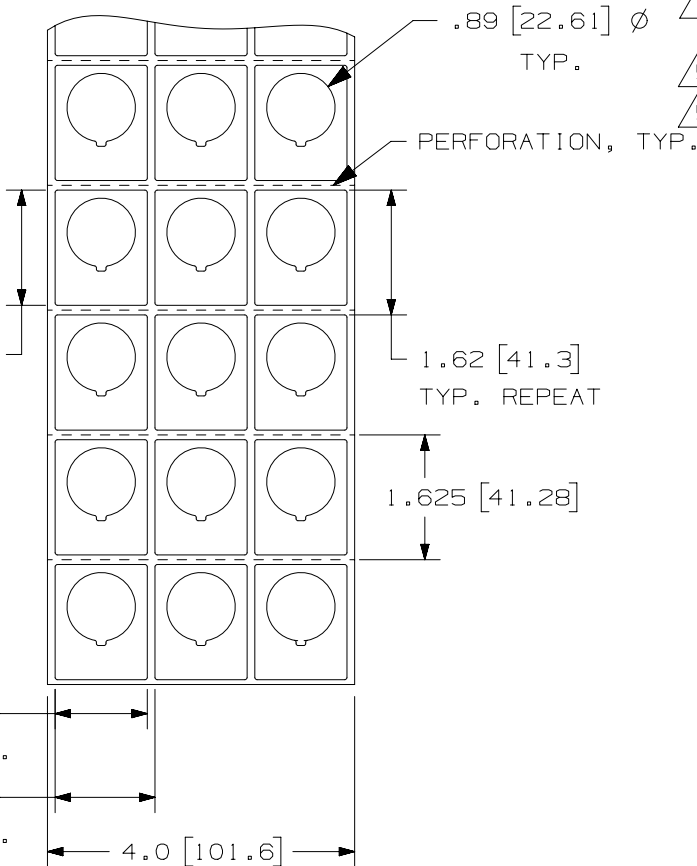


THIS COPY IS PROVIDED ON A RESTRICTED BASIS AND IS NOT TO BE USED IN ANY WAY DETRIMENTAL TO THE INTERESTS OF PANDUIT CORP.

NOTES:

1. DIMENSIONS IN [ ] ARE IN MILLIMETERS.

PANDUIT PART NO.	MATERIAL	FACE COLOR	PKG. QTY.	THICKNESS	PRODUCT TYPE
C120X150A0T-22	GMH3-A	BLACK	500	.030 +/- .010	POLYESTER/ FOAM COMPONENT LABEL
C120X150A8T-22		YELLOW			
C120X150APT-22	GMH3-W	WHITE			
C120X150AST-22	GMH3-A	GREEN			
C120X150AWT-22	GMH3-A	RED			



REV	DATE	BY	CHK	APR	DESCRIPTION	ECN
5	4/17/15	RVU	SEWH	JHAC	GMH3-A WAS GMH3.	GAECN00507
4	1/7/13	RVU	DAPE	SEWH	ADD material column and ISO view. UPDATE PART NUMBERS SEQUENCE LIST.	GAECN00507
3	5/3/10	RVU	DAPE		TOL. SHOULD BE .12, .062, NOT .1, .050.	6036
2	1/30/09	RVU	DAPE		REMOVE "REPEAT" FROM THE LABEL SIZE. ADD DIM. PERF. VERTICAL. REMOVE C120X150AMT-22.	5592
1	12/18/08	RVU	DAPE		VOID	
0	9/5/08	RVU	DAPE		DRAWING RELEASE.	5537

TITLE <b>RAISED PANEL PUSH BUTTON LABELS C120X150APT-22</b>		CUSTOMER DRAWING	
ITEM REVISION NAME 100491BL/07		<b>PANDUIT</b> ™	
DATASET FILE NAME 100491BL_DC_C10725/07G		MATERIAL: <b>SEE TABLE</b>	
UNLESS OTHERWISE SPECIFIED, DIMENSIONAL TOLERANCES ARE: IN (mm) .x ± .12 [ 3.05]    .xxx ± .025 [ .635 ] .xx ± .062 [ 1.57 ]    ANGLES ±		DRAWING NUMBER: C10725	
THIRD ANGLE PROJECTION	DRAWN BY: <b>RVU</b> DATE: <b>9/5/08</b> CHK: <b>MSAD</b> SCALE: <b>NTS</b>		
	SHT 1 OF 1		SIZE: <b>A</b>

D10100DA/12