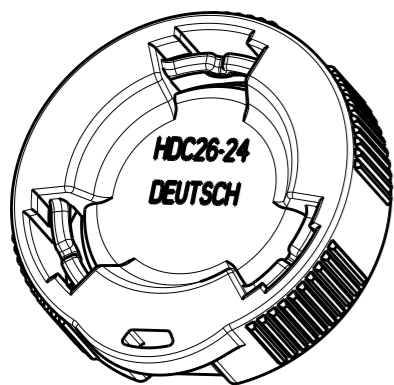
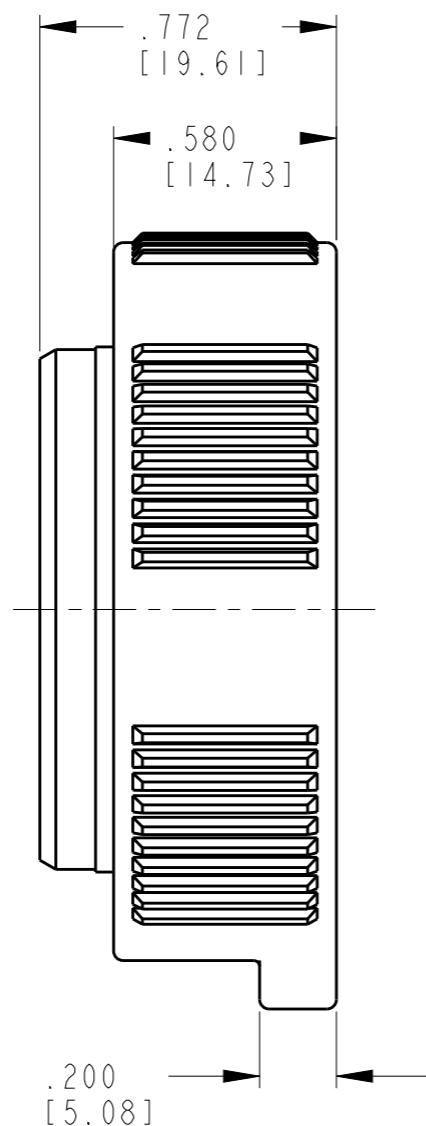


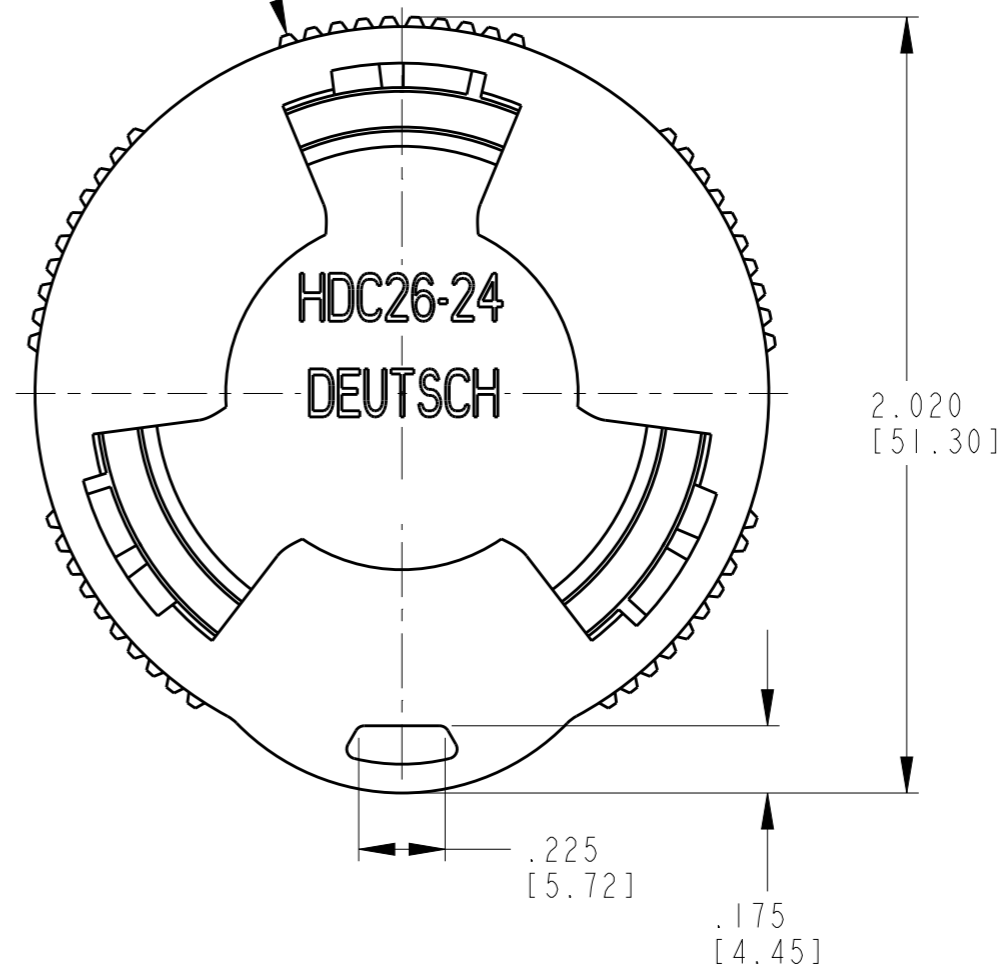
| REVISIONS | | | | | |
|-----------|-----|-----------------------------|-----------|-----|------|
| P | LTR | DESCRIPTION | DATE | DWN | APVD |
| | B1 | REVISED PER PCN E-17-008566 | 09JUN2017 | SS | DM |
| | | | | | |
| | | | | | |



3D VIEW



Ø1.960 [49.78]
OVER KNURL



| | |
|----------------|------------|
| TE INTERNAL PN | DEUTSCH PN |
| HDC26-24 | HDC26-24 |

2. THIS PROTECTIVE COVER IS USED ON HDP24-24-XXP/SX WHERE XX=PIN ARRANGEMENT, X=E,T OR N SEAL.

1. MATERIAL: PA66 10GF (BLACK)

NOTES:

| | | | | | |
|--|--|--|--|----------------------------|--|
| THIS DRAWING IS A CONTROLLED DOCUMENT. | | DWN 01 JUN 2011 I. GRANTCHAROVA | | | |
| DIMENSIONS: INCHES [mm] | | TOLERANCES UNLESS OTHERWISE SPECIFIED: | | | |
| | | 0 PLC ± | | NAME | |
| | | 1 PLC ± | | PROTECTIVE CAP FOR SIZE 24 | |
| | | 2 PLC ± | | RECEPTACLES HD SERIES | |
| | | 3 PLC ±.025 [0.63] | | - | |
| | | 4 PLC ± | | SIZE | |
| | | ANGLES ±0°30'0" | | A3 | |
| MATERIAL | | FINISH | | CAGE CODE | |
| - | | - | | 4AFU8 | |
| | | | | DRAWING NO | |
| - | | - | | C=HDC26-24 | |
| - | | - | | RESTRICTED TO | |
| - | | - | | - | |
| - | | - | | SCALE | |
| - | | - | | 1:1 | |
| - | | - | | SHEET | |
| - | | - | | 1 OF 1 | |
| - | | - | | REV | |
| - | | - | | B1 | |
| - | | - | | WEIGHT | |
| - | | - | | 16.7 g | |
| - | | - | | CUSTOMER DRAWING | |