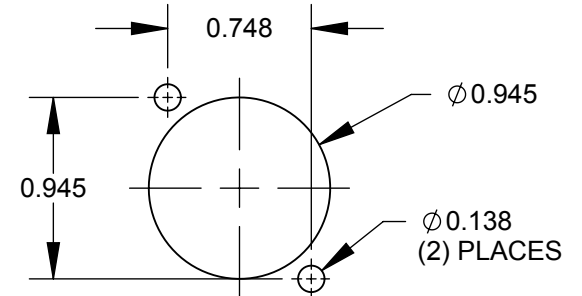
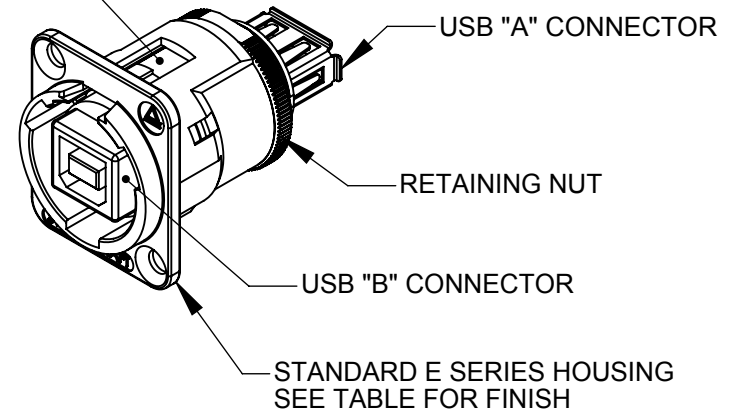


INSERT OVERMOLD



RECOMMENDED
PANEL CUT-OUT

CUSTOMER DRAWING

NOTES:

- MATERIALS:
 INSERT OVERMOLD - THERMOPLASTIC, BLACK
 RETAINING NUT - BRASS, NICKEL PLATED
 HOUSING - ZINC ALLOY
- THIS PRODUCT IS RoHS COMPLIANT.

PART NUMBER	HOUSING FINISH
EHUSBBAX	NICKEL
EHUSBBABX	BLACK CHROME

★ STAR SYMBOL DENOTES CRITICAL DIMENSION

UNLESS OTHERWISE SPECIFIED
 1. ALL DIMENSIONS IN INCHES
 - TWO PLACE DECIMALS ±0.01
 - THREE PLACE DECIMALS ±0.005
 - ANGLES ±1°

THIS DRAWING DESCRIBES A DESIGN CONSIDERED PROPRIETARY IN NATURE, DEVELOPED AND MANUFACTURED BY SWITCHCRAFT INC. AND IS RELEASED ON A CONFIDENTIAL BASIS FOR IDENTIFICATION PURPOSES ONLY.

						SIZE	WIDTH	MULT	LBS/M	TEMPER	
						FINISH			MATERIAL		
						SPEC No.			SPEC No.		
						FIRST USED ON		SCALE			
						DATE DRAWN	BY	CHKD	APVD		
						5/5/09	RS	RS	TJK		
									SHEET 1 OF 1		
						NAME E SERIES CONNECTOR, USB B FEMALE TO A FEMALE, RoHS				PART No.	REV
										EHUSBBA_X SERIES	A

DO NOT SCALE DRAWING

SolidWorks CAD File

