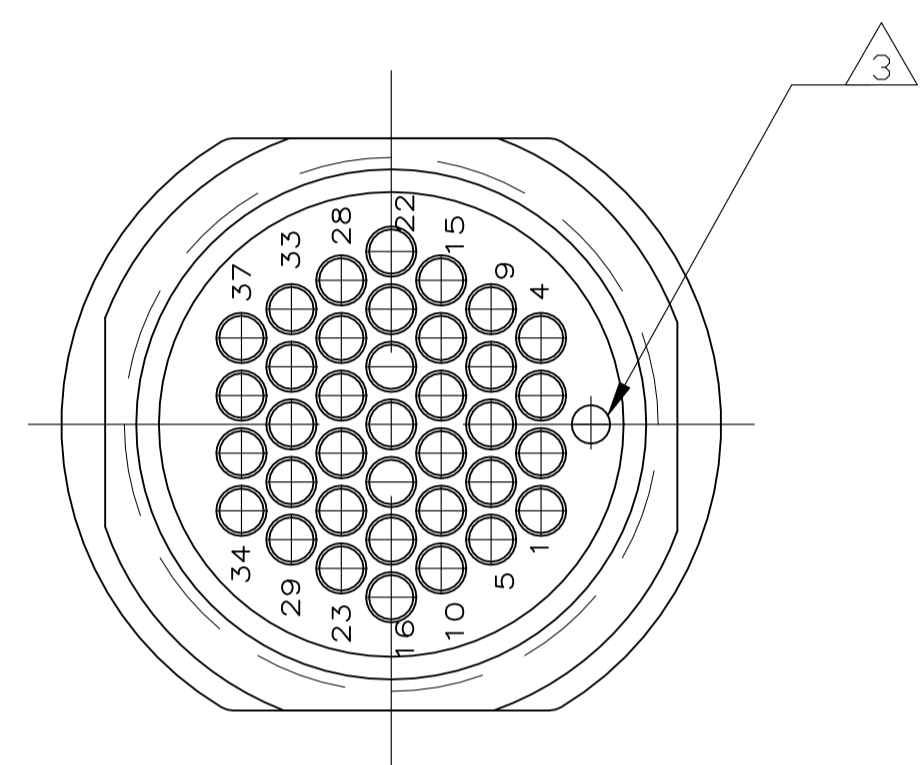
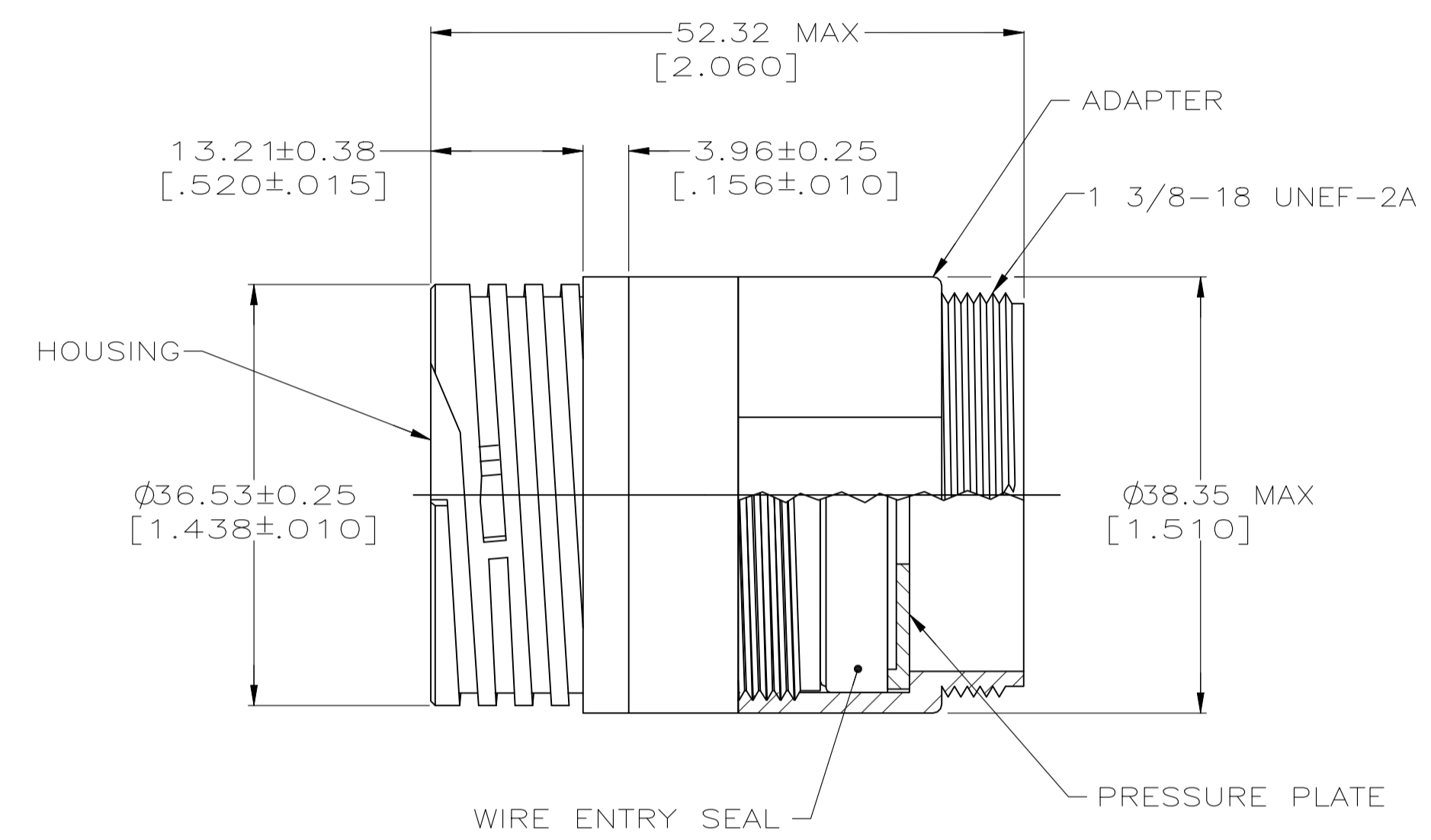
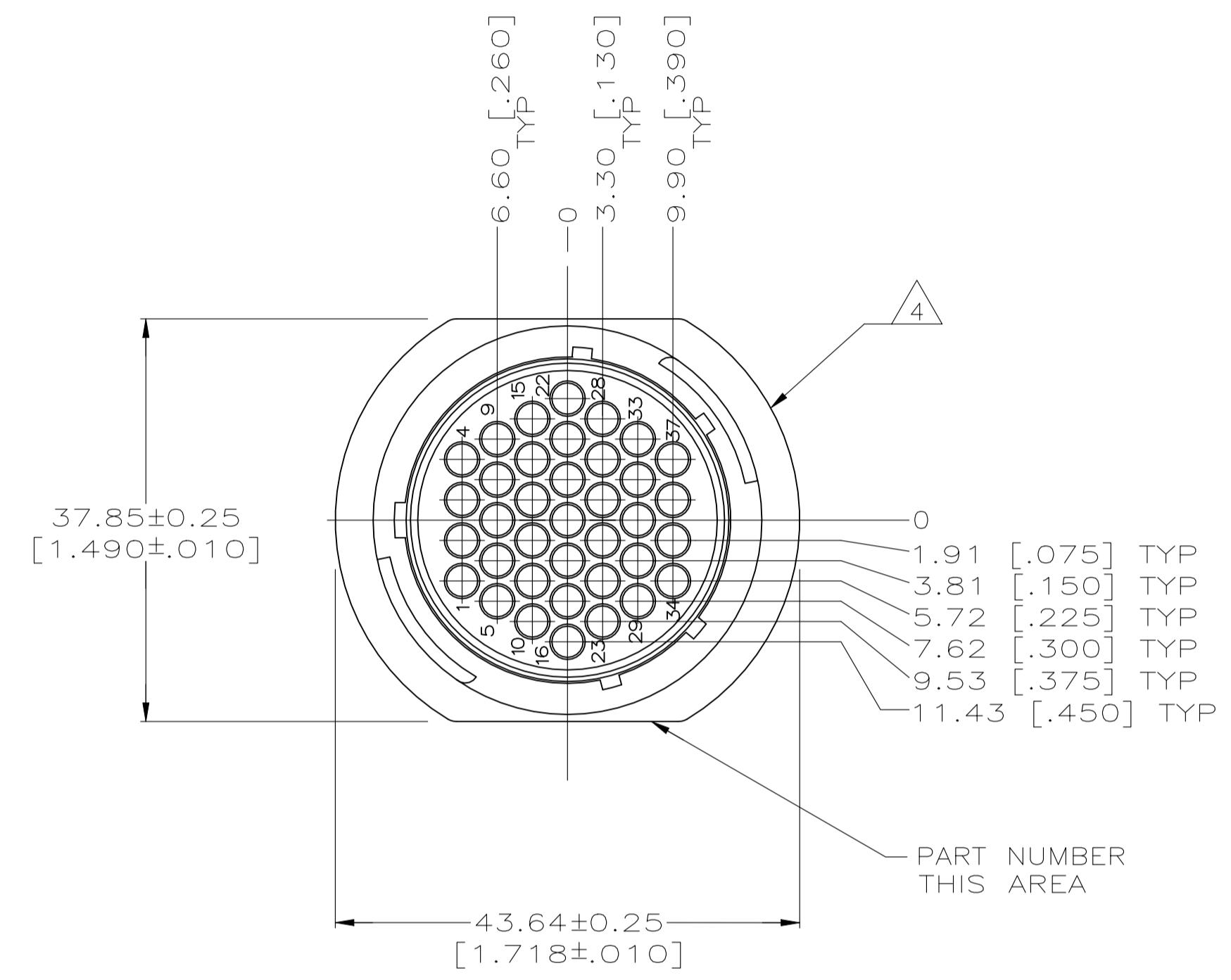


REVISIONS					
P	LTR	DESCRIPTION	DATE	DN	APVD
D		REVISED PER ECO-21-006945	28OCT2021	RK	MZ



- 1. ADAPTER AND HOUSING: NYLON, BLACK.
WIRE ENTRY SEAL: ELASTOMER, RED-IRON OXIDE.
PERIPHERAL SEAL: ELASTOMER, BLACK.
- 2. CONNECTOR WILL ACCEPT (37) MULTIMATE PIN CONTACTS.
- 3. ORIENTATION HOLE USED IN THE MANUFACTURING PROCESS ONLY.
THIS HOLE IS NOT INTENDED FOR WIRE INSERTION.
- 4. TE LOGO LOCATED ON ANY FLANGE EDGE

796287-1
PART NUMBER

THIS DRAWING IS A CONTROLLED DOCUMENT.		DIN C. DORWART 11 NOV 98	
DIMENSIONS: INCHES		CHK K. DOWHOWER 15NOV99	
TOLERANCES UNLESS OTHERWISE SPECIFIED:		APVD K. DOWHOWER 15NOV99	NAME RCPT ASSY, SIZE 23-37, STANDARD SEX, FREE HANGING, SEALED CIRCULAR PLASTIC CONN
0. PLC ± -		PRODUCT SPEC 108-1579	
1. PLC ± -		APPLICATION SPEC	SIZE A1 CAGE CODE 00779 DRAWING NO. 796287 RESTRICTED TO
2. PLC ± ± 0.13(.005)		WEIGHT	
3. PLC ± -		CUSTOMER DRAWING	SCALE 2:1 SHEET 1 of 1 REV D
4. PLC ANGLES ± -			
MATERIAL			