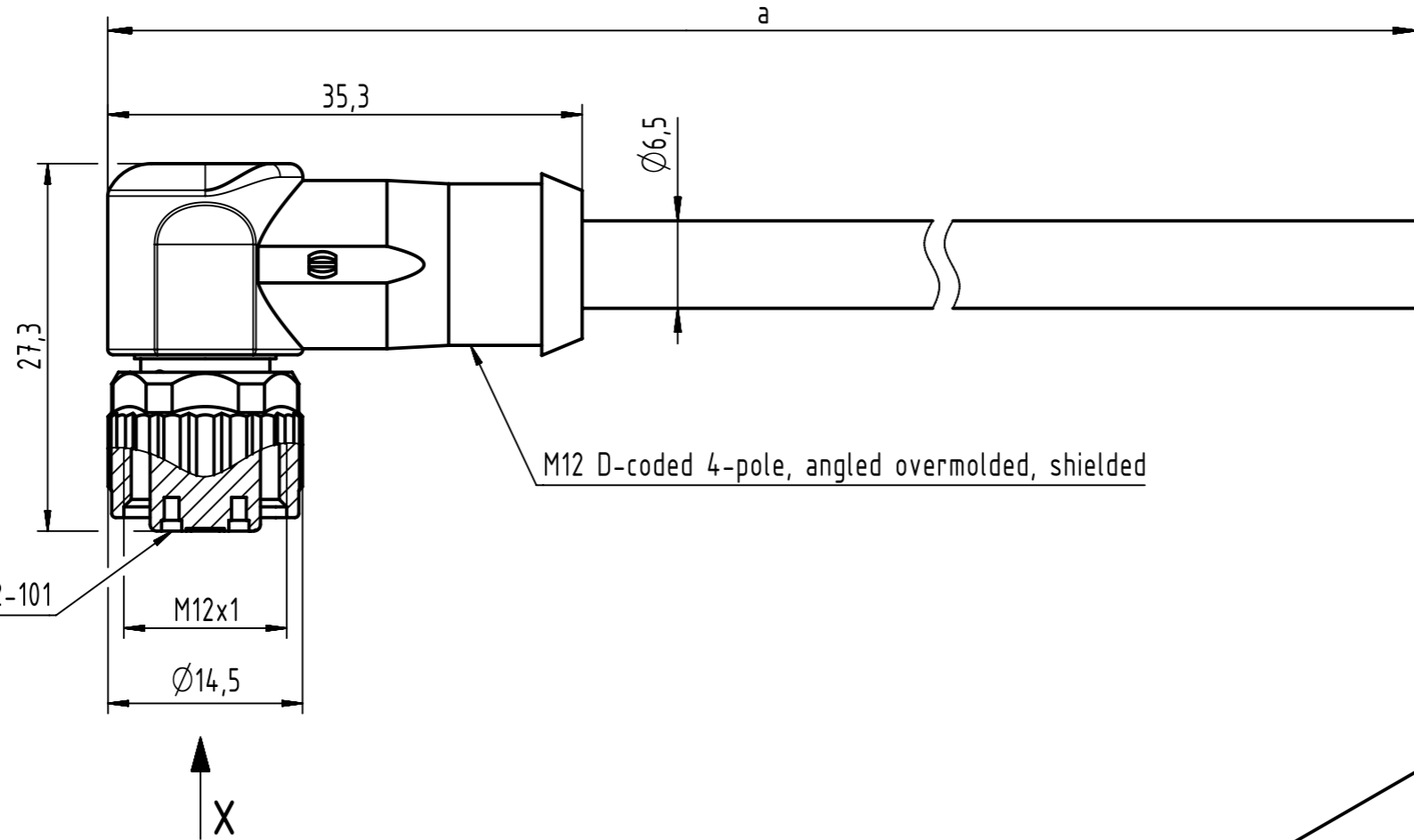


Connector Location A

Connector Location B



E500416

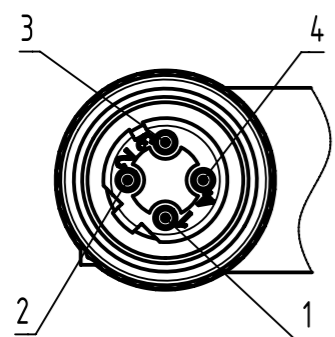


M12 D-coded 4-pole, angled overmolded, shielded

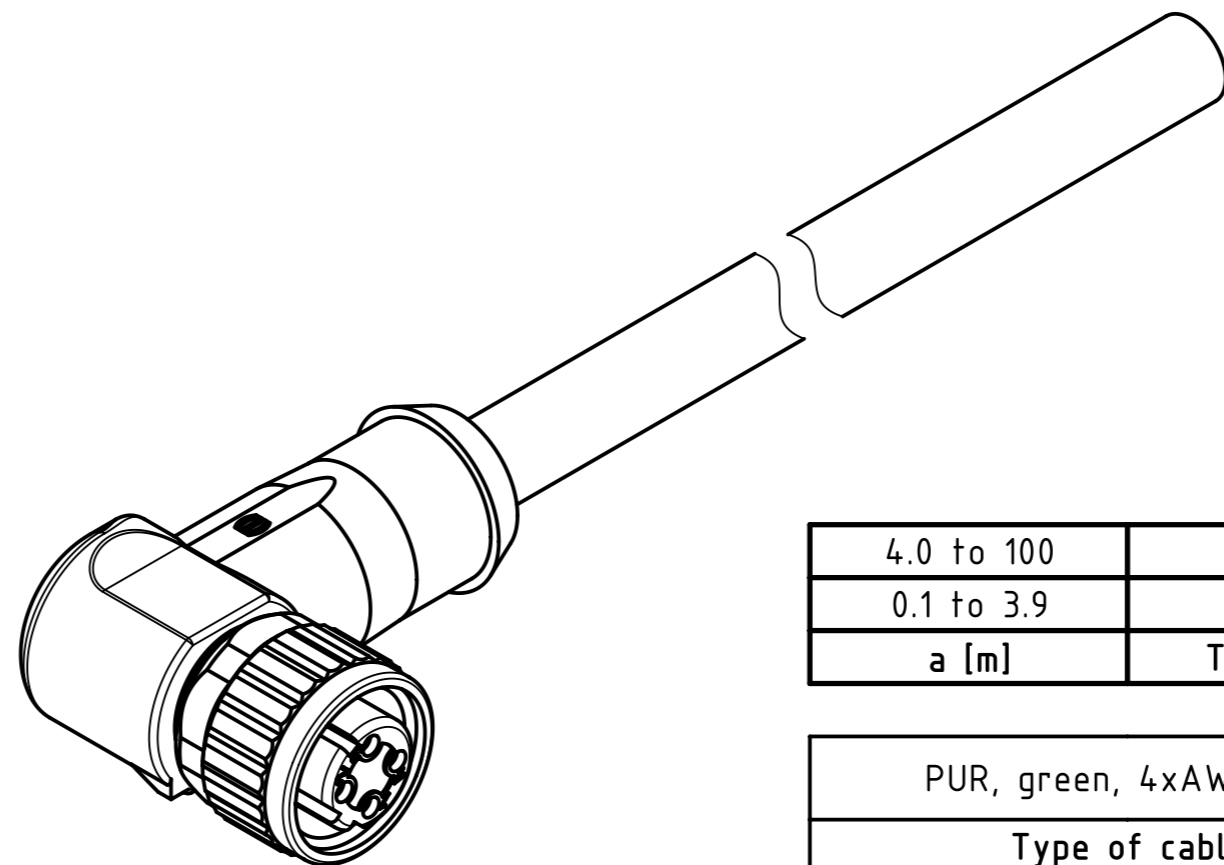
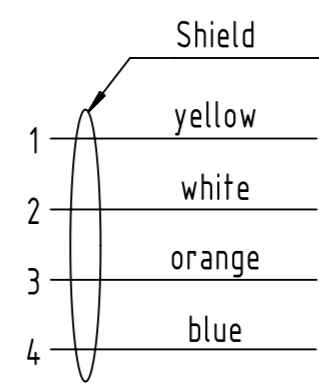
Mating face acc. to IEC 61076-2-101

X

X female



Loading-Plan:



4.0 to 100	±1%
0.1 to 3.9	+0.04
a [m]	Tolerance

length in "1m" step	100	XXX=000
	99	XXX=990
	.	.
	12	XXX=120
	11	XXX=110
length in "0.1m" step	10	XXX=100
	9.9	XXX=099
	9.8	XXX=098
	.	.
	0.4	XXX=004
	0.3	XXX=003
	0.2	XXX=002
0.1	XXX=001	
Step	a [m]	XXX

PUR, green, 4xAWG22/7	21349500477XXX
Type of cable	Part no.

- Protection level: IP67
- Temperature range: -30°C ... +70°C

	All rights reserved		Created by COSTEA Costea		Inspected by STOCHECIC Stocheci		Standardisation MUNTEANV Muntean		Date 2018-12-12		State Final Release	
	Department HCS - RO		Title M12 Cable Assembly D-cod an/- f/-		Doc-Key / ECM-Nr. 100807634/UGD/000/A 500000144262		Rev. A		Page 1/1			
HARTING Customised Solutions D-32339 Espelkamp			Type TB		Number 21349500477XXX							