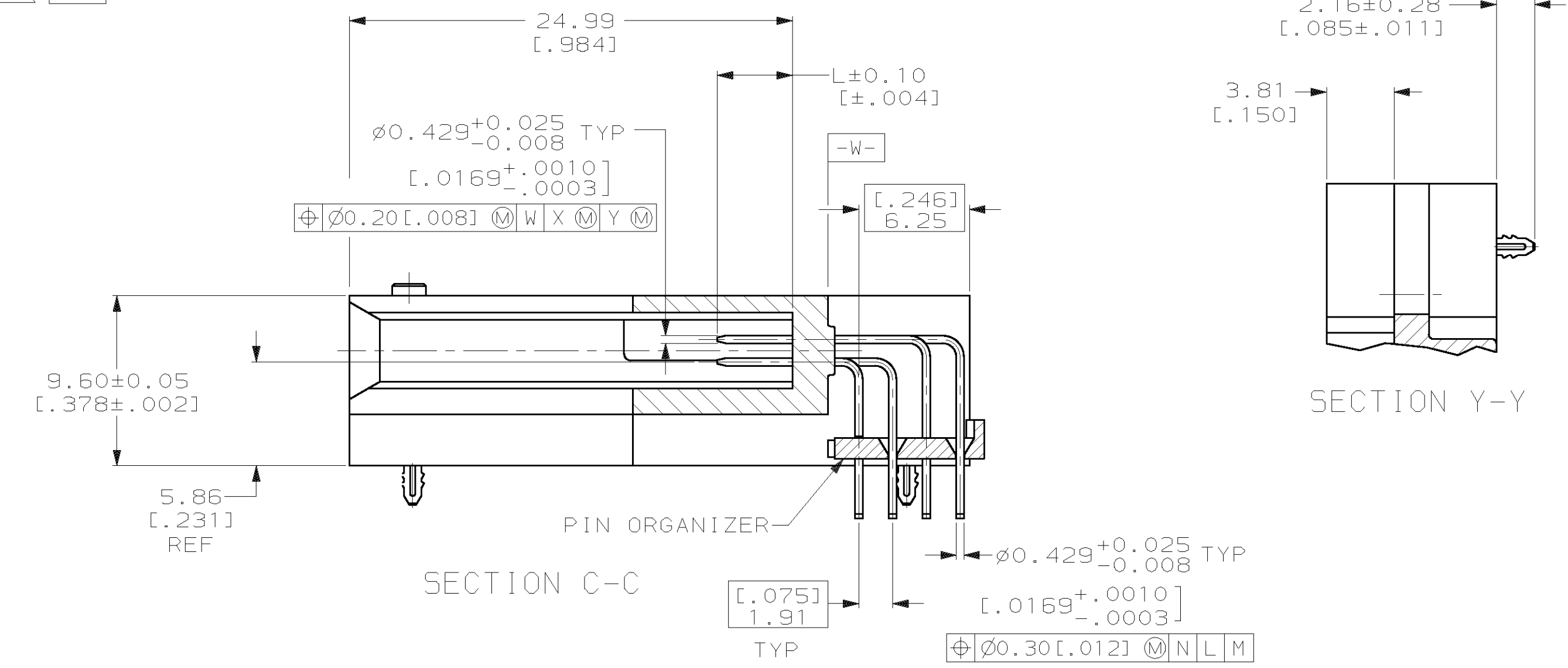
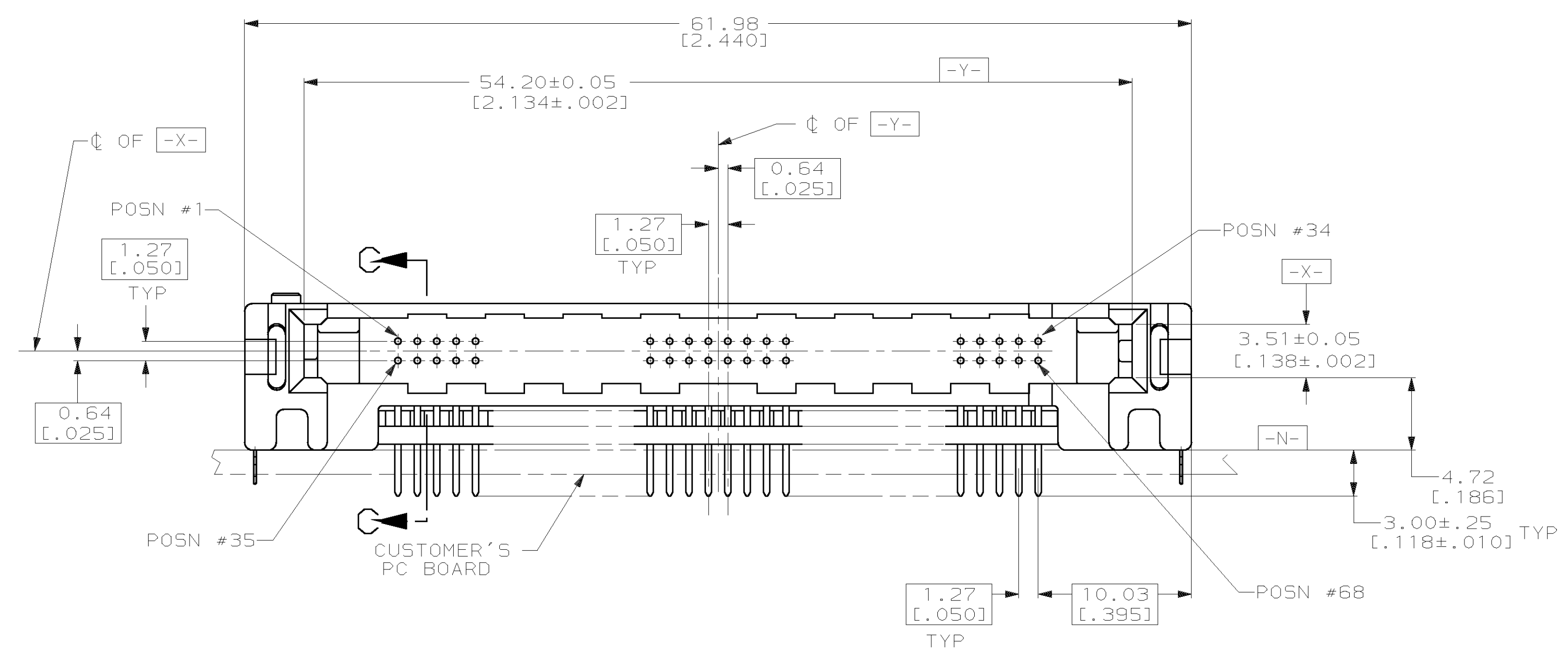
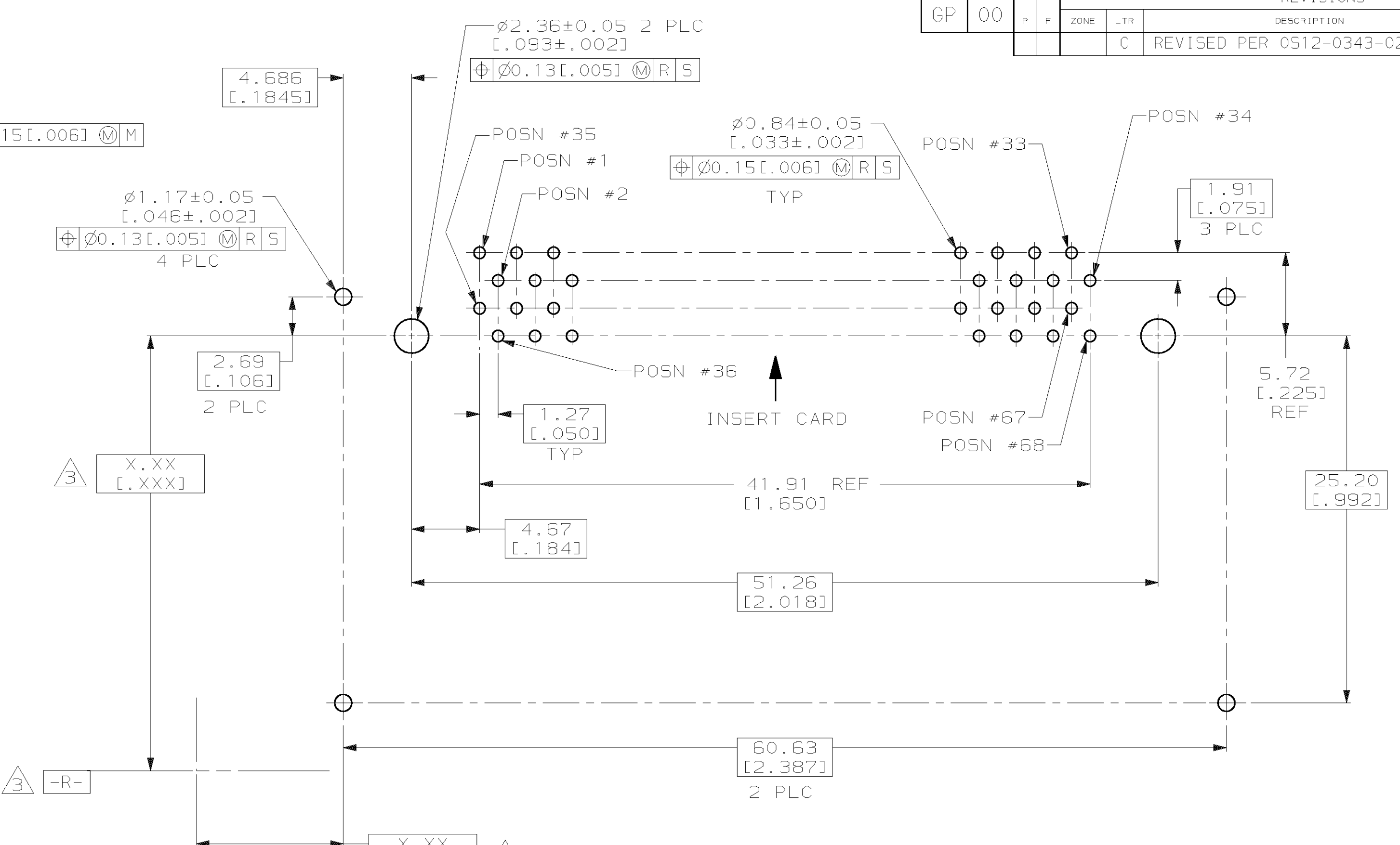
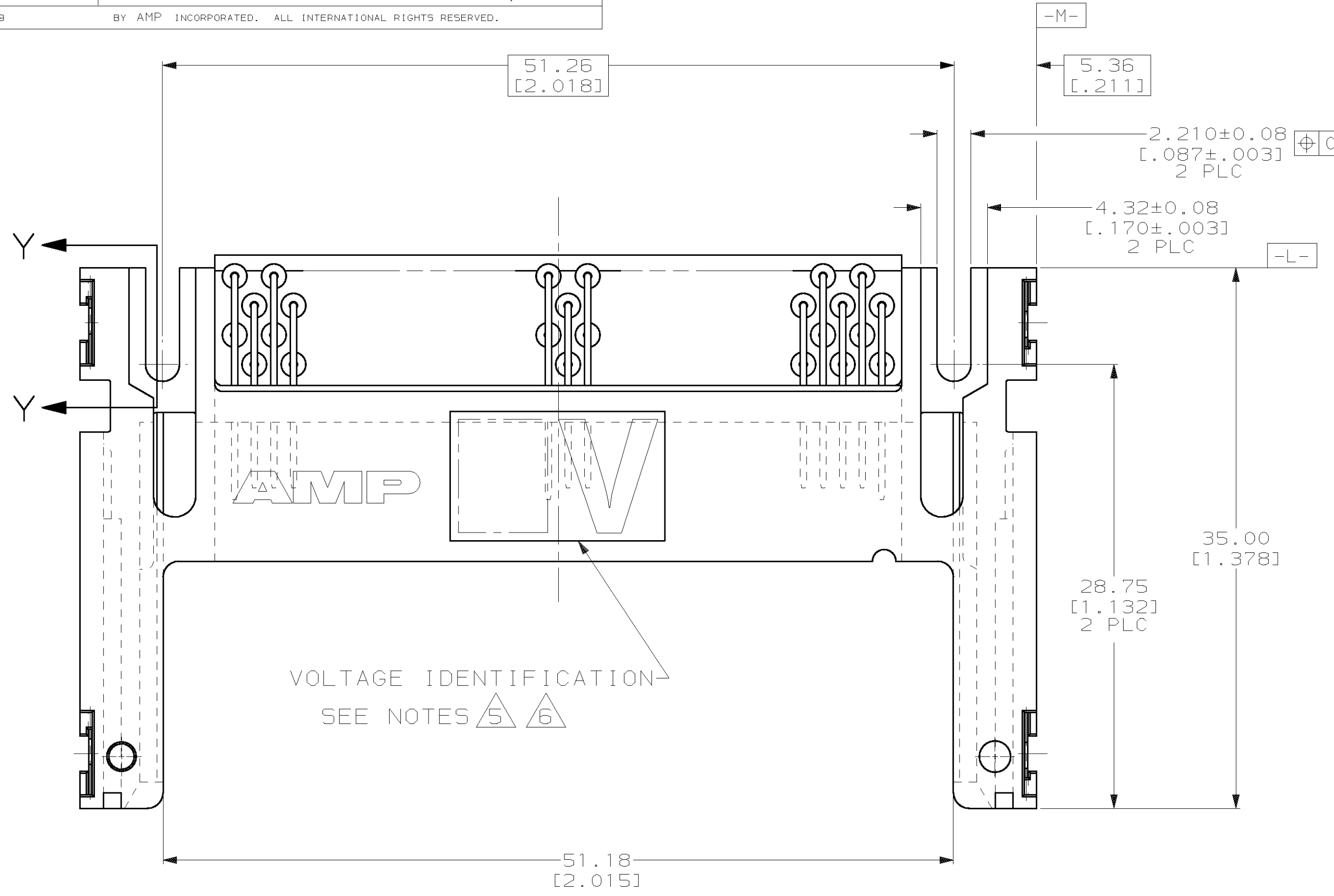


LOC		DIST		P		F		ZONE		LTR		REVISIONS			
GP	00											DESCRIPTION	DATE	APPD	
												C	REVISED PER 0512-0343-02	11SEP02	RHW



- 1 0.00076[0.000030] MINIMUM GOLD IN CONTACT AREA, 0.00381[0.000150] MINIMUM TIN-LEAD ON SOLDER TAILS, ALL OVER 0.00127[0.000050] MINIMUM NICKEL
- 2 CUSTOMER TO PROVIDE CARD GUIDANCE SYSTEM
- 3 DATUMS AND BASIC DIMENSIONS ESTABLISHED BY CUSTOMER
- 4 CONNECTOR REQUIRES USE OF 2 - SIZE 2M SCREWS FOR FASTENING TO PRINTED CIRCUIT BOARD
- 5 ASSEMBLY KEYED FOR 5 VOLT CARDS
- 6 ASSEMBLY KEYED FOR LOW VOLT CARDS (3.3V)

VOLTAGE KEYING & IDENTIFICATION	5.0 [0.197]	4.25 [0.167]	3.5 [0.138]	PART NO
	"L" (PIN LENGTH) AND LOCATION			

DO NOT SCALE PRINT. UNLESS SPECIFIED DIMENSIONS IN mm [INCHES] TOLERANCES ON: 2 PLC DEC ± 0.13 [0.005] 3 PLC DEC ± - ANGLES ± - MATERIAL HOUSING & ORGANIZER: LCP, COLOR: BLACK PIN: BRASS HOLD-DOWN: PHOPHOR BRONZE FINISH PIN: $\Delta$ HOLD-DOWN: TIN PLATED	DR 3/8/93 J MOSER CHK 3/8/93 B ELICKER APPD 3/8/93 B ELICKER APPD 3/8/93 B FLINCHBAUGH PRODUCT SPEC - APPLICATION SPEC - WEIGHT 8.5 GRAMS	Tyco Electronics Harrisburg, PA 17105-3608 NAME PIN HEADER ASSY, 68 POSN, RAISED HT, TOP BD MTG, THRU-HOLE, WITH HOLD-DOWNS, AMP MEMORY CARD SIZE $\Delta$ CAGE CODE 00779 DRAWING NO C-535660 SCALE 4:1 SHEET 1 OF 1
---	---	--

THIS DRAWING IS A CONTROLLED DOCUMENT FOR AMP INCORPORATED. IT IS SUBJECT TO CHANGE AND THE CONTROLLING ENGINEERING ORGANIZATION SHOULD BE CONTACTED FOR THE LATEST REVISION.