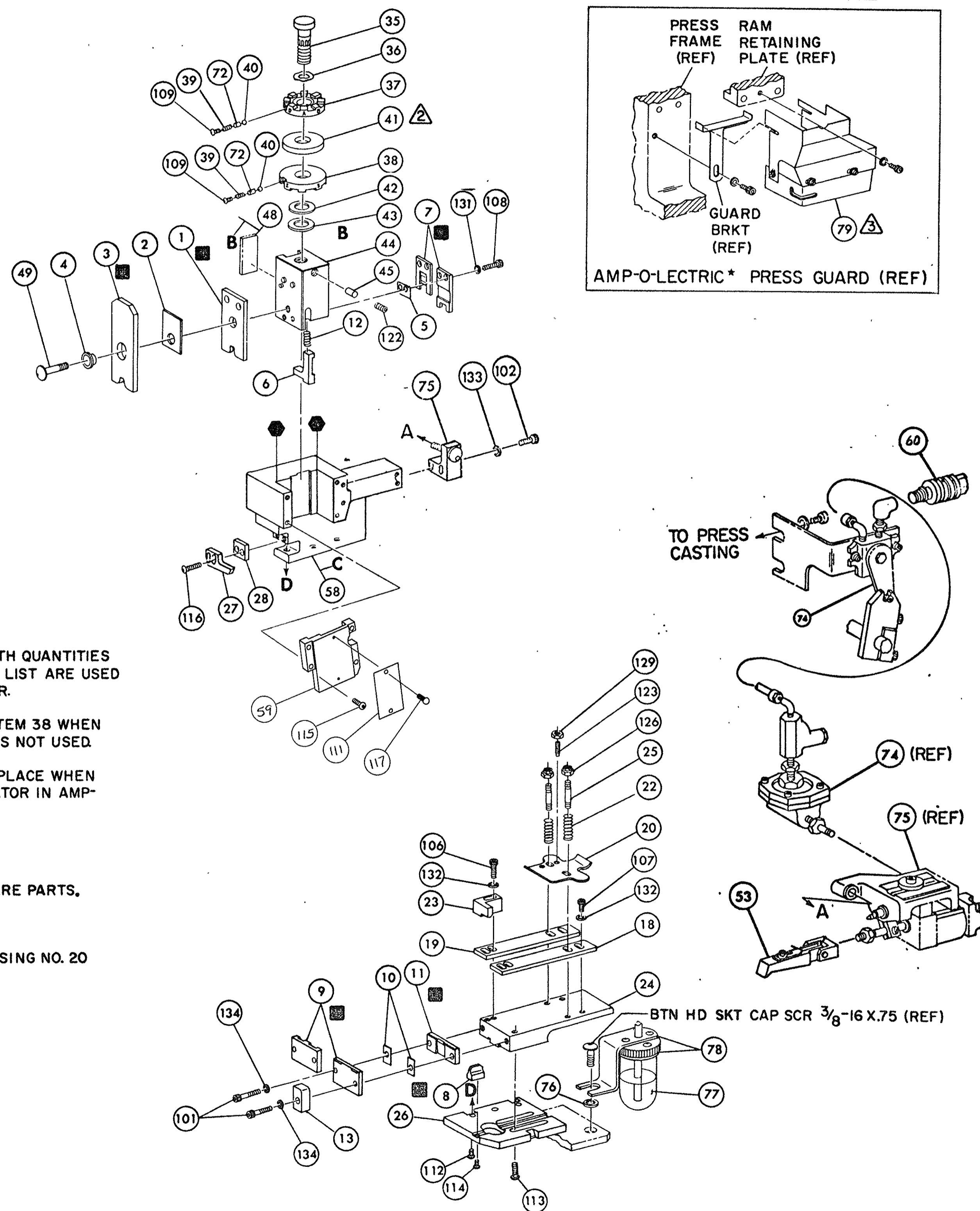


THIS DRAWING IS A CONTROLLED DOCUMENT.

THIS DRAWING IS UNCLASSIFIED DATE 01/11/01 BY AMP INCORPORATED. ALL RIGHTS RESERVED.

DIST 66

AMP 3076-2 REV 8-74



NOTES:

1 ONLY THE ITEMS WITH QUANTITIES SPECIFIED ON PARTS LIST ARE USED ON THIS APPLICATOR.

▲ USED IN PLACE OF ITEM 38 WHEN INSULATION CRIMP IS NOT USED.

▲ GUARD MUST BE IN PLACE WHEN OPERATING APPLICATOR IN AMP-O-LECTRIC PRESS.

KEY:

■ RECOMMENDED SPARE PARTS.

▲ LUBRICATE DAILY USING NO. 20 MACHINE OIL.

● GREASE LIGHTLY.

QTY	PART NO	DESCRIPTION	ITEM NO	QTY	PART NO	DESCRIPTION	ITEM NO
	21045-3	RING, RETAINING 'C' (.187 DIA) FEED PIN	145	/	454220-1	CAP, RAM	59
	5-21028-1	PIN, SLOT SPG (.12 DIA X .50) FD ADJ ROD	143	/	453736-1	HOUSING	58
	1-21030-7	PIN, DOWEL (.187 DIA X 1.50) HOUSING	141		240624-1	PIN, FEED FINGER	56
	1-21030-1	PIN, DOWEL (.187 DIA X .50) LEVER	140			SPRING, FEED FINGER	55
	22260-5	WASHER, FLAT (NO 6) DRAG SPRING	139	/	460680-2	FINGER, FEED ASS'Y	54
	21899-4	WASHER, FLAT (5/16 DIA) SCR ADJ	138		240634-	LEVER, TERMINAL	53
	21024-5	WASHER, LOCK (NO 10) FEED ADJ PLATE	136				51
2	21024-5	WASHER, LOCK (NO 10) SHEAR PLATES	135	1	7-21002-9	BOLT, CRIMPER	50
2	21024-5	WASHER, LOCK (NO 10) AIR FEED ASS'Y	134			CAM, FEED STROKE	49
5	21024-4	WASHER, LOCK (NO 8) STRIP GUIDE	133				48
2	21024-4	WASHER, LOCK (NO 8) SHEAR BLADE	132				47
			131	1	690191-1	PLUG, NYLON	46
			130	1	455674-1	RAM	45
2	21018-4	NUT, HEX MACH (4-40) DRAG	129	1	690125-1	WASHER, LAMINATED	44
	21068-5	NUT, HEX MACH (6-32) FD ADJ PLATE	128	1	690124-1	WASHER, RAM	43
	21018-7	NUT, HEX MACH (10-32) DRAG SPRING	127			SPACER, DISC	42
2	21022-2	NUT, HEX SELF-LKG (8-32) DRAG STUD	126	2	23241-6	BALL, STEEL	41
	5-21004-7	SCR, SKT HD SHLD (250 DIA X .25) DRAG ARM	125	2	690170-1	SPRING, COMPRESSION	40
	21004-5	SCR, SKT HD SHLD (250 DIA X 1.00) DRAG	124	/	690142-1	DISC, INSULATION	39
2	4-21078-8	SCR, SKT SET OVAL POINT (4-40 X .75) DRAG	123	1	5-692155-0	DISC, WIRE	38
1	21009-2	SCR, SKT SET (1/4-20 X 25) (LOC-WEL) RAM	122	1	22480-5	WASHER, SPRING	37
			121	1	690212-1	POST, RAM	36
	1-21002-7	SCR, BTN HD SKT CAP (6-32 X .38) CAM	120				35
			119				34
	3-21064-2	SCR, RD HD MACH (6-32 X 1.50) FEED ADJ	118		458980-	APPLICATOR, BASIC (SUB ASSY)	33
2	21017-2	SCR, DRIVE (#2 X .19) ID PLATE	117				32
2	2-21002-2	SCR, BTN HD SKT CAP (8-32 X .50) STRIPPER	116				31
4	2-21002-9	SCR, BTN HD SKT CAP (10-32 X .75) HSG CAP	115				30
1	22733-8	SCR, BTN HD SKT CAP (8-32 X .38) (LOC-WEL) ANVIL	114	/	3-690451-2	SPACER, STRIPPER	29
4	3-21002-3	SCR, BTN HD SKT CAP (1/4-20 X .50) STR GDE PL	113	/	692967-1	STRIPPER	28
3	2-22733-9	SCR, BTN HD SKT CAP (1/4-20 X .75) BASE PL	112	/	455676-1	PLATE, BASE	27
1	461264-1	PLATE, ID	111	2	22354-8	DRAG, STUD	26
	2-21000-4	SCR, SKT HD CAP (6-32 X 1.00) DRAG ADAPTOR	110	1	455678-1	PLATE, STRIP GUIDE	25
2	23030-1	SCR, SKT HD CAP (6-32 X .25) (LOC-WEL) CP DISC	109	/	240825-3	PLATE, STRIP HOLD	24
2	2-21000-8	SCR, SKT HD CAP (8-32 X .62) SHEAR BLADE	108	2	4-22281-1	SPRING, DRAG	23
3	2-21000-6	SCR, SKT HD CAP (8-32 X .38) STRIP GUIDE	107		240636-1	LEVER, DRAG	22
2	2-21000-9	SCR, SKT HD CAP (8-32 X .75) STRIP GUIDE	106	1	454177-1	DRAG, STOCK	21
	3-21000-7	SCR, SKT HD CAP (10-32 X .75) FD ROD GUIDE	105	1	454204-3	GUIDE, STRIP (REAR)	20
	3-21000-9	SCR, SKT HD CAP (10-32 X 1.00) DRAG SPRING	104	1	454204-3	GUIDE, STRIP (FRONT)	19
	3-21000-6	SCR, SKT HD CAP (10-32 X .62) FD ADJ PLATE	103		454178-1	GUIDE, FEED ROD	18
2	3-21000-9	SCR, SKT HD CAP (10-32 X 1.00) AIR FEED ASSY	102		4-22284-9	SPRING, FEED RETURN	17
2	3-21000-8	SCR, SKT HD CAP (10-32 X .88) SHEAR PLATE	101			ADAPTER, DRAG	16
1	455750-8	GUARD ASS'Y	79				15
	465184-9	LUBRICATOR ASSY	78	/	690481-4	SPACER, HOLD DOWN	14
	455985-1	OIL, LUBRICATING	77	/	23846-1	SPRING, HOLD DOWN	13
	454406-1	SPACER, LUB BRACKET	76	/	240644-3	PLATE, REAR SHEAR	12
1	460277-1	AIR FEED ASSY	75	2	1-240645-1	SPACER, SHEAR PLATE	11
1	692655-1	AIR FEED VALVE ASSY - 692655-5	74	/	240642-4	PLATE, FRONT SHEAR	10
	458109-1	WASHER, FLAT (SPECIAL)	73	1	6-240693-9	ANVIL	9
2	690603-1	SPRING, ASSIST	72	1	2-240651-8	BLADE, SLUG	8
	690517-1	SPACER	71	/	455892-5	HOLD DOWN, TERMINAL	7
	22594-8	NUT, HEX	70	/	4-240641-5	SPACER, SHEAR BLADE	6
	240628-1	PLATE, ADJ	69	/	238009-1	SPACER, TUBULAR	5
	240626-1	SHAFT, PIVOT	68	/	456134-6	CRIMPER, INSULATION	4
	240633-1	BUSHING	67	/	455888-7	SPACER, INSULATION	3
	455680-1	LEVER, INTERMEDIATE	66	1	2-456407-9	CRIMPER, WIRE	2
	240629-1	BLOCK, PIVOT	65				1
	240632-2	SCREW, ADJ	64				
	240659-3	PIN, CAM ROLLER	63				
	240658-1	CAM, ROLLER	62				
	454398-1	ROD, FEED	61				
1	24042-2	VALVE, SHUT-OFF	60				

REMARKS	NO	REV
	TO APPLY TERMINAL SPEC 114-2017	
PPL USED ON MACHINE PART NO	MACH SERIAL NO	DISTRIBUTION
CUSTOMER NAME	APPL SERIAL NO	ORIGINAL
ADDRESS	PURCHASE ORDER	CUSTOMER COPY
CITY	ENG APP	FIELD ENG COPY

CRIMPING DATA				APPLICATOR WILL APPLY	
PAD LTR	CRIMP HEIGHT	WIRE SIZE	WIRE STRIP LENGTH		
A	.077	14			61412
B	.067	16			61597
C	.060	18			61790
D	NOT USED				
CRIMP	SIZE	TYPE	FEED	APPL INST	
WIRE	.100	F	.895	A1 8039	
INSUL	.180	F			
WIRE RANGE	18-14	INSULATION RANGE	120-.175	PRESS NO	565435-5
REMARKS	PRE-FEED AMP-O-LECTRIC AIR FEED				

ECN 0150-9329-99	TR 5-99	SET UP PAGE 10-1	AMP INCORPORATED
ECN 0150-7376-96	TR 11/98	458638-1379	Harrisburg, Pa.
ECN AIG5288	TR 12-88	DR 8-23-76 APP 8/30/88	
REV PER ECN R 5477	TR 11/98		
REV PER ECN R 4048	TR 11/98		
ADD TERM 61597 PER R 3638	TR 7-80		
ADD TERM 61412 PER R 3209	TR 9-79		
ECN 0150-0287-04	TR 3-84		
0150-0563-02	TR 4-82		
ADD TERM 61412 PER R 3209	TR 9-79		

NAME: MINIATURE QUICK CHANGE APPLICATOR
END FEED (.180 DIA. SHUR PLUG)