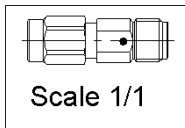
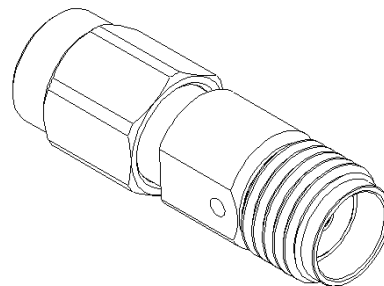
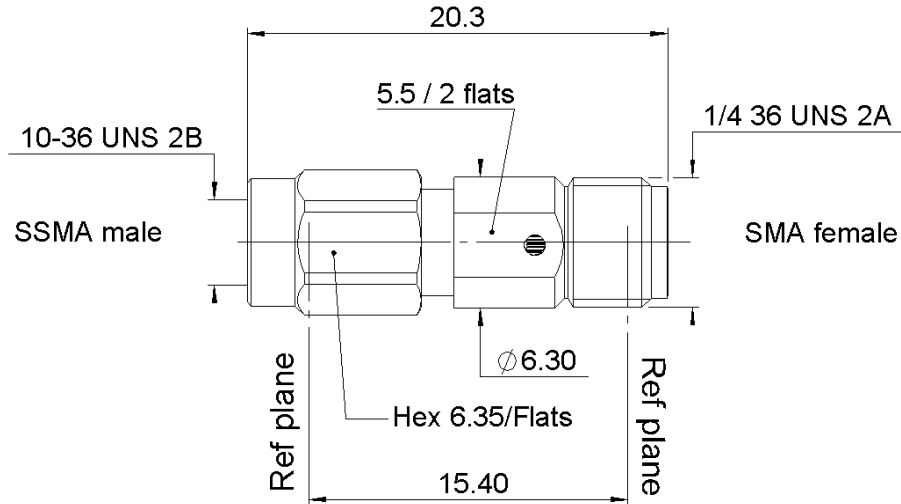
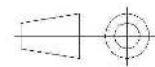


PAGE 1/2	ISSUE 1338A	SERIES ADAPT-S	PART NUMBER R191348000
----------	-------------	----------------	------------------------



All dimensions are in mm.



COMPONENTS	MATERIALS	PLATING (µm)
Body	BERYLLIUM COPPER	GOLD OVER NICKEL
Center contact	BERYLLIUM COPPER	GOLD OVER NICKEL
Outer contact	-	-
Insulator	PTFE	-
Gasket	SILICONE RUBBER	-
Others parts	STAINLESS STEEL	PASSIVATED.
-	-	-
-	-	-

PAGE 2/2	ISSUE 1338A	SERIES ADAPT-S	PART NUMBER R191348000
----------	-------------	----------------	------------------------

PACKAGING

Standard	Unit	Other
1	Contact us	Contact us

ELECTRICAL CHARACTERISTICS

Impedance		50	Ω
Frequency		0-18	GHz
VSWR	1.06	+	0.0150 x F(GHz) Maxi
Insertion loss		0.05	\sqrt{F} (GHz) dB Maxi
RF leakage	- (90	- F(GHz) dB Maxi
Voltage rating		250	Veff Maxi
Dielectric withstanding voltage		750	Veff mini
Insulation resistance		5000	M Ω mini

ENVIRONMENTAL

Operating	-65/+105	$^{\circ}\text{C}$
Hermetic seal	NA	Atm,cm3/s
Panel leakage		

MECHANICAL CHARACTERISTICS

Center contact retention			
Axial force – Mating End		22	N mini
Axial force – Opposite end		22	N mini
Torque		NA	N.cm mini

SPECIFICATION

Recommended torque			
Mating		110	N.cm
		0	N.cm
		0	N.cm
Panel nut		NA	N.cm

OTHER CHARACTERISTICS

Mating life	500	Cycles mini
Weight	3.2570	g