

## Flange plate robot application

FLAN-PL YAS-3

Part no...:10.03.01.00471

<https://www.schmalz.com/10.03.01.00471>

Home > Vacuum Technology for Automation > Vacuum Components > Vacuum Generators > Vacuum Generators End-of-Arm > FLAN-PL YAS-3

### Flange plate (round)

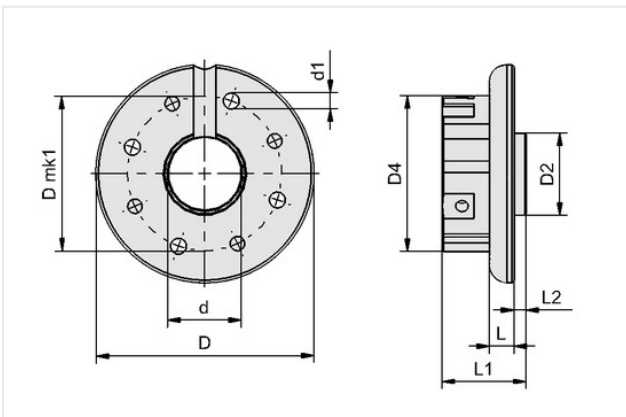


Length L: 10 mm

Type: YAS-3

Type: Motoman-HC10DT

### Design Data



Attribute	Value
d	30 mm
d1	6.60 mm
D	89 mm
D mk1	63 mm
D2	34 mm
D4	63.50 mm
L	10 mm
L1	34.30 mm
L2	5 mm

### Contact Schmalz

Schmalz Inc. | 5850 Oak Forest Drive, Raleigh, NC 27616, United States | +1 (919) 713-0880 | [schmalz.us@schmalz.com](mailto:schmalz.us@schmalz.com)